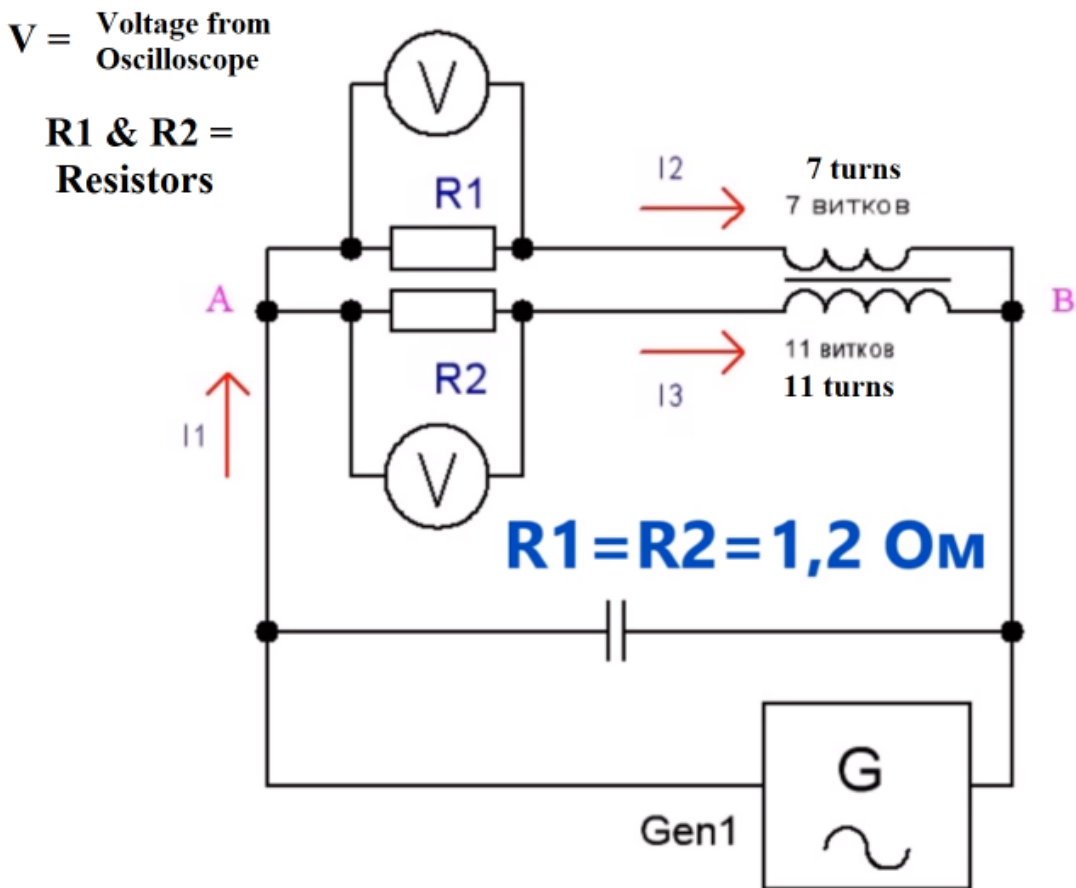


File:07 - Setup for taking voltage measurements.svg

From Wikimedia Commons, the free media repository



Size of this PNG preview of this SVG file: 800×600 pixels.

[Original file](#) (SVG file, nominally $1,600 \times 1,200$ pixels, file size: 320 KB)

Captions


Captions

English

A plan is diagrammatically laid out of where, and how, to arrange the components of this experimental circuit.

Summary

Description **English:** A plan is diagrammatically laid out of where, and how, to arrange the components of this experimental circuit in order to measure the amperage and the voltage of its branches of current. I have permission from the author of this video to post

	screenshots of his video on Wikimedia Commons if I also provide a link-back to his video (https://www.youtube.com/watch?v=XInN3jk1Hy0).
Date	8 November 2022
Source	Own work
Author	Vinyasi
Permission (Reusing this file)	<div style="display: flex; align-items: flex-start;"> <div style="flex: 1; border: 1px solid #ccc; padding: 10px; margin-right: 10px;">  </div> <div style="flex: 2; padding: 10px;"> <p>This work is free and may be used by anyone for any purpose. If you wish to use this content, you do not need to request permission as long as you follow any licensing requirements mentioned on this page.</p> <p>The Wikimedia Foundation has received an e-mail confirming that the copyright holder has approved publication under the terms mentioned on this page. This correspondence has been reviewed by a Volunteer Response Team (VRT) member and stored in our permission archive. The correspondence is available to trusted volunteers as ticket #2022110910014693 (https://ticket.wikimedia.org/otrs/index.pl?Action=AgentTicketZoom&TicketNumber=2022110910014693).</p> <p>If you have questions about the archived correspondence, please use the VRT noticeboard. Ticket link: https://ticket.wikimedia.org/otrs/index.pl?Action=AgentTicketZoom&TicketNumber=2022110910014693</p> <p>Find other files from the same ticket: 🔍</p> </div> </div>

Licensing

I, the copyright holder of this work, hereby publish it under the following license:

This file is licensed under the [Creative Commons Attribution-Share Alike 4.0 International](https://creativecommons.org/licenses/by-sa/4.0/deed.en) (<https://creativecommons.org/licenses/by-sa/4.0/deed.en>) license.

You are free:

- **to share** – to copy, distribute and transmit the work
- **to remix** – to adapt the work

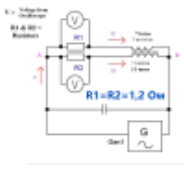
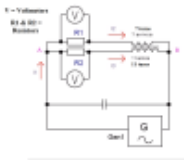
Under the following conditions:

- **attribution** – You must give appropriate credit, provide a link to the license, and indicate if changes were made. You may do so in any reasonable manner, but not in any way that suggests the licensor endorses you or your use.
- **share alike** – If you remix, transform, or build upon the material, you must distribute your contributions under the same or compatible license (<https://creativecommons.org/share-your-work/licensing-considerations/compatible-licenses>) as the original.



File history

Click on a date/time to view the file as it appeared at that time.

	Date/Time	Thumbnail	Dimensions	User	Comment
current	<u>01:57, 9 November 2022</u>		1,600 × 1,200 (320 KB)	Vinyasi (talk contribs)	{{Information Description={{en 1=A plan is diagrammatically laid out of where, and how, to arrange the components of this experimental circuit in order to measure the amperage and the voltage of its branches of current. I have permission from the author of this video to post screenshots of his video on Wikimedia Commons if I also provide [https://www.youtube.com/watch?v=XInN3jk1Hy0 a link-back to his video].}} Source={{own}} Date= Author= Vinyasi Permission= other_versi...
	<u>19:26, 8 November 2022</u>		1,600 × 1,200 (253 KB)	Vinyasi (talk contribs)	Uploaded own work with UploadWizard

You cannot overwrite this file.

File usage on Commons

There are no pages that use this file.

File usage on other wikis

The following other wikis use this file:

- Usage on en.wikibooks.org
 - User:Vinyasi/sandbox
 - Free Energy does not Exist
- Usage on en.wikiversity.org
 - Free Energy does not Exist

Metadata

This file contains additional information such as Exif metadata which may have been added by the digital camera, scanner, or software program used to create or digitize it. If the file has been modified from its original state, some details such as the timestamp may not fully reflect those of the original file. The timestamp is only as accurate as the clock in the camera, and it may be completely wrong.

Width	1600
-------	------

Height

1200

Structured data

Items portrayed in this file

depicts

creator

some value

- author name string: [Vinyasi](#)
- Wikimedia username: [Vinyasi](#)
- URL: <https://commons.wikimedia.org/wiki/User:Vinyasi>

copyright status

copyrighted

copyright license

Creative Commons Attribution-ShareAlike 4.0 International

source of file

original creation by uploader

inception

8 November 2022

Wikimedia VRTS ticket number

2022110910014693

This page was last edited on 10 November 2022, at 09:46.

Files are available under licenses specified on their description page. All structured data from the file namespace is available under the Creative Commons CC0 License; all unstructured text is available under the Creative Commons Attribution-ShareAlike License; additional terms may apply. By using this site, you agree to the Terms of Use and the Privacy Policy.