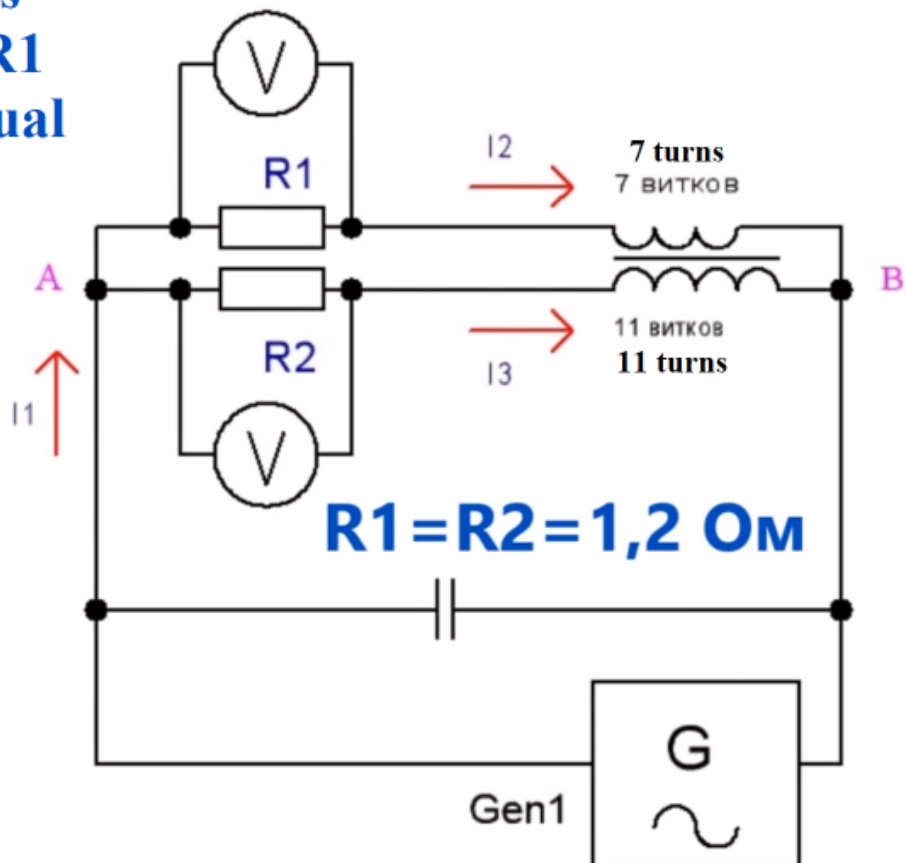


File:15 - Total and individual resistances.svg

From Wikimedia Commons, the free media repository

The resistances
for resistors: R1
and R2 are equal
to each other
at: 1.2 Ohms.



Size of this PNG preview of this SVG file: 800×600 pixels.

Original file (SVG file, nominally $1,600 \times 1,200$ pixels, file size: 366 KB)

Captions

Captions

English Total and individual resistances.

Summary

Description	English: I have permission from the author of this video to post screenshots of his video on Wikimedia Commons if I also provide a link-back to his video (https://www.youtube.com/watch?v=XInN3jk1Hy0).
Date	8 November 2022

Source	Own work
Author	Vinyasi

Licensing

I, the copyright holder of this work, hereby publish it under the following license:

This file is licensed under the [Creative Commons Attribution-Share Alike 4.0 International \(https://creativecommons.org/licenses/by-sa/4.0/deed.en\)](https://creativecommons.org/licenses/by-sa/4.0/deed.en) license.

You are free:

- **to share** – to copy, distribute and transmit the work
- **to remix** – to adapt the work

Under the following conditions:

- **attribution** – You must give appropriate credit, provide a link to the license, and indicate if changes were made. You may do so in any reasonable manner, but not in any way that suggests the licensor endorses you or your use.
- **share alike** – If you remix, transform, or build upon the material, you must distribute your contributions under the same or compatible license (<https://creativecommons.org/share-your-work/licensing-considerations/compatible-licenses>) as the original.



File history

Click on a date/time to view the file as it appeared at that time.

	Date/Time	Thumbnail	Dimensions	User	Comment
current	19:30, 8 November 2022		1,600 × 1,200 (366 KB)	Vinyasi (talk contribs)	Uploaded own work with UploadWizard

You cannot overwrite this file.

File usage on Commons

There are no pages that use this file.

File usage on other wikis

The following other wikis use this file:

- Usage on en.wikibooks.org
 - [User:Vinyasi/sandbox](#)
 - [Free Energy does not Exist](#)

Metadata

This file contains additional information such as Exif metadata which may have been added by the digital camera, scanner, or software program used to create or digitize it. If the file has been modified from its original state, some details such as the timestamp may not fully reflect those of the original file. The timestamp is only as accurate as the clock in the camera, and it may be completely wrong.

Width	1600
Height	1200

Structured data

Items portrayed in this file

depicts

Retrieved from "https://commons.wikimedia.org/w/index.php?title=File:15_-_Total_and_individual_resistances.svg&oldid=703883242"

This page was last edited on 8 November 2022, at 19:30.

Files are available under licenses specified on their description page. All structured data from the file namespace is available under the Creative Commons CC0 License; all unstructured text is available under the Creative Commons Attribution-ShareAlike License; additional terms may apply. By using this site, you agree to the Terms of Use and the Privacy Policy.