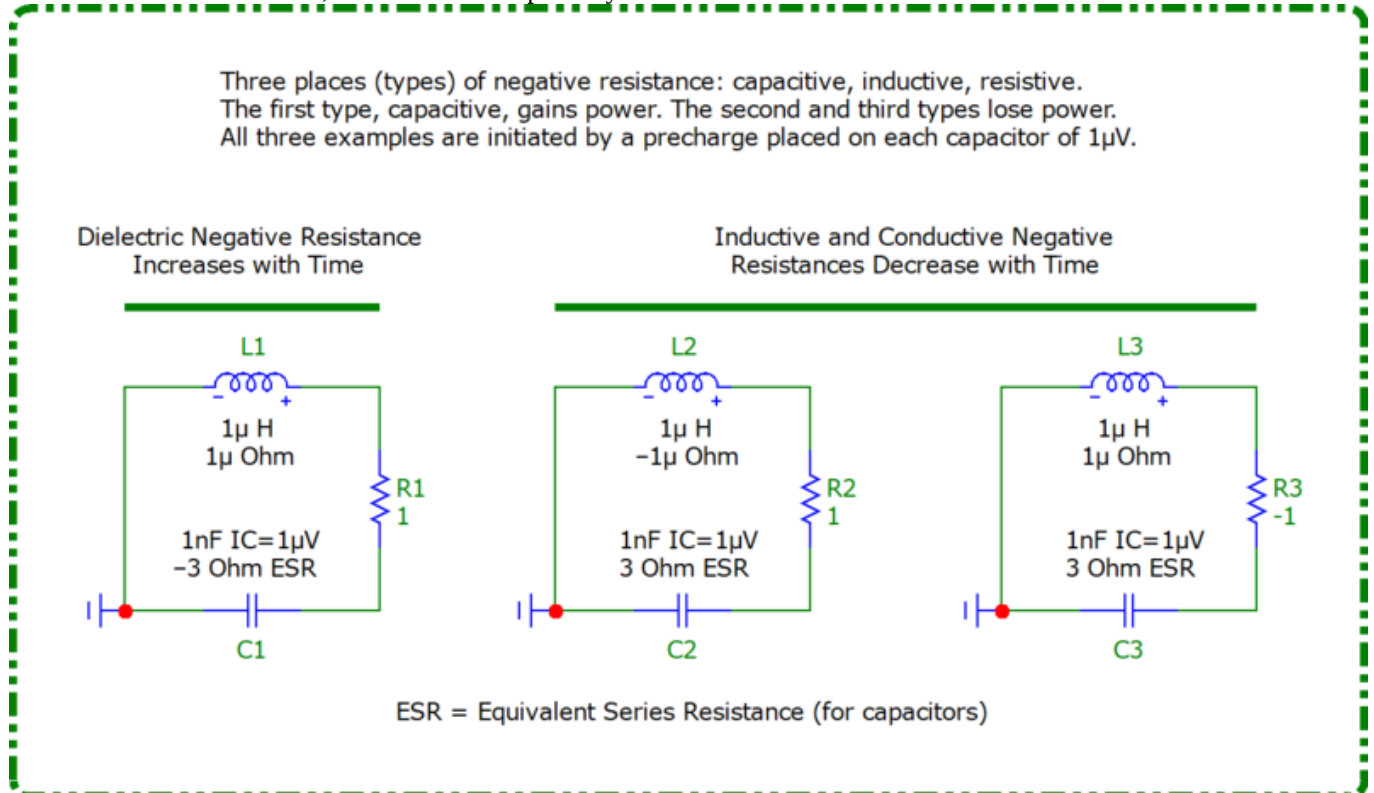


# File: Moon, schematic.png

From Wikimedia Commons, the free media repository



Size of this preview:  $800 \times 468$  pixels.

Original file ( $1,364 \times 798$  pixels, file size: 44 KB, MIME type: image/png)

## Captions

### Captions

English      The behavior of negative resistance is determined by what type of component (under simulation) possesses it.

## Summary

<b>Description</b>	<b>English:</b> Negative resistance ( <a href="https://ufile.io/892a7ysb">https://ufile.io/892a7ysb</a> ) will grow in amplitude if it is located within capacitors. It will shrink the amplitude of its output if it is located within inductors or resistors.
<b>Date</b>	19 October 2022
<b>Source</b>	Own work
<b>Author</b>	<u>Vinyasi</u>

## Licensing

I, the copyright holder of this work, hereby publish it under the following license:

This file is licensed under the [Creative Commons Attribution-Share Alike 4.0 International \(http://creativecommons.org/licenses/by-sa/4.0/deed.en\)](http://creativecommons.org/licenses/by-sa/4.0/deed.en) license.

You are free:

- **to share** – to copy, distribute and transmit the work
- **to remix** – to adapt the work




Under the following conditions:

- **attribution** – You must give appropriate credit, provide a link to the license, and indicate if changes were made. You may do so in any reasonable manner, but not in any way that suggests the licensor endorses you or your use.
- **share alike** – If you remix, transform, or build upon the material, you must distribute your contributions under the same or compatible license (<https://creativecommons.org/share-your-work/licensing-considerations/compatible-licenses>) as the original.



## File history

Click on a date/time to view the file as it appeared at that time.

	Date/Time	Thumbnail	Dimensions	User	Comment
current	<a href="#">21:08, 15 November 2022</a>		1,364 × 798 (44 KB)	<a href="#">Vinyasi</a> ( <a href="#">talk</a>   <a href="#">contribs</a> )	{{Information  Description=corrected text typos on schematic; circuit remains the same  Source={{own}}  Date=  Author= <a href="#">Vinyasi</a>  Permission=  other_versions= }}
	<a href="#">01:35, 21 October 2022</a>		1,364 × 798 (44 KB)	<a href="#">Vinyasi</a> ( <a href="#">talk</a>   <a href="#">contribs</a> )	corrected an oversight of incorrect text on the schematic
	<a href="#">21:10, 19 October 2022</a>		1,364 × 798 (44 KB)	<a href="#">Vinyasi</a> ( <a href="#">talk</a>   <a href="#">contribs</a> )	Uploaded while editing "Free Energy does not Exist" on en.wikibooks.org

You cannot overwrite this file.

## File usage on Commons

There are no pages that use this file.

## File usage on other wikis

The following other wikis use this file:

- Usage on en.wikibooks.org

- [User:Vinyasi/sandbox](#)
- [Free Energy does not Exist](#)
- Usage on en.wikiversity.org
  - [Free Energy does not Exist](#)

## Metadata

---

This file contains additional information such as Exif metadata which may have been added by the digital camera, scanner, or software program used to create or digitize it. If the file has been modified from its original state, some details such as the timestamp may not fully reflect those of the original file. The timestamp is only as accurate as the clock in the camera, and it may be completely wrong.

Horizontal resolution	37.79 dpc
Vertical resolution	37.79 dpc

## Structured data

---

### Items portrayed in this file

*depicts*

### creator

#### some value

- author name string: [Vinyasi](#)
- Wikimedia username: [Vinyasi](#)
- URL: <https://commons.wikimedia.org/wiki/User:Vinyasi>

### copyright status

**copyrighted**

### copyright license

**Creative Commons Attribution-ShareAlike 4.0 International**

### inception

**19 October 2022**

**MIME type**

image/png

**source of file**

**original creation by uploader**

---

Retrieved from "[https://commons.wikimedia.org/w/index.php?title=File:Moon,\\_schematic.png&oldid=706584331](https://commons.wikimedia.org/w/index.php?title=File:Moon,_schematic.png&oldid=706584331)"

---

**This page was last edited on 15 November 2022, at 21:08.**

Files are available under licenses specified on their description page. All structured data from the file namespace is available under the Creative Commons CC0 License; all unstructured text is available under the Creative Commons Attribution-ShareAlike License; additional terms may apply. By using this site, you agree to the Terms of Use and the Privacy Policy.