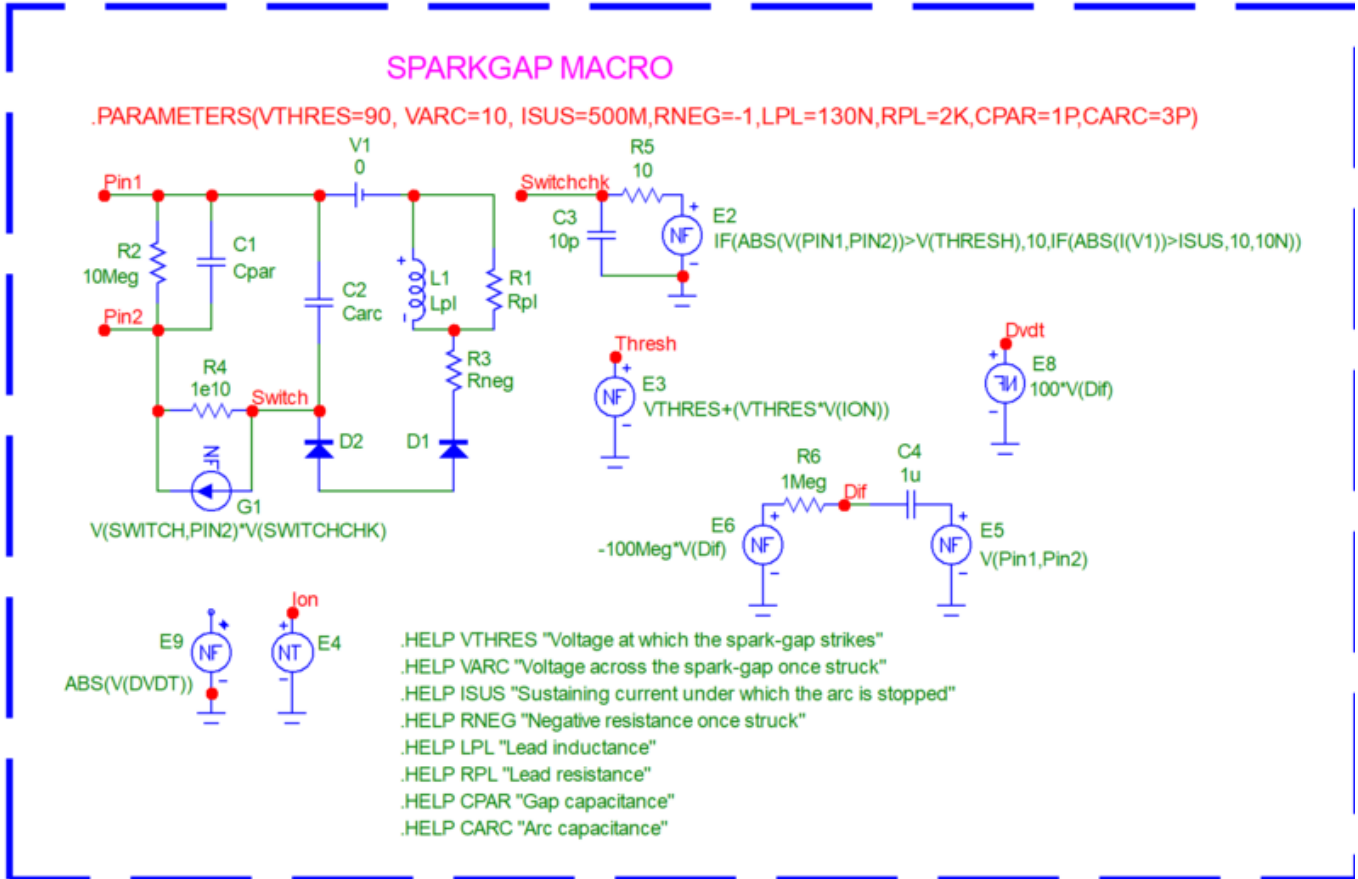


# File:Spark gap macro of a neon bulb simulated in Micro-Cap software..png

From Wikimedia Commons, the free media repository



Size of this preview:  $800 \times 533$  pixels.

Original file ( $1,618 \times 1,077$  pixels, file size: 89 KB, MIME type: image/png)

## Captions

### Captions

English Spark gap macro of a neon bulb simulated in Micro-Cap software.

## Summary

<b>Description</b>	<b>English:</b> Resistor, R3, supplies the negative resistance. Node, labeled: "Switchchk", is node #10 and indicates whether or not an arc has formed. If it's 10V, then the arc has engaged into a plasma. If it's hovering around 10nV, then the neon is OFF.
<b>Date</b>	2 October 2022
<b>Source</b>	Own work

## Licensing

I, the copyright holder of this work, hereby publish it under the following license:

This file is licensed under the [Creative Commons Attribution-Share Alike 4.0 International](https://creativecommons.org/licenses/by-sa/4.0/deed.en) (<https://creativecommons.org/licenses/by-sa/4.0/deed.en>) license.

You are free:

- **to share** – to copy, distribute and transmit the work
- **to remix** – to adapt the work

Under the following conditions:

- **attribution** – You must give appropriate credit, provide a link to the license, and indicate if changes were made. You may do so in any reasonable manner, but not in any way that suggests the licensor endorses you or your use.
- **share alike** – If you remix, transform, or build upon the material, you must distribute your contributions under the same or compatible license (<https://creativecommons.org/share-your-work/licensing-considerations/compatible-licenses>) as the original.



## File history

Click on a date/time to view the file as it appeared at that time.

	Date/Time	Thumbnail	Dimensions	User	Comment
current	<a href="#">21:52, 8 October 2022</a>		1,618 × 1,077 (89 KB)	<a href="#">Vinyasi</a> ( <a href="#">talk</a>   <a href="#">contribs</a> )	Uploaded while editing "Free Energy does not Exist" on en.wikibooks.org

You cannot overwrite this file.

## File usage on Commons

There are no pages that use this file.

## File usage on other wikis

The following other wikis use this file:

- Usage on en.wikibooks.org
  - [User:Vinyasi/sandbox](#)
  - [Free Energy does not Exist](#)

## Metadata

This file contains additional information such as Exif metadata which may have been added by the digital camera, scanner, or software program used to create or digitize it. If the file has been modified from its original state, some details such as the timestamp may not fully reflect those of the original file. The timestamp is only as accurate as the clock in the camera, and it may be completely wrong.

Horizontal resolution	37.8 dpc
Vertical resolution	37.8 dpc

## Structured data

---

### Items portrayed in this file

*depicts*

### creator

#### some value

- author name string: [Vinyasi](#)
- Wikimedia username: [Vinyasi](#)
- URL: <https://commons.wikimedia.org/wiki/User:Vinyasi>

### copyright status

**copyrighted**

### copyright license

**Creative Commons Attribution-ShareAlike 4.0 International**

### inception

**2 October 2022**

### MIME type

**image/png**

### source of file

**original creation by uploader**

---

Retrieved from "[https://commons.wikimedia.org/w/index.php?title=File:Spark\\_gap\\_macro\\_of\\_a\\_neon\\_bulb\\_simulated\\_in\\_Micro-Cap\\_software..png&oldid=696074836](https://commons.wikimedia.org/w/index.php?title=File:Spark_gap_macro_of_a_neon_bulb_simulated_in_Micro-Cap_software..png&oldid=696074836)"

---

**This page was last edited on 13 October 2022, at 00:30.**

Files are available under licenses specified on their description page. All structured data from the file namespace is available under the Creative Commons CC0 License; all unstructured text is available under the Creative Commons Attribution-ShareAlike License; additional terms may apply. By using this site, you agree to the Terms of Use and the Privacy Policy.