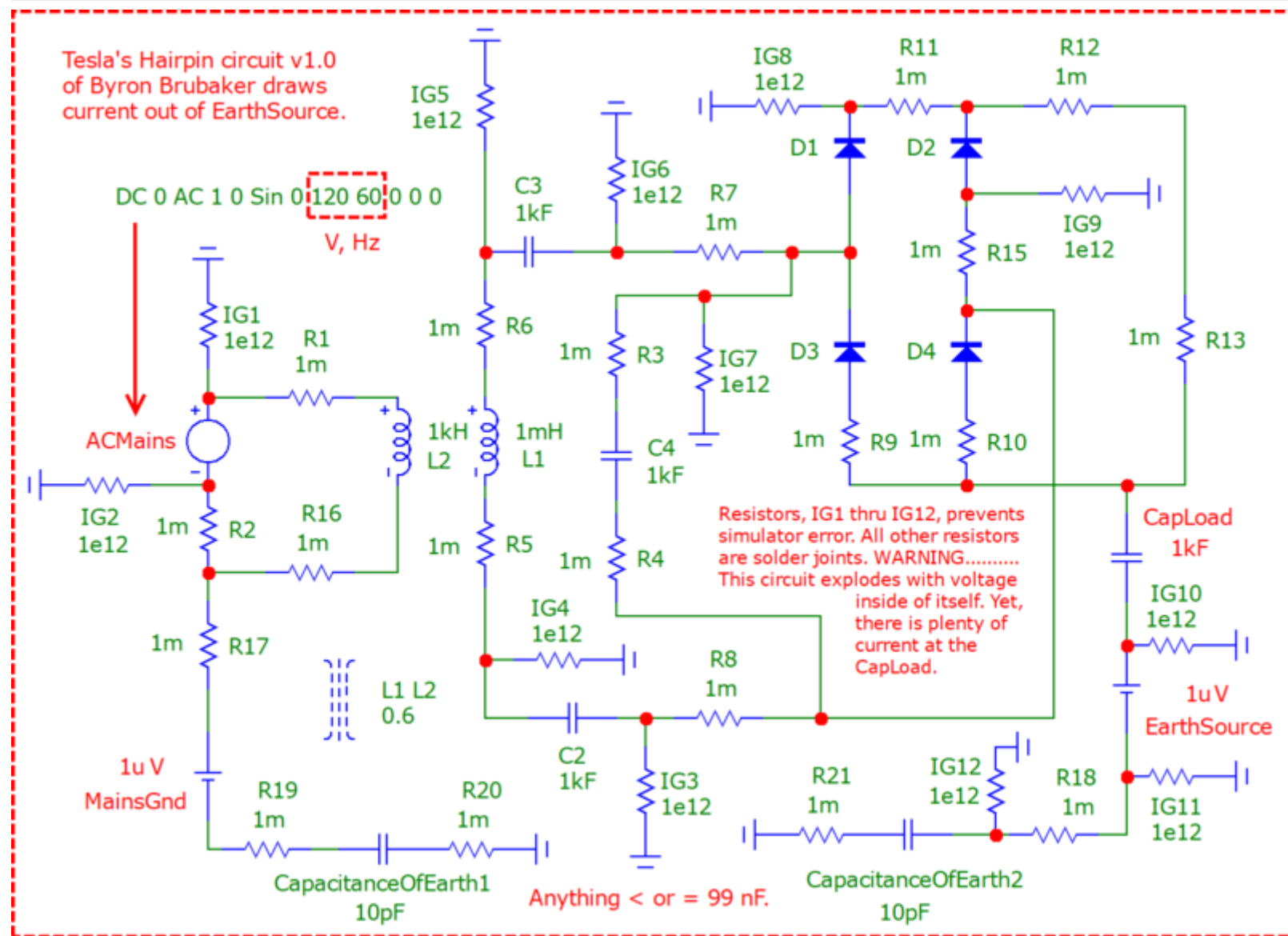


# File:Brubaker2d, schematic - 10pF.png

From Wikimedia Commons, the free media repository

File File history File usage on Commons File usage on other wikis Metadata



Download all sizes

Use this file on the web

Use this file on a wiki

Email a link to this file

Information about reusing

Size of this preview: 800 × 580 pixels. Other resolutions: 320 × 232 pixels | 640 × 464 pixels | 1,024 × 742 pixels | 1,408 × 1,020 pixels.

Original file (1,408 × 1,020 pixels, file size: 87 KB, MIME type: image/png)

Open in Media Viewer

File information Structured data

Captions Edit

English Brubaker's Hairpin circuit.

## Summary [edit]

<b>Description</b>	English: A simulation of Brubaker's Hairpin circuit derived from Tesla's Hairpin.	
<b>Date</b>	18 January 2023	
<b>Source</b>	Own work	
<b>Author</b>	Vinyasi	

## Licensing [edit]

I, the copyright holder of this work, hereby publish it under the following license:

This file is licensed under the [Creative Commons Attribution-Share Alike 4.0 International](#) license.

You are free:

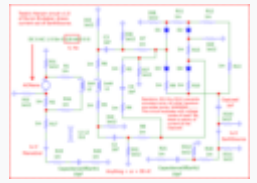
- to share – to copy, distribute and transmit the work
- to remix – to adapt the work

Under the following conditions:

- attribution** – You must give appropriate credit, provide a link to the license, and indicate if changes were made. You may do so in any reasonable manner, but not in any way that suggests the licensor endorses you or your use.
- share alike** – If you remix, transform, or build upon the material, you must distribute your contributions under the [same or compatible license](#) as the original.

## File history

Click on a date/time to view the file as it appeared at that time.

	Date/Time	Thumbnail	Dimensions	User	Comment
current	<b>04:57, 19 January 2023</b>		1,408 × 1,020 (87 KB)	Vinyasi (talk   contribs)	Uploaded while editing "User:Vinyasi/sandbox" on en.wikibooks.org

You cannot overwrite this file.

## File usage on Commons

There are no pages that use this file.

## File usage on other wikis

The following other wikis use this file:

- Usage on en.wikibooks.org
  - User:Vinyasi/sandbox
- Usage on en.wikiversity.org
  - Draft:Free Energy does not Exist

## Metadata

This file contains additional information such as Exif metadata which may have been added by the digital camera, scanner, or software program used to create or digitize it. If the file has been modified from its original state, some details such as the timestamp may not fully reflect those of the original file. The timestamp is only as accurate as the clock in the camera, and it may be completely wrong.

Show extended details

Category: Free Energy Criteria  
Hidden categories: CC-BY-SA-4.0 | Self-published work