

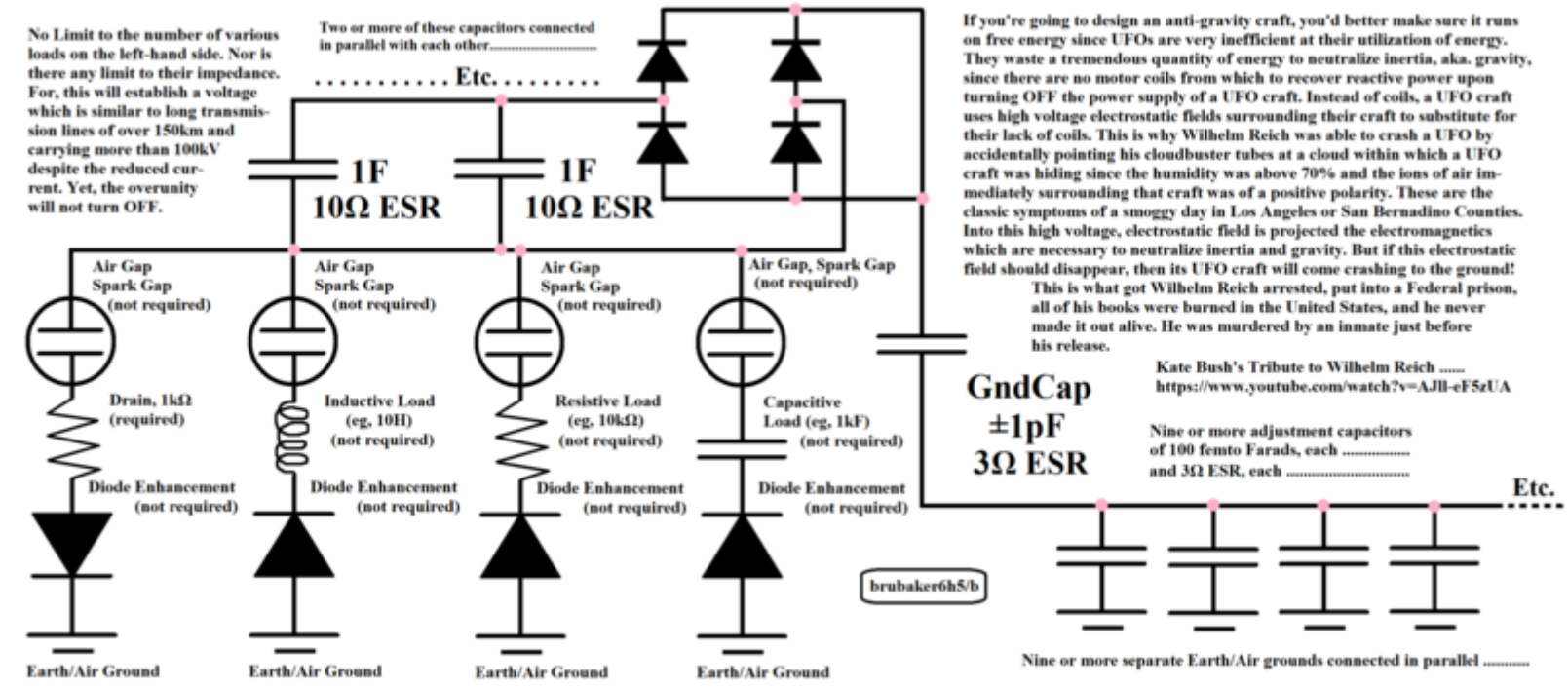


Photograph your local culture, help Wikipedia and win!

# File:Brubaker6h5 drawing.png

From Wikimedia Commons, the free media repository

File File history File usage on Commons File usage on other wikis Metadata



Download all sizes  
 Use this file on the web  
 Use this file on a wiki  
 Email a link to this file  
 Information about reusing

Size of this preview: 800 × 358 pixels. Other resolutions: 320 × 143 pixels | 640 × 287 pixels | 1,024 × 459 pixels | 1,280 × 573 pixels | 2,938 × 1,316 pixels.

Original file (2,938 × 1,316 pixels, file size: 247 KB, MIME type: image/png)

Open in Media Viewer

File information Structured data

Captions Edit  
 English Over-unity circuit derived from Byron Brubaker's Hairpin inspired by Tesla's Hairpin.

## Summary [edit]

**Description** English: *Generalized drawing* of a schematic for a free energy device which makes use of *Foster's reactance theorem* to over-react and deliver *negative impedance*. Real power is converted into purely imaginary, reactive power through the use of extremely low-level capacitors which makes their dielectric material partly prismatic owing to a material's refractive index is the square root of its dielectric constant.<sup>[1]</sup> Diodes are also used in this schematic.

**Busting the Clouds of Ignorance** — a YouTube video of one-hour duration.<sup>[2]</sup>

**Date** 2 February 2023

**Source** Own work

**Author** Vinyasi

## Licensing [edit]

I, the copyright holder of this work, hereby publish it under the following license:

This file is licensed under the [Creative Commons Attribution-Share Alike 4.0 International](#) license.

You are free:

- to share** – to copy, distribute and transmit the work
- to remix** – to adapt the work

Under the following conditions:

- attribution** – You must give appropriate credit, provide a link to the license, and indicate if changes were made. You may do so in any reasonable manner, but not in any way that suggests the licensor endorses you or your use.
- share alike** – If you remix, transform, or build upon the material, you must distribute your contributions under the [same or compatible license](#) as the original.

- ↑ glossary definition of *relative permittivity*
- ↑ mirrored copy of: *Cloudbusting UFOs @ Vimeo*

## File history

Click on a date/time to view the file as it appeared at that time.

	Date/Time	Thumbnail	Dimensions	User	Comment
current	<b>23:21, 2 February 2023</b>		2,938 × 1,316 (247 KB)	Vinyasi (talk   contribs)	Uploaded while editing "User:Vinyasi/sandbox" on en.wikibooks.org

You cannot overwrite this file.

## File usage on Commons

The following page uses this file:

- File:Cloudbusting.png

## File usage on other wikis

The following other wikis use this file:

- Usage on en.wikiversity.org
  - File:Cloudbusting a UFO.png

## Metadata

This file contains additional information such as Exif metadata which may have been added by the digital camera, scanner, or software program used to create or digitize it. If the file has been modified from its original state, some details such as the timestamp may not fully reflect those of the original file. The timestamp is only as accurate as the clock in the camera, and it may be completely wrong.

Show extended details

Category: Free Energy Criteria  
 Hidden categories: CC-BY-SA-4.0 | Self-published work