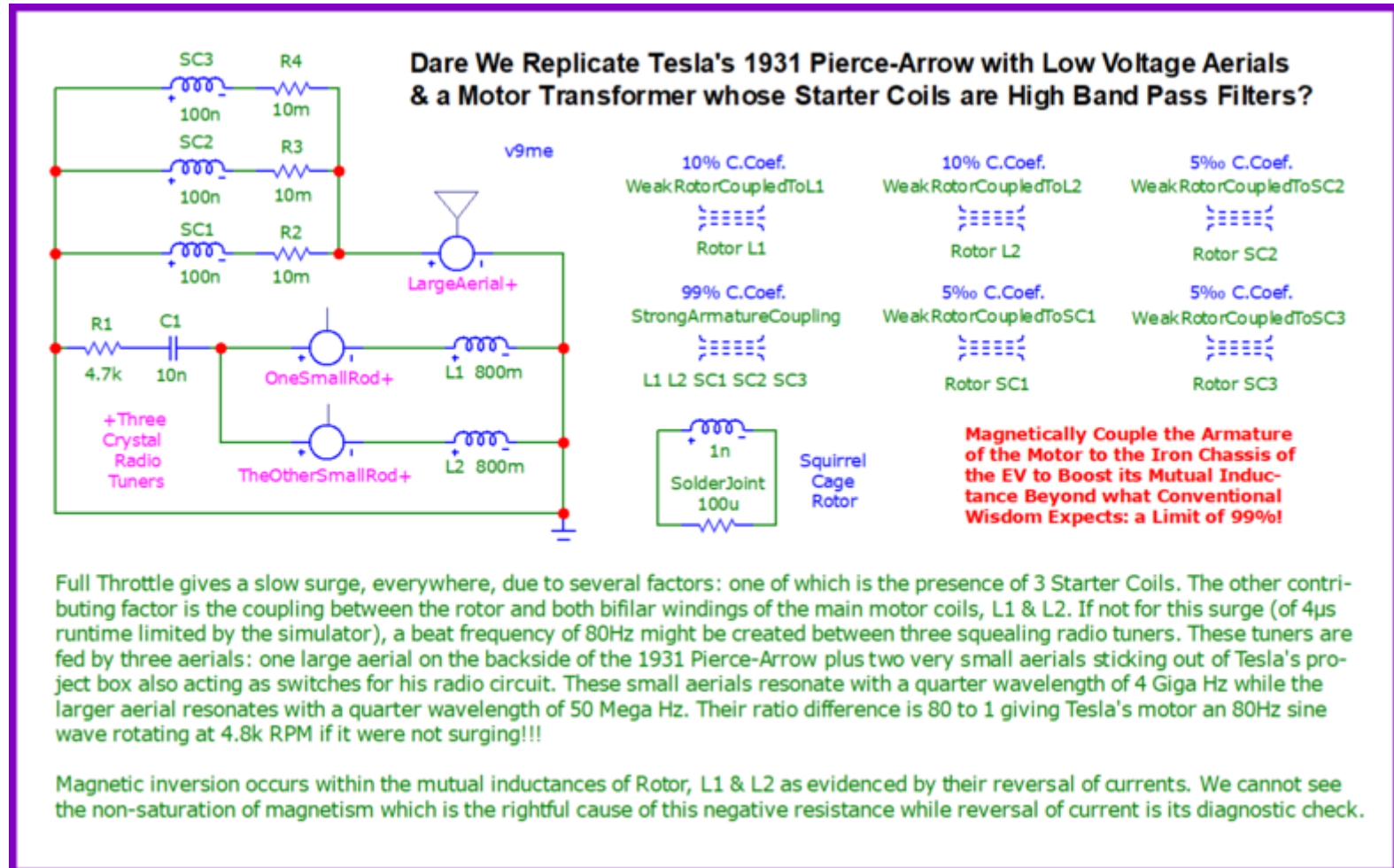


File:High Band Pass Motor-Transformer, v9me, schematic.png

From Wikimedia Commons, the free media repository

- Main page
- Welcome
- Community portal
- Village pump
- Help center
- Language select
- English
- Participate
- Upload file
- Recent changes
- Latest files
- Random file
- Contact us
- Tools
- What links here
- Related changes
- Special pages
- Permanent link
- Page information
- Concept URI
- Cite this page
- Nominate for deletion
- Print/export
- Download as PDF
- Printable version

File File history File usage on Commons File usage on other wikis Metadata



- Download all sizes
- Use this file on the web
- Use this file on a wiki
- Email a link to this file
- Information about reusing

Size of this preview: 800 × 491 pixels. Other resolutions: 320 × 197 pixels | 640 × 393 pixels | 1,024 × 629 pixels | 1,441 × 885 pixels.

Original file (1,441 × 885 pixels, file size: 105 KB, MIME type: image/png)

Open in Media Viewer

File information Structured data

Captions Edit

English This simulation demonstrates the A Priori of Negative Resistance lies within the Magnetic Field of Mutual Inductance.

Summary [edit]

Description	English: Demonstration of the "A Priori" first cause of <i>negative resistance</i> which lies within the inversion of magnetic polarity of its mutual inductances. Reversal of current is merely its diagnostic check and is the only visible measure of negative resistance owing to the invisible non-saturation of the magnetic fields of mutual inductances which are so thoroughly hidden from our view that we merely infer (by way of logical deduction) the actuality of this <i>a priori</i> first cause of what generates the expansion of reactive potentialities into what we colloquially call: "free energy" and <i>overunity</i> of output. This statement (of overunity) is less sagacious than the more accurate comparison between output versus input as a ratio coefficient of performance less than unity.
Date	13 December 2022
Source	Own work
Author	Vinyasi

Licensing [edit]

I, the copyright holder of this work, hereby publish it under the following license:

This file is licensed under the [Creative Commons Attribution-Share Alike 4.0 International](#) license.

You are free:

- to share** – to copy, distribute and transmit the work
- to remix** – to adapt the work

Under the following conditions:

- attribution** – You must give appropriate credit, provide a link to the license, and indicate if changes were made. You may do so in any reasonable manner, but not in any way that suggests the licensor endorses you or your use.
- share alike** – If you remix, transform, or build upon the material, you must distribute your contributions under the [same or compatible license](#) as the original.

File history

Click on a date/time to view the file as it appeared at that time.

	Date/Time	Thumbnail	Dimensions	User	Comment
current	11:43, 13 December 2022		1,441 × 885 (105 KB)	Vinyasi (talk contribs)	Uploaded own work with UploadWizard

You cannot overwrite this file.

File usage on Commons

There are no pages that use this file.

File usage on other wikis

The following other wikis use this file:

- Usage on en.wikibooks.org
 - User:Vinyasi/sandbox
- Usage on en.wikiversity.org
 - Free Energy does not Exist

Metadata

This file contains additional information such as Exif metadata which may have been added by the digital camera, scanner, or software program used to create or digitize it. If the file has been modified from its original state, some details such as the timestamp may not fully reflect those of the original file. The timestamp is only as accurate as the clock in the camera, and it may be completely wrong.

Show extended details

Category: Free Energy Criteria
 Hidden categories: Creative Commons Attribution-Share Alike missing SDC copyright status | CC-BY-SA-4.0 | Creative Commons Attribution-Share Alike 4.0 missing SDC copyright license | Self-published work | Self-published work missing SDC copyright license

This page was last edited on 13 December 2022, at 14:32.

Files are available under licenses specified on their description page. All structured data from the file namespace is available under the [Creative Commons CC0 License](#); all unstructured text is available under the [Creative Commons Attribution-ShareAlike License](#); additional terms may apply. By using this site, you agree to the [Terms of Use](#) and the [Privacy Policy](#).