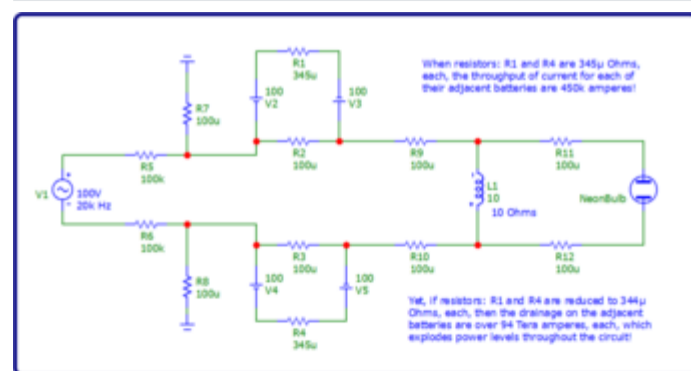


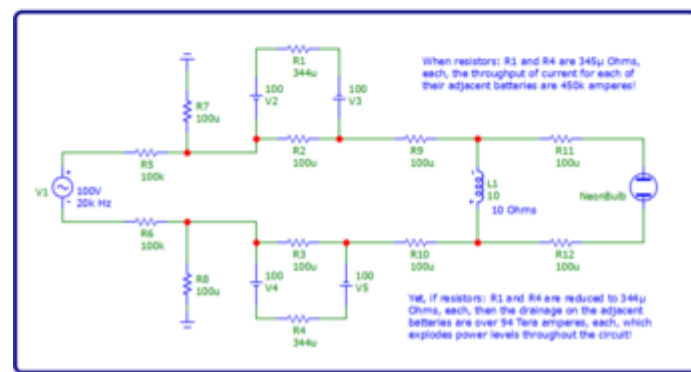
File:Perfect example of explosion of power from current inversion.png

From Wikimedia Commons, the free media repository

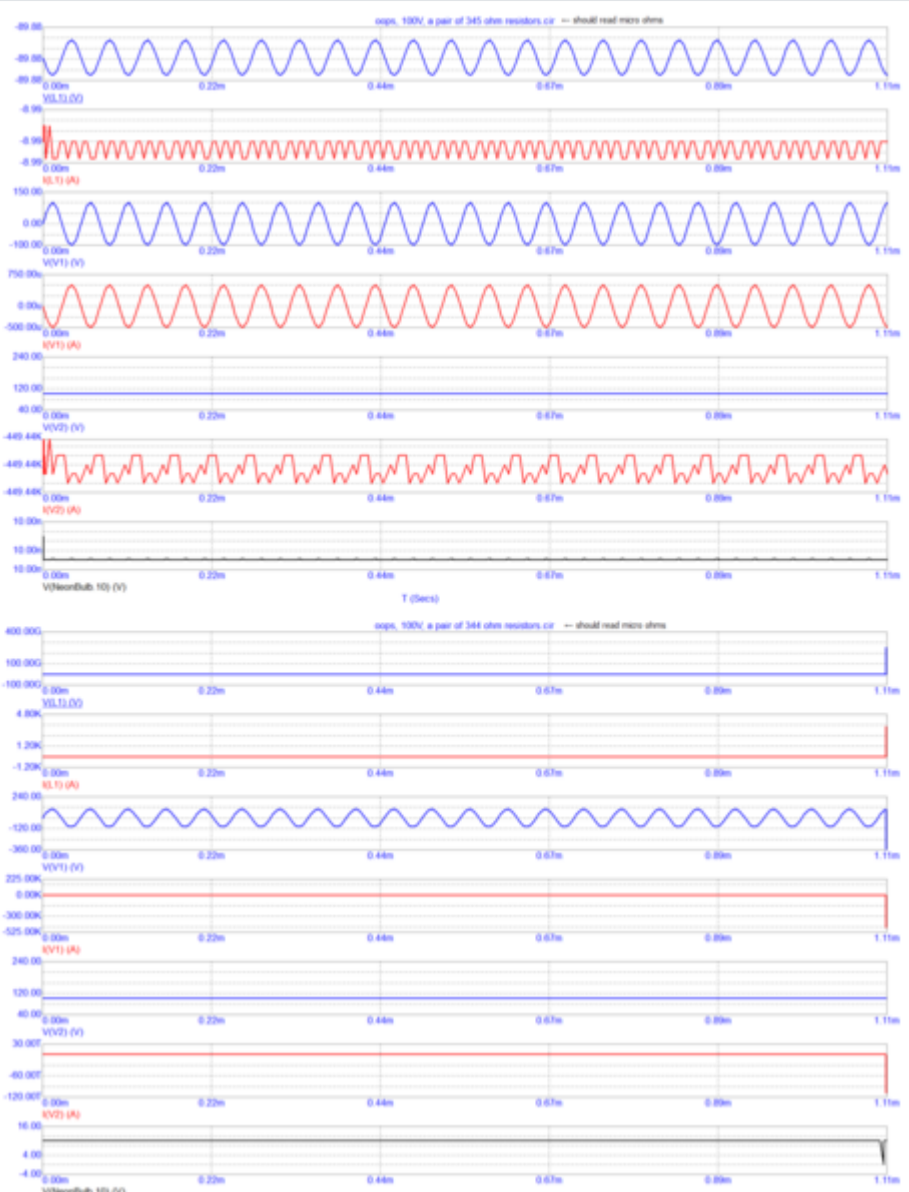
File **File history** **File usage on Commons** **File usage on other wikis** **Metadata**



<https://ufile.io/7yibnjgc>



<https://ufile.io/v04tv8u3>



- Download**
all sizes
- Use this file**
on the web
- Use this file**
on a wiki
- Email a link**
to this file
- Information**
about reusing

Size of this preview: 799 × 600 pixels. Other resolutions: 320 × 240 pixels | 640 × 480 pixels | 1,023 × 768 pixels | 1,280 × 961 pixels | 2,560 × 1,922 pixels | 2,776 × 2,084 pixels.

Original file (2,776 × 2,084 pixels, file size: 212 KB, MIME type: image/png)

Open in Media Viewer

File information | **Structured data**

Captions	Edit
English	Explosion of output due to the inversion of the phase of current relative to the phase of voltage.

Summary [\[edit \]](#)

Description	English: These are two variations ^{[1] [2]} of a Micro-Cap 12 simulation of a conventional circuit of a simple design (operating on a Windows 10, 64-bit desktop PC) which exhibits an explosion of output when its neon bulb (spark gap) ignites into a state of plasma. This ignition occurs whenever its ignition node (Switchck) ^[3] registers a value of 10 volts by comparison to a value of 10 nano volts (10nV in the top graph) which indicates that the neon bulb is OFF. This ignition is charted at the bottom-most tracing of the bottom graph. This tracing is labeled: V(NeonBulb.10) (V) while its plasma state is graphed in the circuit labeled: "oops, 100V, a pair of 344 ohm resistors.cir – should read micro ohms".
Date	16 October 2022
Source	Own work
Author	Vinyasi

Licensing [\[edit \]](#)

I, the copyright holder of this work, hereby publish it under the following license:

This file is licensed under the [Creative Commons Attribution-Share Alike 4.0 International](#) license.

You are free:

- to share** – to copy, distribute and transmit the work
- to remix** – to adapt the work

Under the following conditions:

- attribution** – You must give appropriate credit, provide a link to the license, and indicate if changes were made. You may do so in any reasonable manner, but not in any way that suggests the licensor endorses you or your use.
- share alike** – If you remix, transform, or build upon the material, you must distribute your contributions under the [same or compatible license](#) as the original.

- [↑](#) [345 micro ohms](#)
- [↑](#) [344 micro ohms](#)
- [↑](#) [Micro-Cap 12 macro for a neon bulb](#)

File history

Click on a date/time to view the file as it appeared at that time.

	Date/Time	Thumbnail	Dimensions	User	Comment
current	02:09, 2 January 2023		2,776 × 2,084 (212 KB)	Vinyasi (talk contribs)	cropped
	11:04, 16 October 2022		3,748 × 2,084 (261 KB)	Vinyasi (talk contribs)	corrected text
	10:22, 16 October 2022		3,748 × 2,084 (259 KB)	Vinyasi (talk contribs)	Uploaded while editing "Free Energy does not Exist" on en.wikibooks.org

You cannot overwrite this file.

File usage on Commons

There are no pages that use this file.

File usage on other wikis

The following other wikis use this file:

- Usage on en.wikibooks.org
 - User:Vinyasi/sandbox
- Usage on en.wikiversity.org
 - Draft:Free Energy does not Exist

Metadata

This file contains additional information such as Exif metadata which may have been added by the digital camera, scanner, or software program used to create or digitize it. If the file has been modified from its original state, some details such as the timestamp may not fully reflect those of the original file. The timestamp is only as accurate as the clock in the camera, and it may be completely wrong.

Category: [Free Energy Criteria](#)
Hidden categories: [CC-BY-SA-4.0](#) | [Self-published work](#)

This page was last edited on 2 January 2023, at 02:09.

Files are available under licenses specified on their description page. All structured data from the file namespace is available under the [Creative Commons CC0 License](#); all unstructured text is available under the [Creative Commons Attribution-ShareAlike License](#); additional terms may apply. By using this site, you agree to the [Terms of Use](#) and the [Privacy Policy](#).