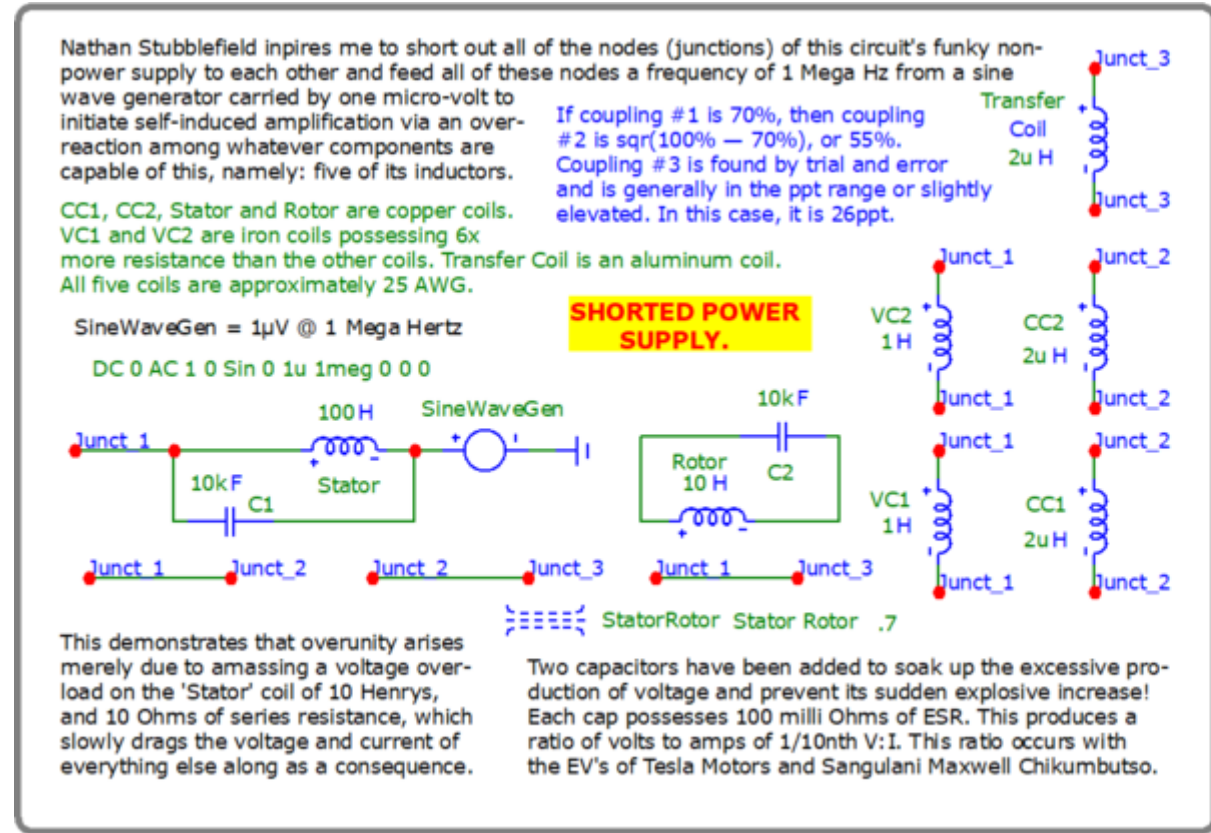


# File:Simplest-overunity-circuit-you-will-ever-see v4c, schematic, v3.png

From Wikimedia Commons, the free media repository

- Main page
- Welcome
- Community portal
- Village pump
- Help center
- Language select
- English
- Participate
- Upload file
- Recent changes
- Latest files
- Random file
- Contact us
- Tools
- What links here
- Related changes
- Special pages
- Permanent link
- Page information
- Concept URI
- Cite this page
- Nominate for deletion
- Print/export
- Download as PDF
- Printable version

File File history File usage on Commons File usage on other wikis Metadata



#1  
LumpedCoupling .7  
VC1 VC2 CC1 CC2

#2  
TransferCoupledToVC1  
C.Coef. .55  
Transfer VC1 .55  
TransferCoupledToVC2  
C.Coef. .55  
Transfer VC2 .55

#3  
TransferCoupledToCC2  
C.Coef. .026  
Transfer CC2 .026  
TransferCoupledToCC1  
C.Coef. .026  
Transfer CC1 .026

Download all sizes

Use this file on the web

Use this file on a wiki

Email a link to this file

Information about reusing

Size of this preview: 800 × 419 pixels. Other resolutions: 320 × 167 pixels | 640 × 335 pixels | 1,359 × 711 pixels.

Original file (1,359 × 711 pixels, file size: 97 KB, MIME type: image/png)

Open in Media Viewer

File information Structured data

Captions Edit

English Are mutual inductances always conserved?

## Summary [edit]

<b>Description</b>	<b>English:</b> Schematic of several shorts among the coils of an <i>overunity</i> circuit whose output can't stop rising until it destroys itself at some point in time which I like to call: <i>escalation towards infinite oblivion</i> . Its Micro-Cap 12 simulation file operates best on a 64-bit computer. It may be downloaded from: <a href="http://vinyasi.info">vinyasi.info</a> or from <a href="http://ufile.io">ufile.io</a> .
<b>Date</b>	5 November 2022
<b>Source</b>	Own work
<b>Author</b>	Vinyasi

## Licensing [edit]

I, the copyright holder of this work, hereby publish it under the following license:

This file is licensed under the [Creative Commons Attribution-Share Alike 4.0 International](https://creativecommons.org/licenses/by-sa/4.0/) license.

You are free:

- to **share** – to copy, distribute and transmit the work
- to **remix** – to adapt the work

Under the following conditions:

- attribution** – You must give appropriate credit, provide a link to the license, and indicate if changes were made. You may do so in any reasonable manner, but not in any way that suggests the licensor endorses you or your use.
- share alike** – If you remix, transform, or build upon the material, you must distribute your contributions under the [same or compatible license](https://creativecommons.org/licenses/by-sa/4.0/) as the original.

## File history

Click on a date/time to view the file as it appeared at that time.

	Date/Time	Thumbnail	Dimensions	User	Comment
current	<b>07:30, 15 December 2022</b>		1,359 × 711 (97 KB)	<a href="#">Vinyasi</a> (talk   contribs)	Uploaded while editing "Draft:Free Energy does not Exist" on en.wikiversity.org

You cannot overwrite this file.

## File usage on Commons

There are no pages that use this file.

## File usage on other wikis

The following other wikis use this file:

- Usage on en.wikibooks.org
  - User:Vinyasi/sandbox
- Usage on en.wikiversity.org
  - Draft:Free Energy does not Exist

## Metadata

This file contains additional information such as Exif metadata which may have been added by the digital camera, scanner, or software program used to create or digitize it. If the file has been modified from its original state, some details such as the timestamp may not fully reflect those of the original file. The timestamp is only as accurate as the clock in the camera, and it may be completely wrong.

Show extended details

Category: Free Energy Criteria

Hidden categories: Creative Commons Attribution-Share Alike missing SDC copyright status | CC-BY-SA-4.0 | Creative Commons Attribution-Share Alike 4.0 missing SDC copyright license | Self-published work | Self-published work missing SDC copyright license

This page was last edited on 15 December 2022, at 15:59.

Files are available under licenses specified on their description page. All structured data from the file namespace is available under the [Creative Commons CC0 License](https://creativecommons.org/licenses/by-sa/4.0/); all unstructured text is available under the [Creative Commons Attribution-ShareAlike License](https://creativecommons.org/licenses/by-sa/4.0/); additional terms may apply. By using this site, you agree to the [Terms of Use](#) and the [Privacy Policy](#).