



Search

News: Message from Admin: I am pretty ill right now. And it can take much longer until I answer or unmoderate things or approve postings... Thanks. Regards, Stefan Hartmann (Admin)

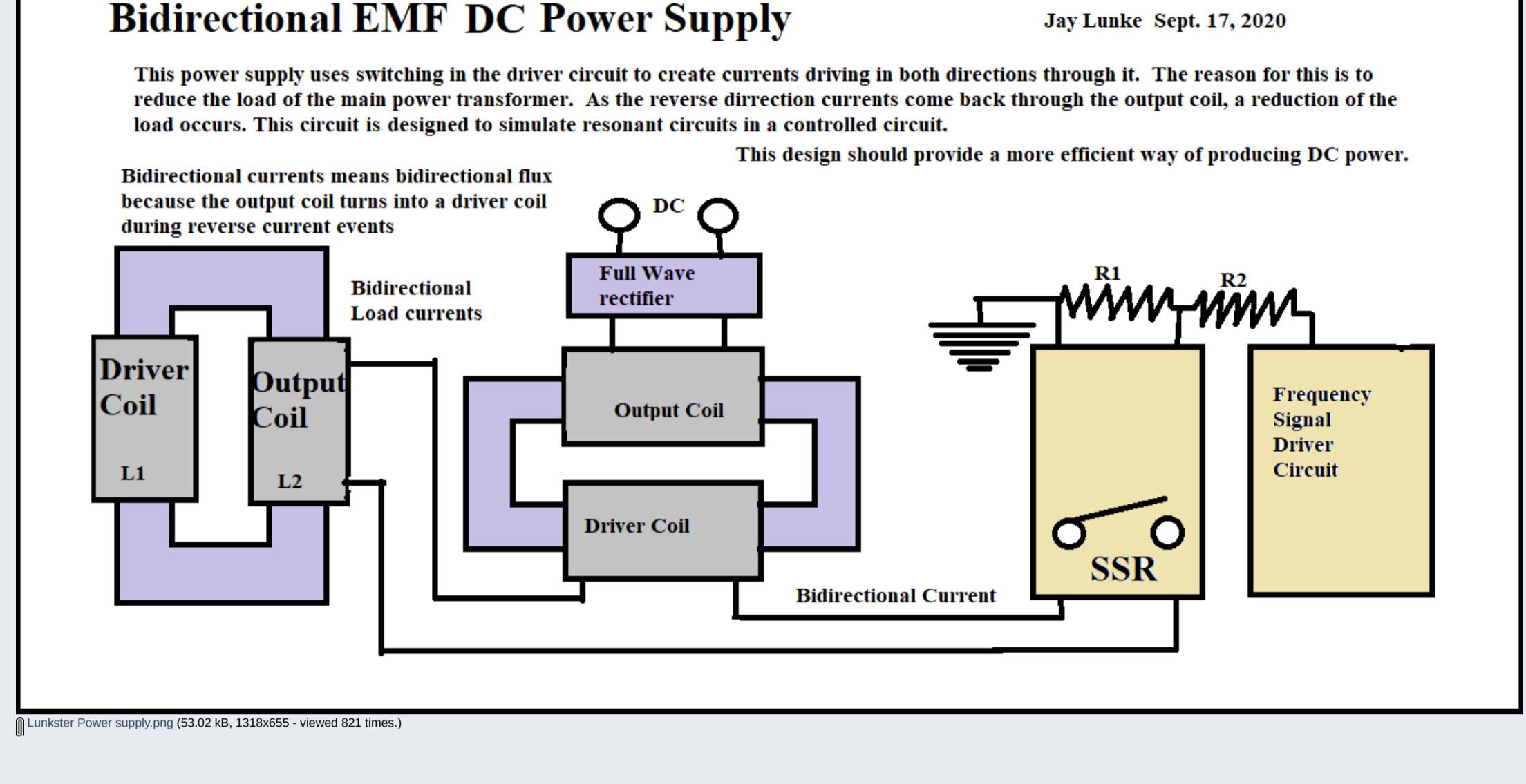
GDPR and DSGVO law

Storing Cookies (See: http://ec.europa.eu/ogp/basic/legal/cookies/index_en.htm) help us to bring you our services at overunity.com... If you do not agree with storing cookies, please LEAVE this website now.

User Menu: Login with username, password and session length. Lunkster: Full Member, 173 Posts.

Topic: Bidirectional EMF DC Power Supply (Read 2762 times)
Author: Lunkster
Bidirectional EMF DC Power Supply
= on: September 17, 2020, 04:36:33 PM =

This power supply design is taking the efficiencies that are found in a resonant circuits and using them in a product being in this case a DC power supply. The resonant circuit creates currents flowing in two directions in the same circuit. When the output coil of a transformer is in that circuit, the output coil acts like a driver coil during the times the reverse current occur.

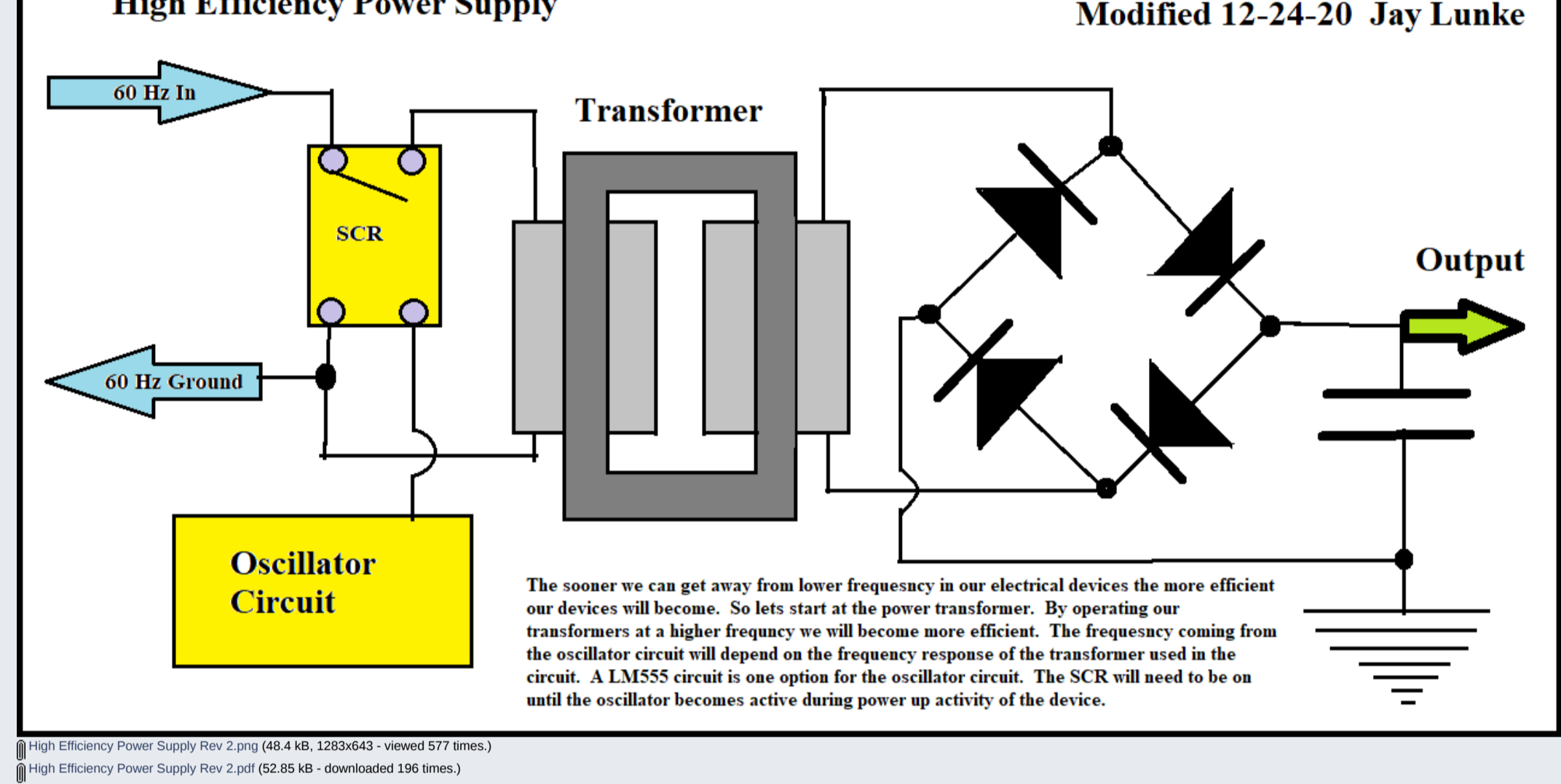


Lunkster Power supply.png (53.62 KB, 1318x655 - viewed 821 times)

Re: Bidirectional EMF DC Power Supply
= Reply #1 on: October 31, 2020, 06:16:44 PM =
There are a lot of switching power supply circuits out there. The old large current power supplies are very heavy because of all the windings in them.

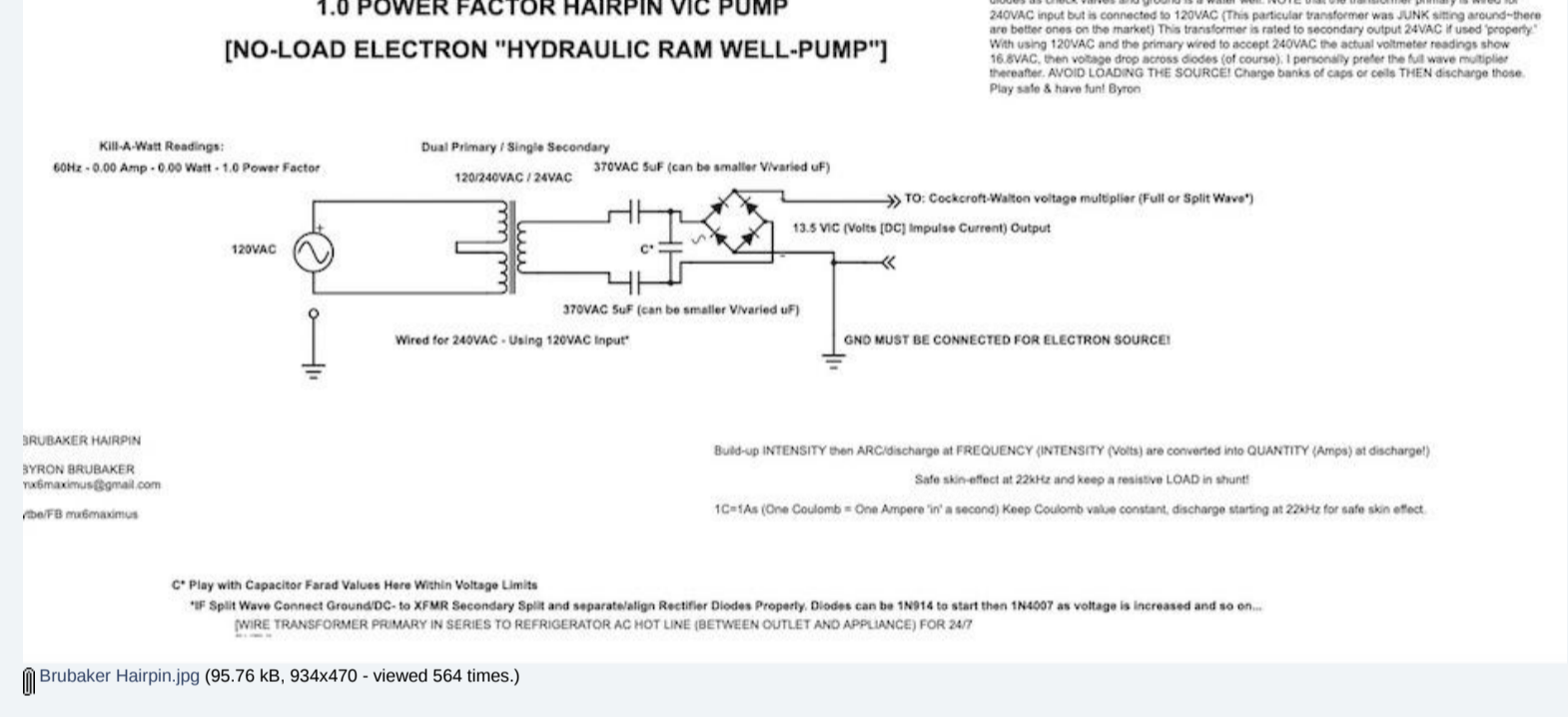
Re: Bidirectional EMF DC Power Supply
= Reply #2 on: December 24, 2020, 11:22:24 PM =
After thinking about the power supply for awhile I was wondering how many electronic devices use power supplies. Even the rechargeable devices have a transformer to recharge them.

Re: Bidirectional EMF DC Power Supply
= Reply #3 on: December 25, 2020, 12:30:58 AM =
Have you considered the following circuit?
https://schematics-prod.s3.amazonaws.com/project/psid-544602.1/page-1.svg



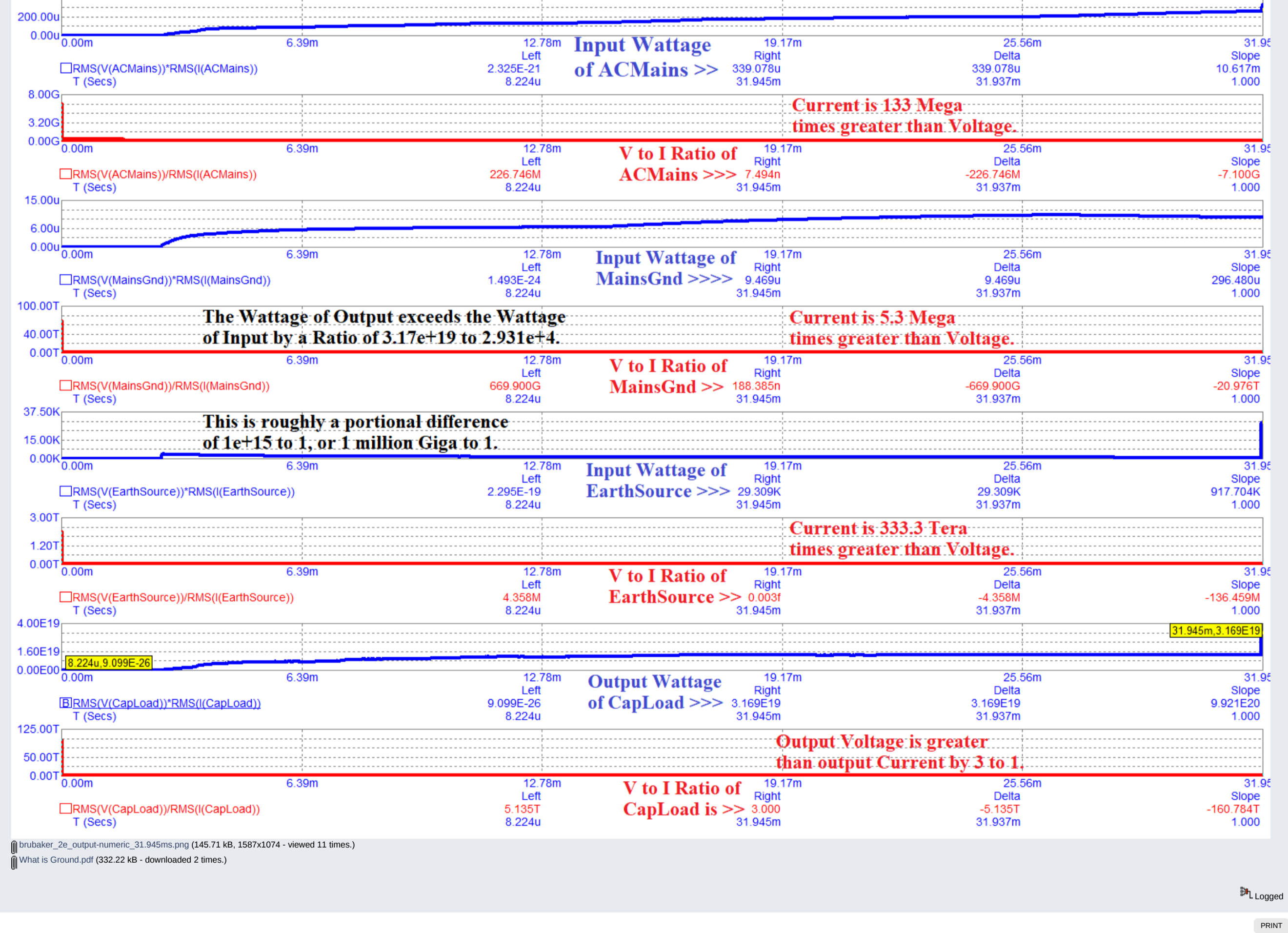
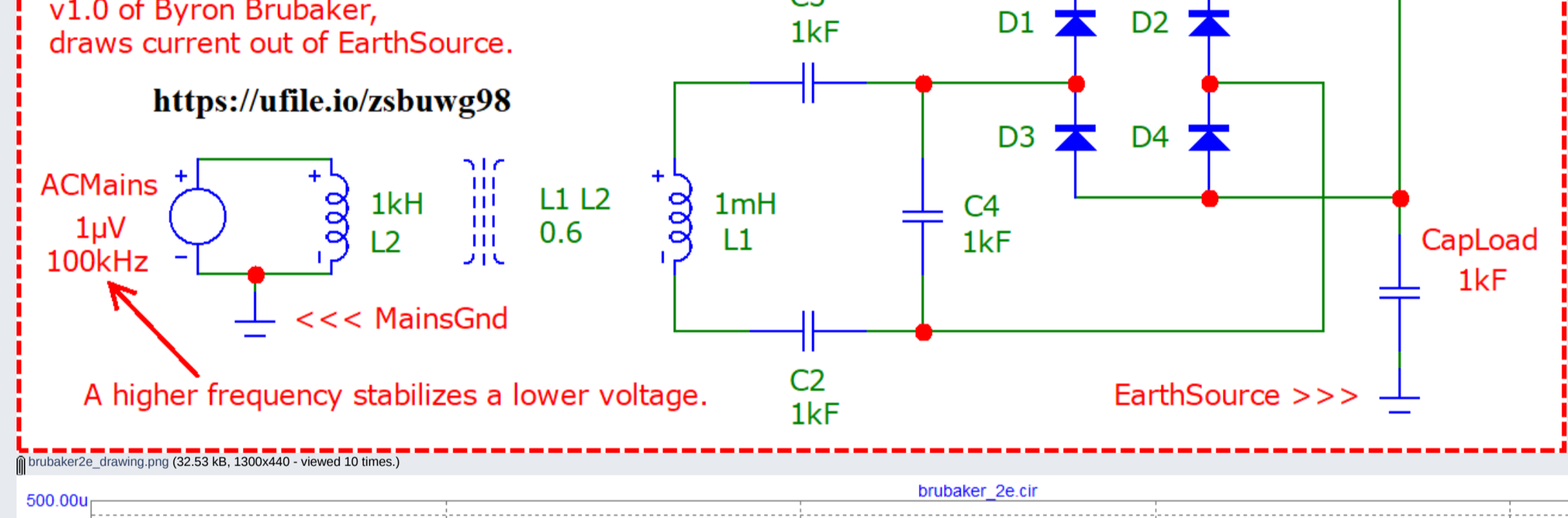
High Efficiency Power Supply Rev 2.png (48.44 KB, 1203x623 - viewed 577 times)
High Efficiency Power Supply Rev 2.pdf (52.85 KB - downloaded 195 times)

Re: Bidirectional EMF DC Power Supply
= Reply #4 on: December 25, 2020, 12:30:58 AM =
Have you considered the following circuit?
https://www.schematics.com/user/mx/maximus-23974/



Brubaker Hairpin.jpg (95.76 KB, 934x470 - viewed 564 times)

Byron Brubaker's VIC Pump rendition of Tesla's Hairpin
= Reply #4 on: Today at 05:32:54 PM =
I have considered it as an exercise in simulating it in Micro-Cap.



brubaker_2e_output-numerics_31.945ms.png (145.71 KB, 1587x1074 - viewed 11 times)
What is Ground.pdf (332.22 KB - downloaded 2 times)