

Electrical Reactance is a self-fulfilling proposition...

Capacitive reactance X_C

$$X_C = -\frac{1}{\omega C} = -\frac{1}{2\pi f C}$$

Inductive reactance X_L

$$X_L = \omega L = 2\pi f L$$

Reactance Equivalencies...

Capacitance = Capacitive Reactance

Inductance = Inductive Reactance

These equivalencies are derived from the following formula for reactive impedance...

$$X = X_L + X_C = \omega L - \frac{1}{\omega C}$$



10 μ HENRYS & -1m Ω OF MAGNETIC WINDING @ 44 AWG

COPPER TUBES, INNER & OUTER LAYER, & SPHERES

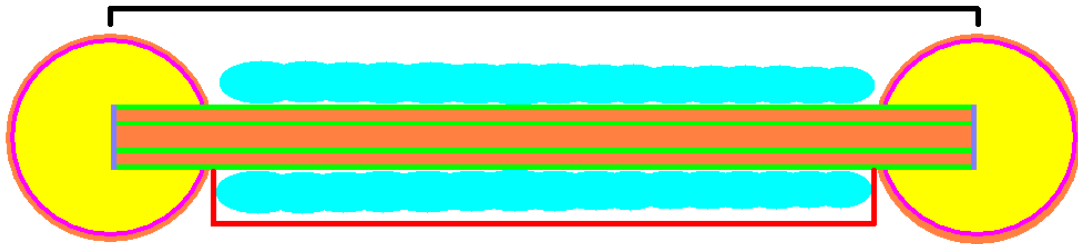
10m FARADS & 10m Ω IN BETWEEN TUBES & WINDINGS

100 FEMTO FARADS & 10m Ω COATING THE INNER SURFACE OF THE SPHERES

10m FARADS & 10m Ω UNDERNEATH INNER TUBE

NOBLE GASES ELECTRIFIED INTO A PLASMA

VENTURI EFFECT



PARALLEL CONNECTION TO EITHER A DEAD BATTERY OR A CRYSTAL RADIO TUNER

WINDING OF IRON WIRE AROUND COPPER TUBES. THIS IRON WIRE LEADS TO THE CORE OF THE INDUCTIVE LOAD.

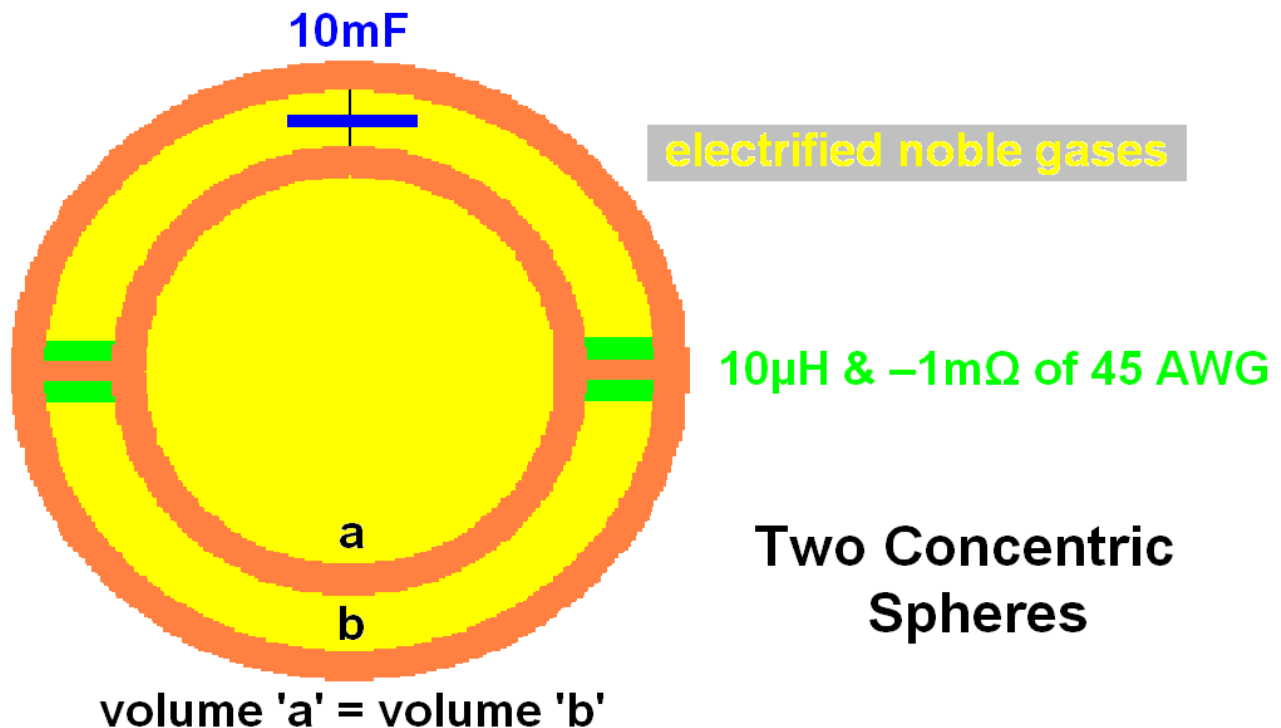
10 μ HENRYS & -1m Ω OF MAGNETIC WINDING @ 44 AWG

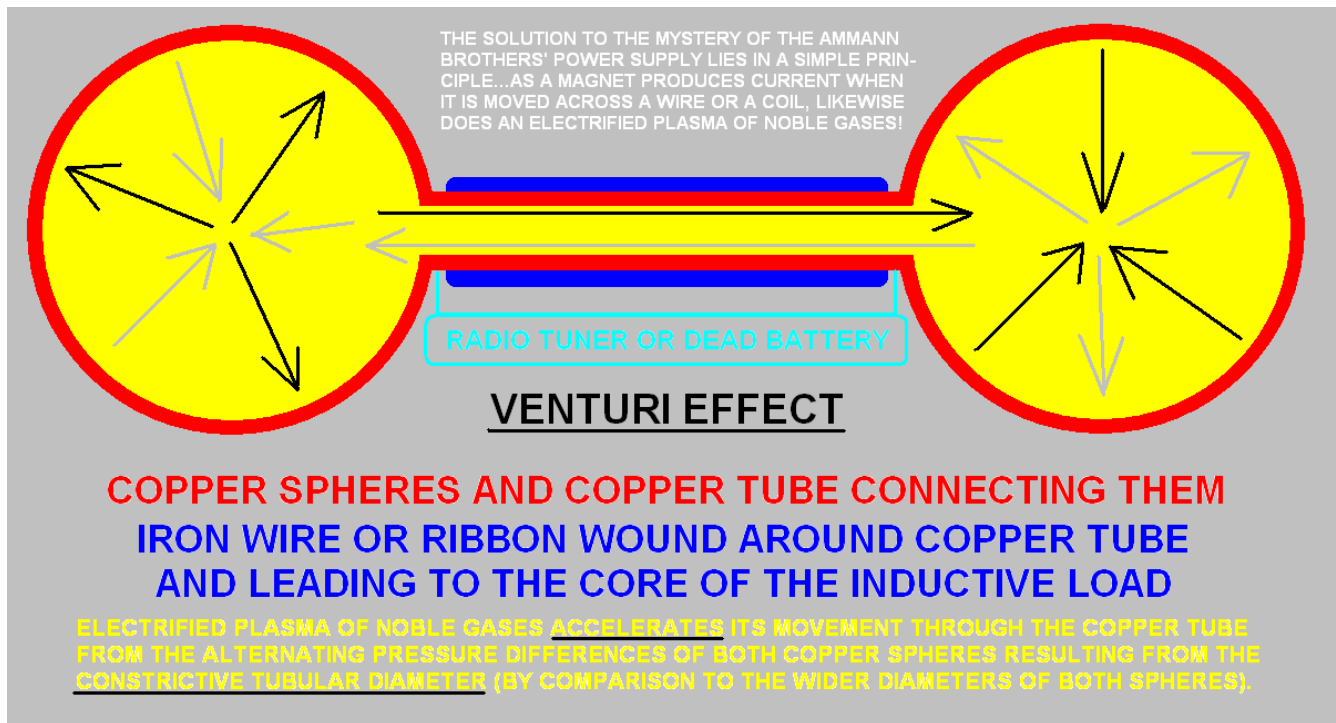
COPPER TUBES, INNER & OUTER LAYER, & SPHERES

100 FEMTO FARADS & 10m Ω UNDERNEATH SPHERES

10m FARADS & 10m Ω CAPPING EITHER END OF TUBES

NOBLE GASES ELECTRIFIED INTO A PLASMA



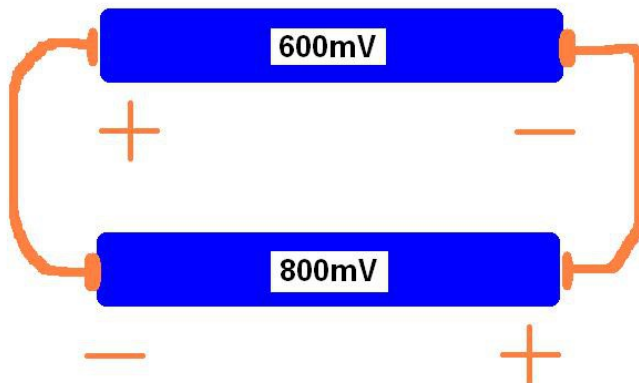


The Conservation of Energy is the Conservation of Voltage Drop Across the Resistances within a Simple Flashlight Circuit, but is Irrelevant to Electrical Reactance!

The minute you want to get involved with *capacitance* and *inductance*, and their resulting dielectric and magnetic fields of capacitive reactance and inductive reactance, or avail yourself of the manipulation of time by its *reversal* (via the negative resistance of splitting the atomic nature of electricity into these two constituent ingredients separated by one-half cycle of an alternating wave – such as the alternating square or sine waves, etc.), or by its *acceleration* of the frequency of electrical reactance, you forever divorce yourself from the narrow-minded simpleton-style thinking of adhering to a belief that Conservation of Energy explains everything.

Hogwash... This is fantasy!

DEAD BATTERY



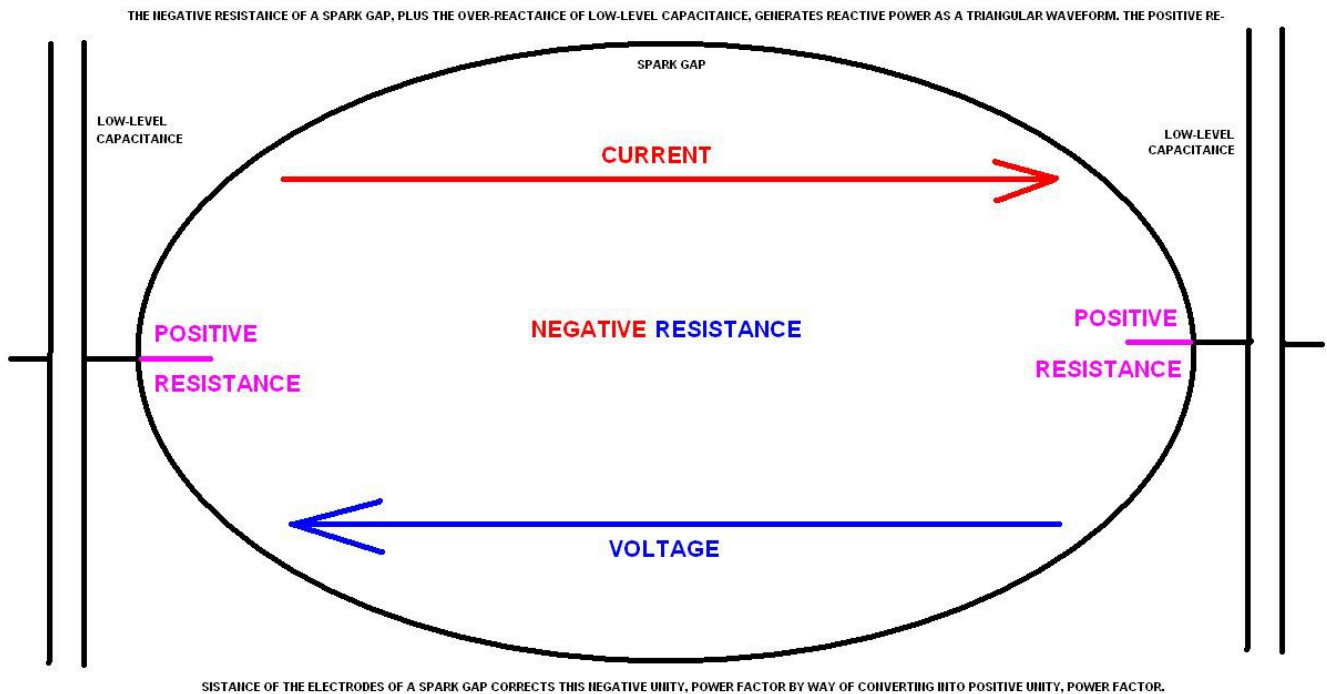
PRIME MOVER OF GREATER
VOLTAGE THAN DEAD BATTERY

THE PRIME MOVER RE-CHARGES THE DEAD BATTERY, BECAUSE ITS VOLTAGE IS GREATER THAN THE VOLTAGE OF THE DEAD BATTERY. BUT IF WE ELIMINATE THE SECOND BATTERY AND REPLACE IT WITH A CAPACITOR|SPARKGAP|CAPACITOR SANDWICH OF VERY LOW CAPACITANCES, THEN THIS BECOMES THE NEW PRIME MOVER!

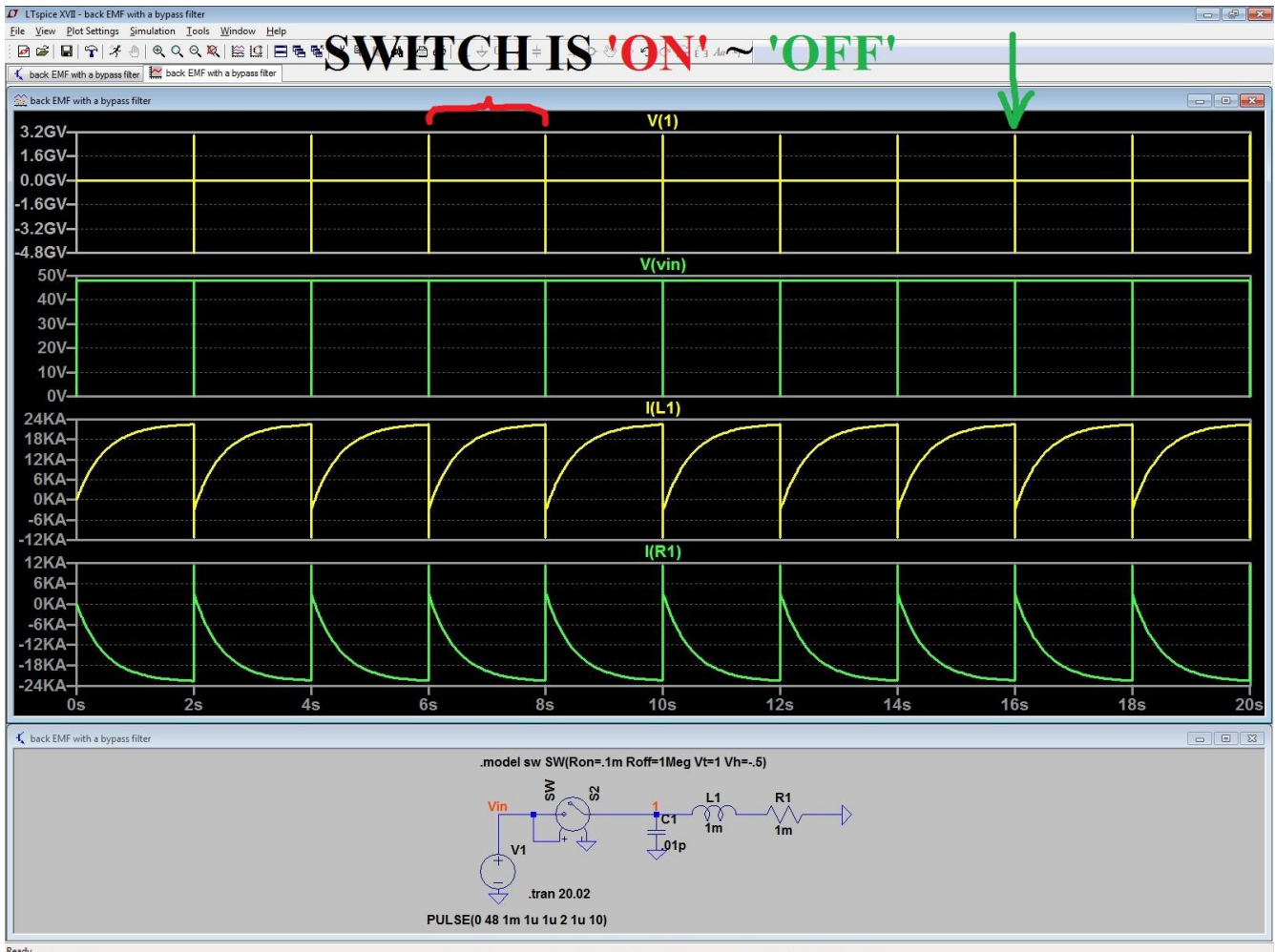
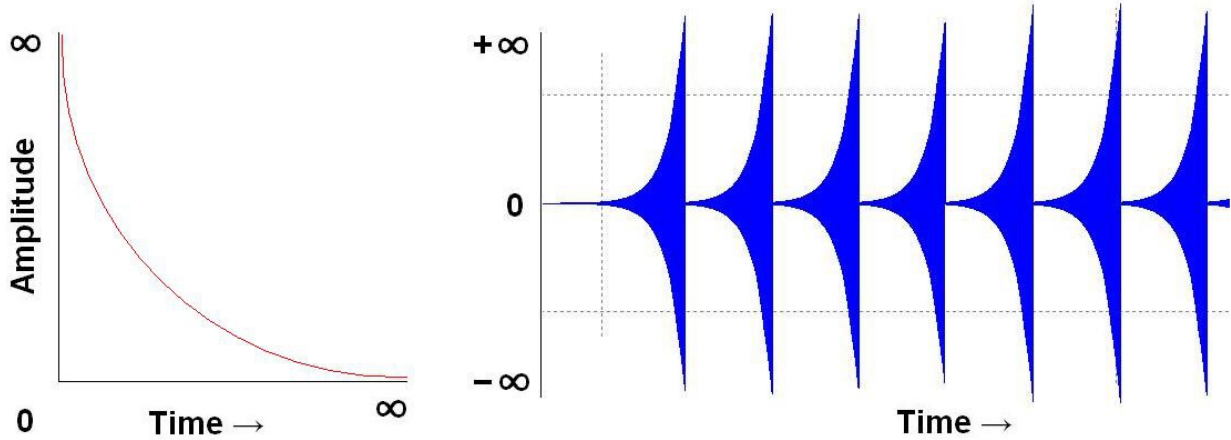
ISN'T THIS WHAT WE WANT? A PRIME MOVER OF NO MOVING PARTS AND NO CONTINUOUS INPUT OF ENERGY OTHER THAN WHATEVER IS ALREADY THERE (PRECHARGING ONE OF THE TWO CAPACITORS ADJACENT TO GROUND)? SINCE A LOW CAPACITANCE WILL DISCHARGE MORE QUICKLY THAN IT RECHARGES, IT BECOMES EVIDENT THAT THE SAME VOLTAGE CHANGES MORE QUICKLY, PER UNIT OF TIME. THIS INCREASE OF FREQUENCY HAS A DIRECT IMPACT ON WHATEVER KINETIC ENERGY RESIDES INSIDE OF THIS SANDWICH. ITS RATE OF TRAVEL, IE. CURRENT, INCREASES AS A DIRECT RESULT OF INCREASING THE RATE OF VOLTAGE CHANGES. WHY? BECAUSE THE INDUCTANCE OF THE SPARK GAP IS ALSO INCREASING. AND INDUCTANCE AFFECTS THE CURRENT AS A DIRECT RELATIONSHIP (NOT INVERSELY).

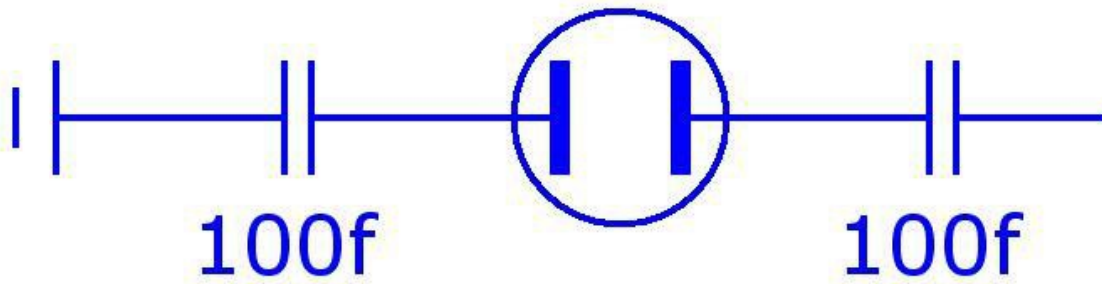
THE COMPONENTS WHICH INITIATED THIS PROCESS DO NOT ALTER THEIR PARAMETERS. YET, THE FIELDS WHICH THESE SOLID STATE COMPONENTS CREATE - IN AND AROUND THEMSELVES - IS AFFECTED BY NEIGHBORING COMPONENTS. THIS IS THE FOUNDATION FOR 'PARAMETRIC AMPLIFICATION': THE MAGNETIC AND (DI-)ELECTRIC FIELDS CHANGE WHILE THE PARAMETERS OF THE COMPONENTS REMAINS THE SAME SINCE THEY ARE PHYSICAL, BUT THE FIELDS ARE NOT PHYSICAL. THE FIELDS ARE CONSEQUENTIAL EFFECTS OF THE INTERACTIONS AMONG THESE SOLID-STATE COMPONENTS AND THESE FIELDS ARE CONSTANTLY VULNERABLE TO CHANGE. THIS EXPLAINS THE AMMANN MYSTERY.

Free Energy is shifting the Prime Mover from outside the appliance to inside itself and replacing physical Prime Movers with non-physical, mathematical abstractions (ie. fictions) of Electrical Reactance. An example of a physical Prime Mover would be the greater force of the gravity of falling water rotating generators (at a hydroelectric power plant) which manages to rotate those generators by overcoming the lesser force of magnetic resistance inside those generators. Another physical example would be an electric charging station charging the lesser voltages of an electric car's battery pack. Anything more powerful than something else is a Prime Mover for that other entity. Yet, Prime Movers need not be something else, nor need they be physical. That's the catch to understanding Free Energy.



Take a hyperbolic function of diminishing amplitude, on the left in red, and double it by oscillating it and turn its TIME DOMAIN around backwards, on the right-hand side in blue, and you will have the transformation of the Law of Conservation (and its associated laws of thermodynamics) inverted into the Law of NON-Conservation (and its associated mathematical relationships, ie. laws, of ELECTRICAL REACTANCE). Ergo, the reversal of time undermines ENTROPY by converting it into NEGENTROPY. Which begs the next question... Which domain of Time is an absolute frame of reference? Or, as Einstein would say, "It's all relative." Which implies that both ENTROPY and NEGENTROPY have equal standing. Each is just as possible, although not as probable, due to Mother Nature wanting to prevent the ease with which Creation can blow up under the second clause (on the right-hand side) by making it more difficult requiring expertise of a sophisticated intelligence to be able to design OVERUNITY circuits which yield more current OUT, then voltage IN; and, more voltage OUT, then current IN; during phase shifts of one-half cycle (180°) of separation amount to a negative unity, power factor! I call the pulsing waveforms on the right, a series of "STACCATO WEDGIES." The wave on the left, is a conventional dissipation of a wave via self-damping.

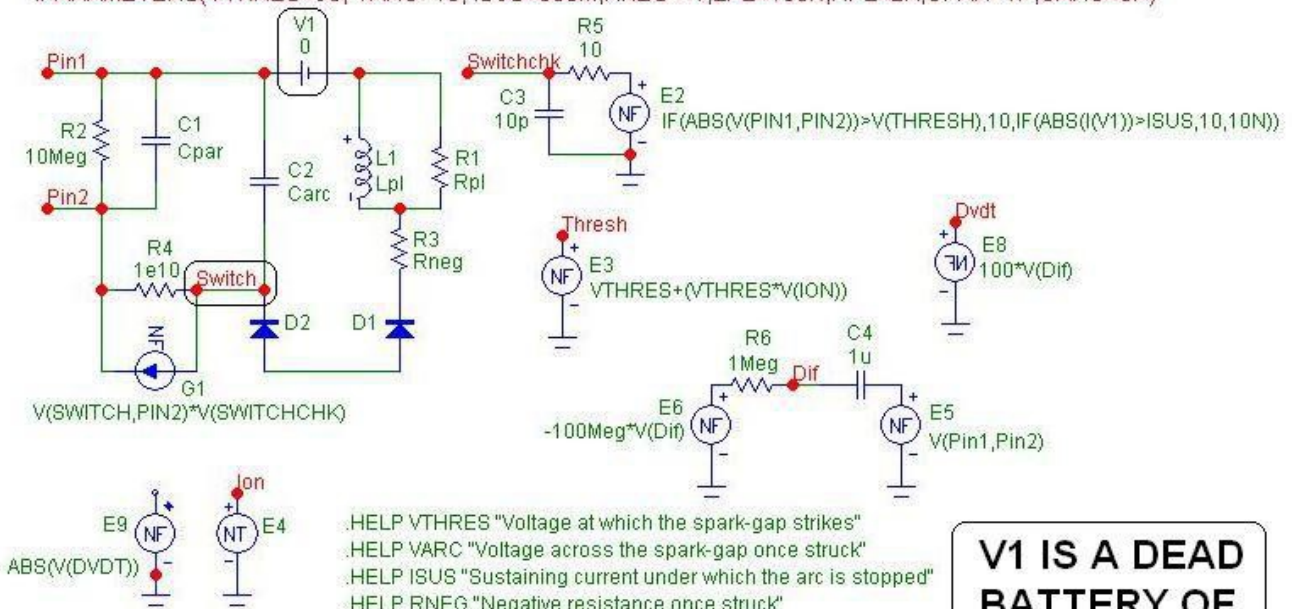




neon bulb

SPARKGAP MACRO

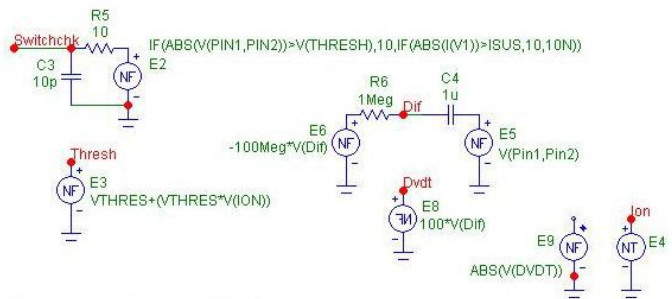
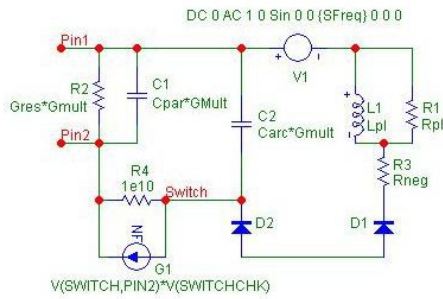
.PARAMETERS(VTHRES=90, VARC=10, ISUS=500M,RNEG=-1,LPL=130N,RPL=2K,CPAR=1P,CARC=3P)



V1 IS A DEAD BATTERY OF ZERO VOLTS

Helium Bulb with Frequency Modulation

.PARAMETERS(SFREQ=10,GMULT=1,GRES=10Meg,CPAR=1u,CARC=3u,VTHRES=54,VARC=6,ISUS=833m,RNEG=-10m,LPL=216.667n,RPL=100m)



.HELP SFREQ "Frequency of Sine Wave Input"

.HELP GMULT "Gap multiplier for its gap and arcing capacitances plus its resistance. Maybe this is equivalent to filling the bulb with a very fine, powdery mixture of quartz sand and carbon dust?"

.HELP GRES "Gap resistance"

.HELP CPAR "Gap capacitance"

.HELP CARC "Arc capacitance"

.HELP VTHRES "Voltage at which the spark-gap strikes"

.HELP VARC "Voltage across the spark-gap once struck"

.HELP ISUS "Sustaining current under which the arc is stopped"

.HELP RNEG "Negative resistance once struck"

.HELP LPL "Lead (electrode) inductance"

.HELP RPL "Lead (electrode) resistance"

SUBSTANTIAL CUT IN PIERCE-ARROW PRICE ANNOUNCED

A substantial reduction in the prices of its touring car models effective after September 1, and a reduction on the prices of its truck models, effective immediately, has been announced by George W. Mixer, president of the Pierce-Arrow Motor Car company.

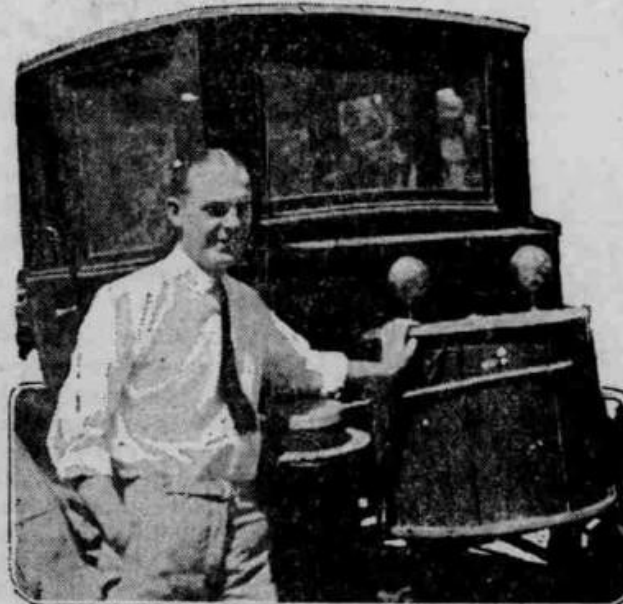
The new price of the standard seven-passenger touring car is \$6,500 at the factory, the inclosed car prices being graded proportionately.

The new prices of its truck models are: \$4,850 for the five-ton size; \$4,350 for the 3½-ton and \$3,200 for the 2-ton.



This Tire

ELECTRICITY "TAKEN FROM AIR" DRIVES AUTOMOBILE



C. E. AMMANN AND HIS "ATMOSPHERIC GENERATOR" ATTACHED TO AN ELECTRIC AUTOMOBILE

DENVER, Colo., Aug. 26.—Demonstrations are being made on the streets of Denver of a new electric generator that is claimed by the inventors to take electricity from the air.

The inventors are J. E. Ammann of Denver, and his brother, C. E. Ammann of Spokane, Wash.

To demonstrate, the brothers borrowed an old electric auto, took out the batteries, and after roping their new "atmospheric generator" fast, they got in and rode off at high speed.

"There is nothing inside the drum that moves; the contents consists only of iron, wire and minerals," says C. E. Ammann.

"It can be used to drive any electrical apparatus and can be made in any size."

The brothers are closely guarding their secret, and even take their "brain-child" when it is not in use, to their room in the Argonaut hotel.

So far the brothers have not offered to sell their proposition.

Electrical men in Denver are waiting "to be shown," but they grant the thing works.

"New C

Buys a brand new s
\$1,625.00 f. o. b. P
automobile. The fa
them to some other
cost of re-shipment
make special terms
cars. There are onl

NEW 1

The same m
rather than reash
excellent satisfact
saving on a high-
pay you to buy an

- \$2,500.00 truck cha
- \$2,700.00 truck cha
- curtains
- \$3,000.00 truck cha
- open express bod

All of the al
This offer w
few days only. If
given to ship them

"TWO REAL

Dodge Coupe
car for private use
1921 Nash 7
extra equipment,
covers and will m
Special terms on e

Then we ha
Dodge Comr
Ford Coupe
Hudson Sup
1921 Essex

AUTO INSURANCE

balance bodies was the highlight of

FREE ENERGY, ie. THE OVERUNITY OF THE COEFFICIENT OF PERFORMANCE, OBEYS OHM'S LAW!

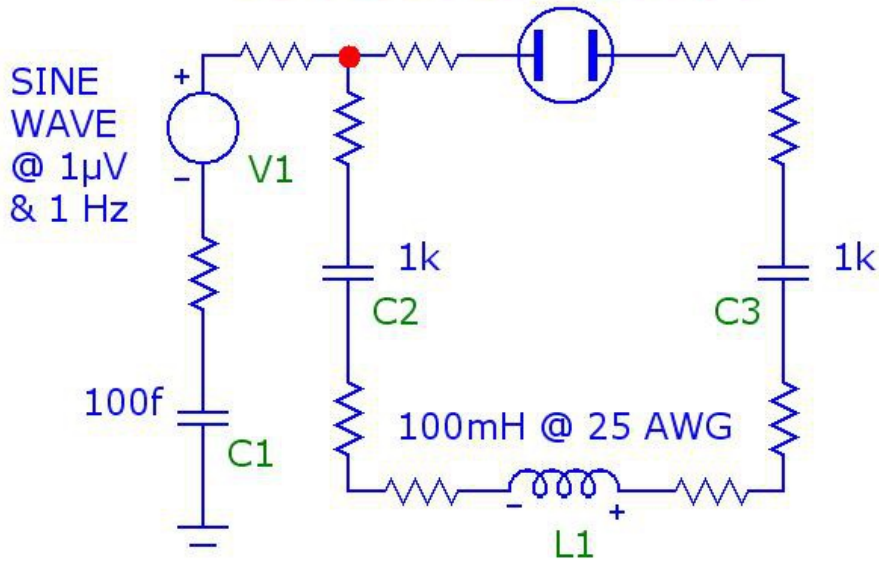
16. INSTANT ENERGY RELEASE AS INFINITY

Phenomena of enormous magnitude manifest themselves when the criteria for voltage or potential difference is instantly disrupted, as with a short circuit. The effect is analogous with the open circuit of inductive current. Because the forcing voltage is instantly withdrawn the field explodes against the bounding conductors with a velocity that may exceed light. Because the current is directly related to the velocity of field it jumps to infinity in its attempt to produce finite voltage across zero resistance. If considerable energy had resided in the dielectric force field, again let us say several K.W.H. the resulting explosion has almost inconceivable violence and can vaporize a conductor of substantial thickness instantly. Dielectric discharges of great speed and energy represent one of the most unpleasant experiences the electrical engineer encounters in practice.

Pt.2 - Aether - Eric Dollard SFTS Powerpoint, p.49

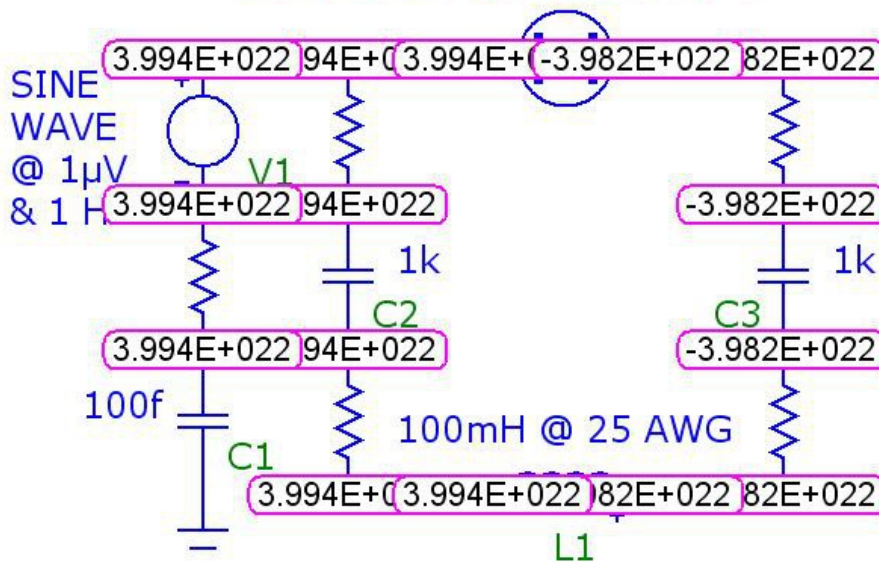
<http://is.gd/aetherdollard>

DC 0 AC 1 0 Sin 0 1u 1 0 0 0

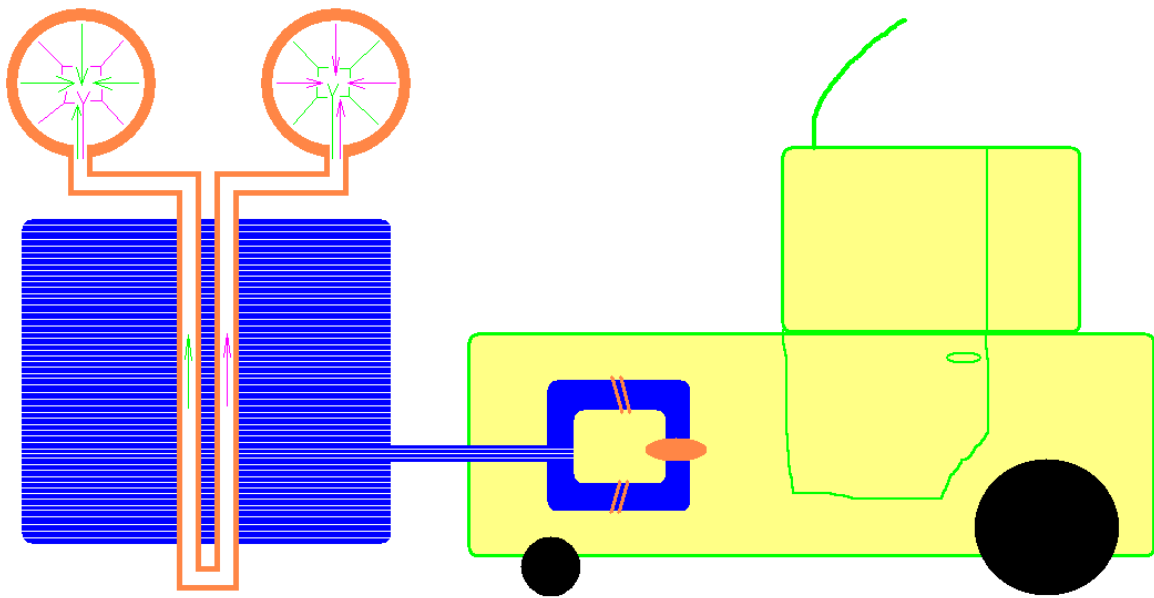
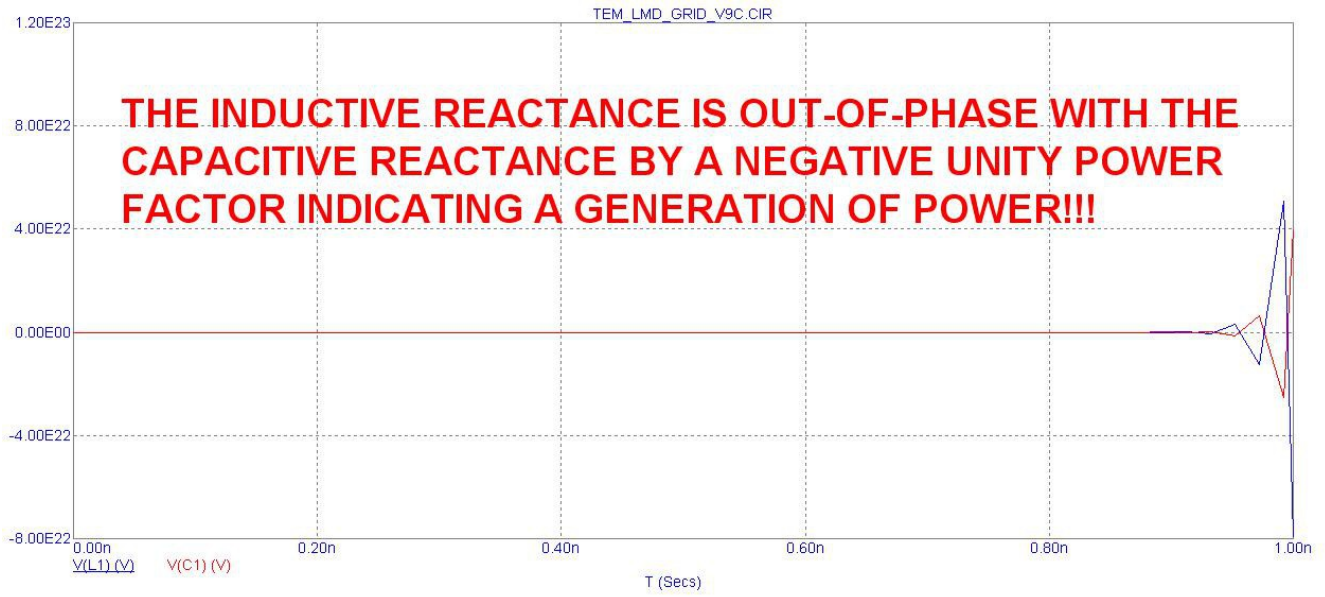


All resistors are 1μ Ohm. All capacitors have 10m OhmS of equivalent series resistance.

DC 0 AC 1 0 Sin 0 1u 1 0 0 0

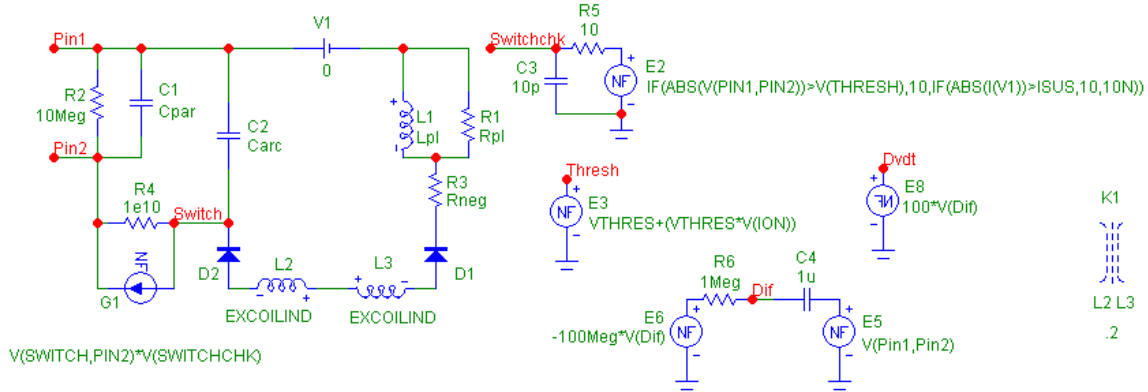


All resistors are 1μ Ohm. All capacitors have 10m OhmS of equivalent series resistance.



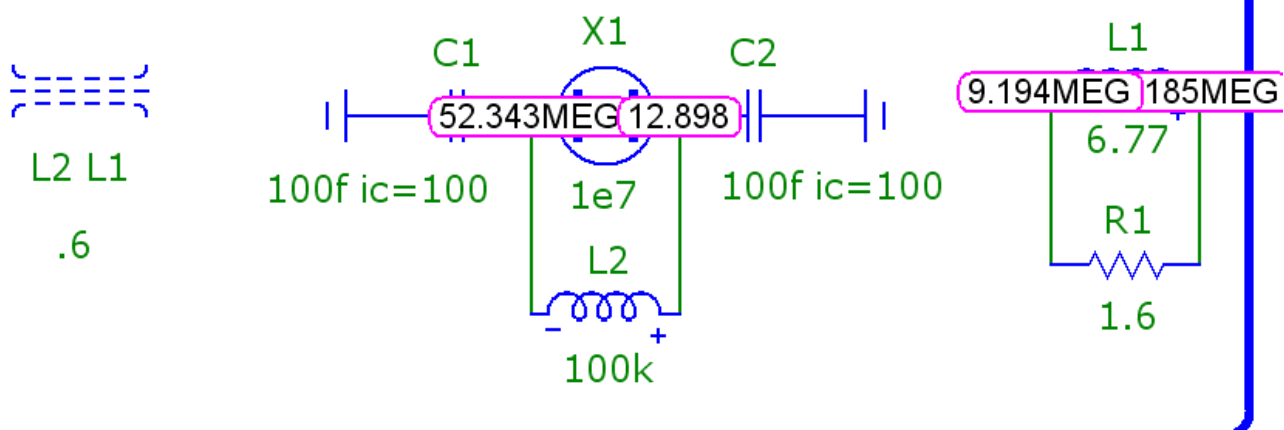
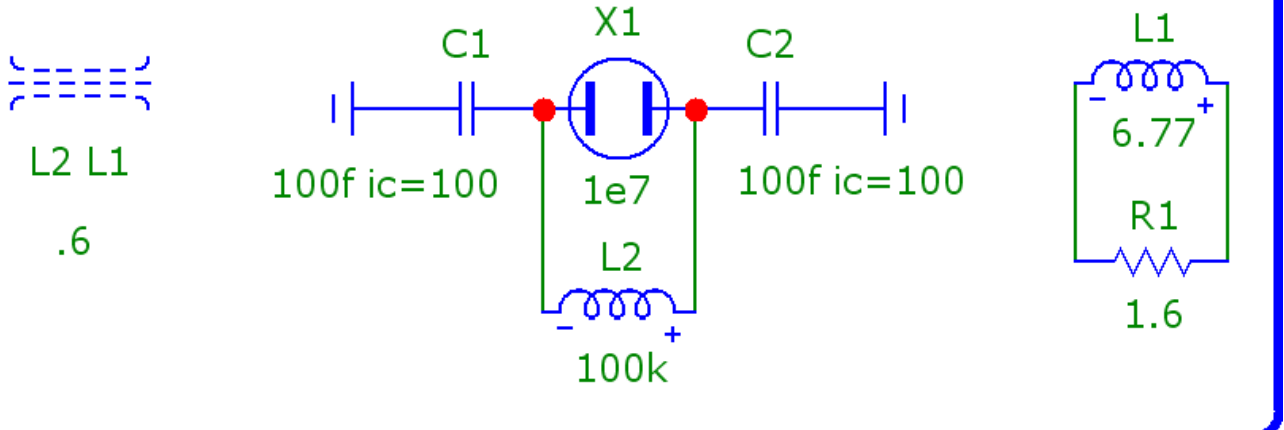
NEON BULB SPARK GAP WRAPPED WITH AN EXTERIOR COIL » L2 & L3

.PARAMETERS(EXCOILIND=1e7,VTHRES=90, VARC=10, ISUS=500M,RNEG=-1,LPL=130N,RPL=2K,CPAR=1P,CARC=3P)



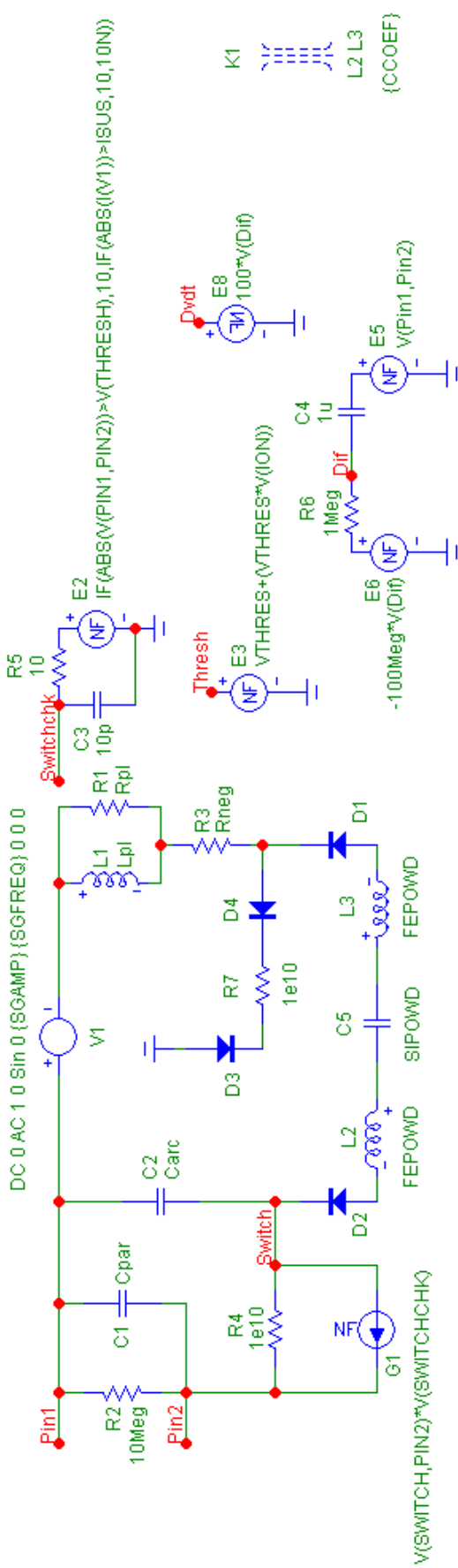
.HELP EXCOILIND "Inductance of coils, L2 and L3, with inverted windings. Each possesses zero series resistance and is wrapped around this neon bulb, aka. spark gap."

- .HELP VTHRES "Voltage at which the spark-gap strikes"
- .HELP VARC "Voltage across the spark-gap once struck"
- .HELP ISUS "Sustaining current under which the arc is stopped"
- .HELP RNEG "Negative resistance once struck"
- .HELP LPL "Lead/electrode inductance"
- .HELP RPL "Lead/electrode resistance"
- .HELP CPAR "Gap capacitance"
- .HELP CARC "Arc capacitance"



FREQUENCY & AMPLITUDE MODULATED, NEON BULB, SPARK GAP FILLED WITH POWDERED IRON REPRESENTS A PAIR OF INVERTED COILS » L2 & L3 AND POWDERED SILICA REPRESENTED BY CAPACITOR » C5.

.PARAMETERS(FEPOWD=1e2,CCOEEF=2,SIPOWD=1e30,SGFREQ=10,SGAMP=1U,VTHRES=90, VARC=10, ISUS=500M,RNEG=-1,LPL=130N,RPL=2K,CPAR=1P,CARC=3P)



- .HELP FEPOWD "Inductance of L2 and L3, of inverted windings and zero series resistance, represents powdered iron suffusing the interior of this neon bulb, aka. spark gap."
- .HELP CCOEF "Coupling coefficient between inductors, L2 and L3"
- .HELP SIPOWD "Capacitance of C5 with 3 Ohms of equivalent series resistance (analogous to tantalum dielectric) represents powdered silica suffusing the interior."
- .HELP SGFREQ "Frequency of sine wave input into spark gap, neon bulb"
- .HELP SGAMP "Amplitude of sine wave input into spark gap, neon bulb"
- .HELP VTHRES "Voltage at which the spark-gap strikes"
- .HELP VARC "Voltage across the spark-gap once struck"
- .HELP ISUS "Sustaining current under which the arc is stopped"
- .HELP RNEG "Negative resistance once struck"
- .HELP LPL "Lead/electrode inductance"
- .HELP RPL "Lead/electrode resistance"
- .HELP CPAR "Gap capacitance"
- .HELP CARC "Arc capacitance"