

Does Michael Faraday's Law of Induction concern itself with the conversion (consumption / conservation) of alternating (A/C) power or with the generation of alternating power?

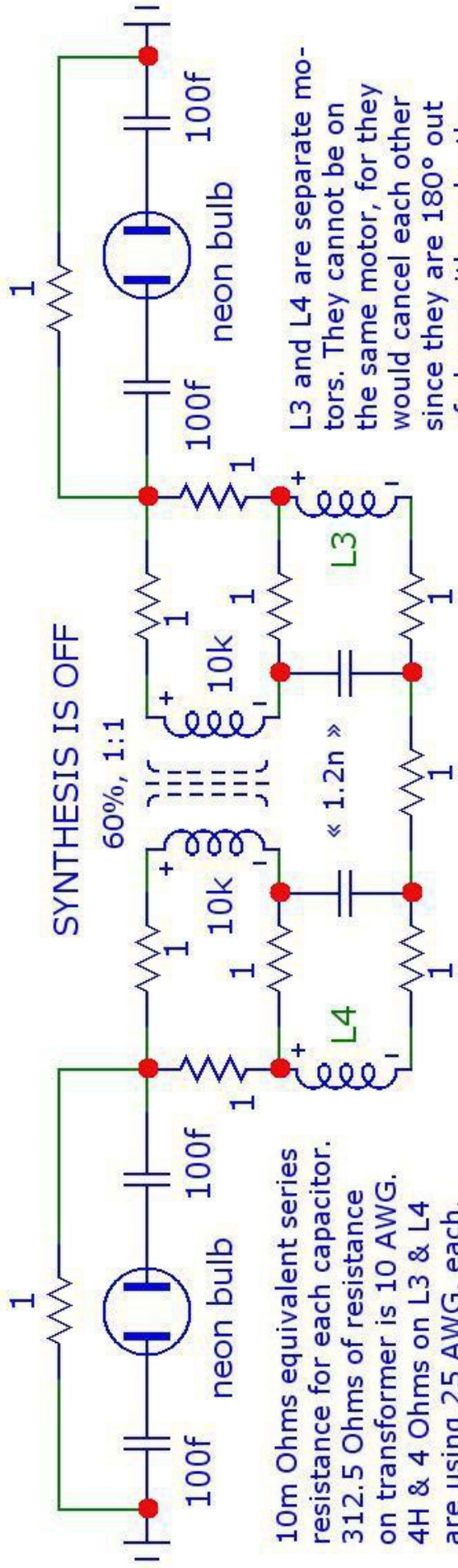
I think it is the former. The latter condition of the synthesis (generation) of power is a standing wave which cannot dissipate, ie. it cannot exit the circuit as: heat, or light, or mechanical motion of a coil unless it is first converted. But for this conversion to occur, it can no longer exhibit a standing wave pattern in which its phase of voltage and its phase of current are diametrically opposed in polarity (with  $180^\circ$  of separation between them). Instead, in order for conversion to occur, it must realign the phase polarities of its voltage and current to exhibit a maximum power factor to manifest, and maximize, the output of this conversion of power. Otherwise, the standing wave pattern will force a constant build up of reactive power which will, eventually, destroy the circuit which hosts this condition.

Hence, Michael Faraday's Law of Induction is a narrow niche, for it merely defines the consumption of power while ignoring its generation.

Energy is always moving, ie. undergoing changes, but standing waves of energy do not move. Their energy moves, yet their wave pattern does not move.

It is only a moving wave pattern which can be conserved. Everybody is so focused on the conservation of energy while ignoring the non-conservation of their standing waves. For, it is their patterns, not their energy, which defines the consumption or the generation of power.

Here is the data in the format of screenshots of the simulation of a circuit in Micro-Cap -- which is a flavor of Berkeley SPICE authored by Spectrum-Soft...



SYNTHESIS IS OFF

60%, 1:1

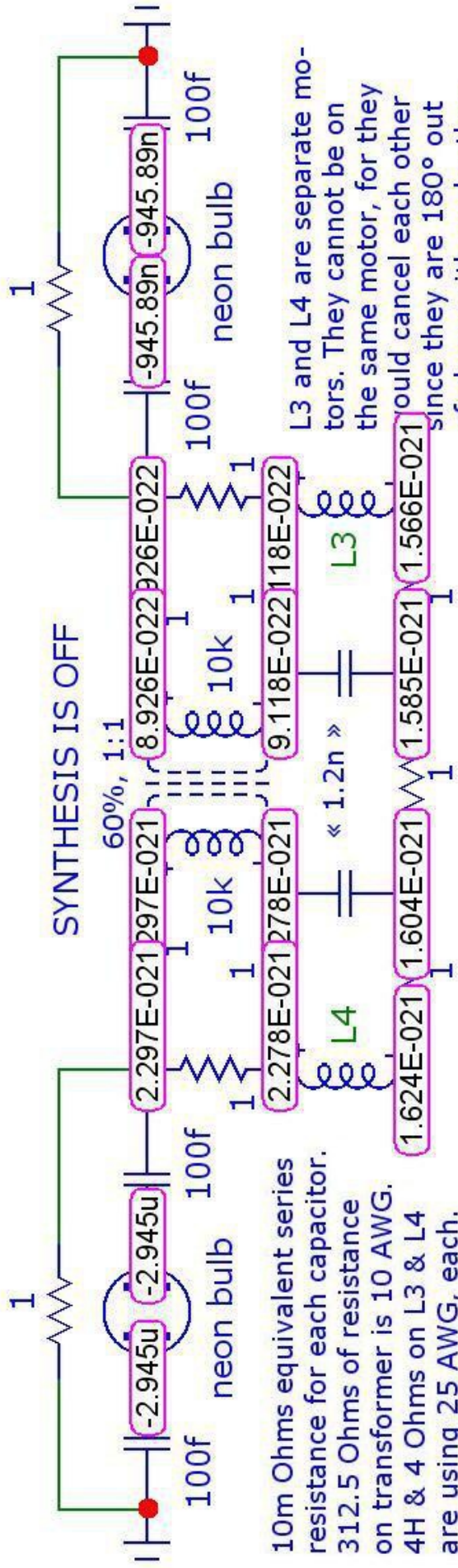
10m Ohms equivalent series resistance for each capacitor. 312.5 Ohms of resistance on transformer is 10 AWG. 4H & 4 Ohms on L3 & L4 are using 25 AWG, each.

L3 and L4 are separate motors. They cannot be on the same motor, for they would cancel each other since they are 180° out of phase with each other.

INCREASE THESE 2 CAPACITORS FOR MORE POWER

Zero Watts in 2½ min on L3 & L4.

gear approx. and 1 = reitool



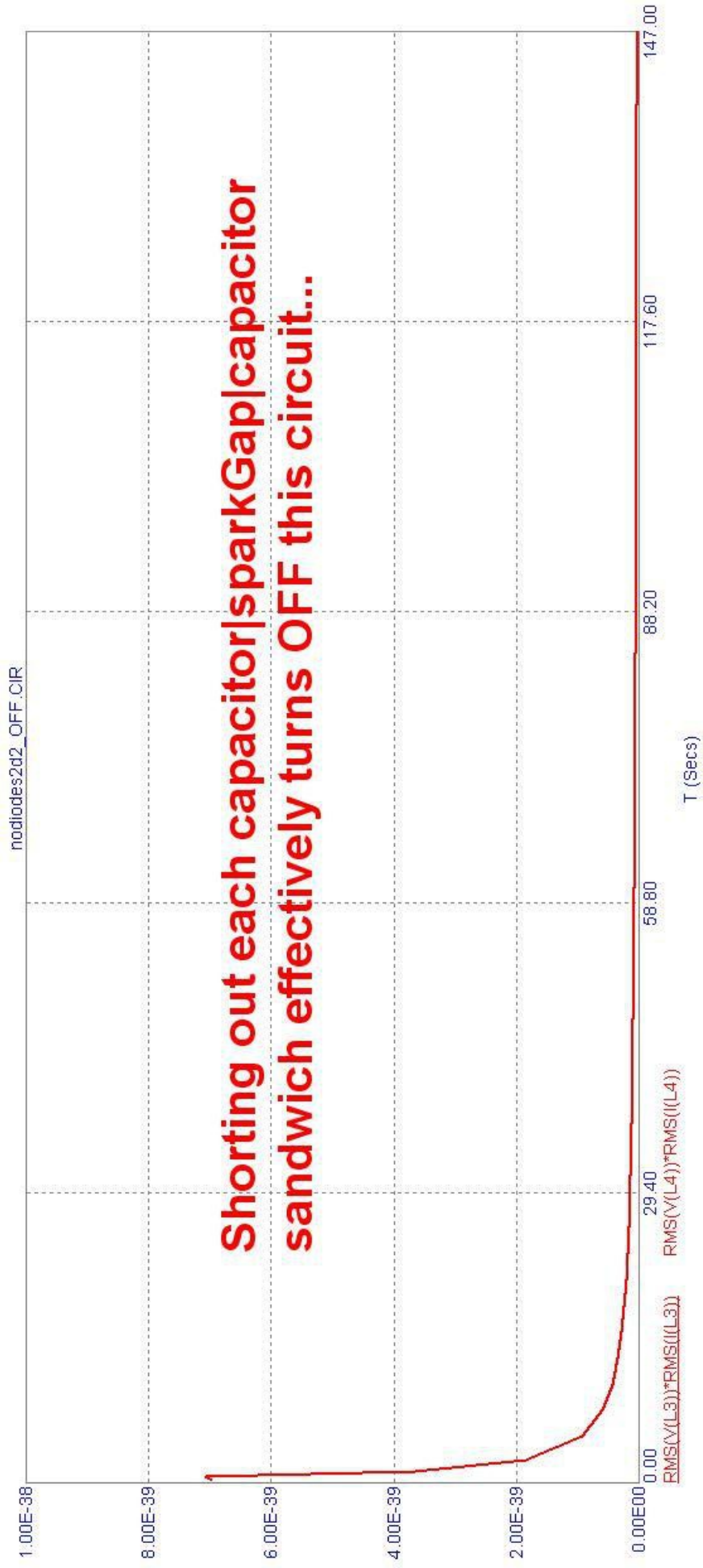
10m Ohms equivalent series resistance for each capacitor. 312.5 Ohms of resistance on transformer is 10 AWG. 4H & 4 Ohms on L3 & L4 are using 25 AWG, each.

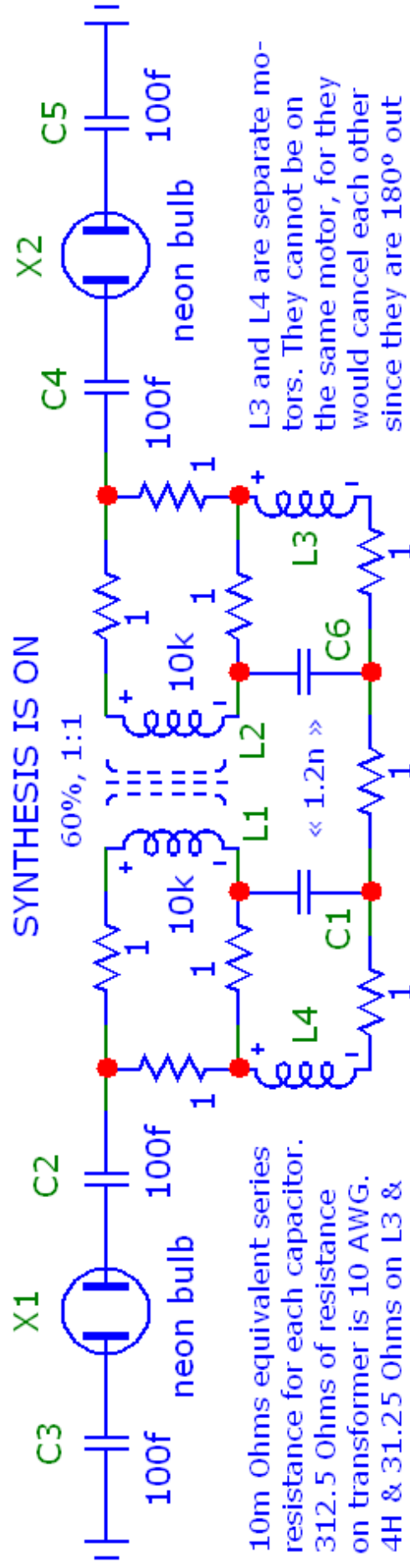
Zero Watts in 2 1/2 min on L3 & L4.

L3 and L4 are separate motors. They cannot be on the same motor, for they would cancel each other since they are 180° out of phase with each other.

gear approx. and 1 = reitolt

INCREASE THESE 2 CAPACITORS FOR MORE POWER





10m Ohms equivalent series resistance for each capacitor.  
 312.5 Ohms of resistance on transformer is 10 AWG.  
 4H & 31.25 Ohms on L3 & L4 are using ~34 AWG, each.

L3 and L4 are separate motors. They cannot be on the same motor, for they would cancel each other since they are 180° out of phase with each other.

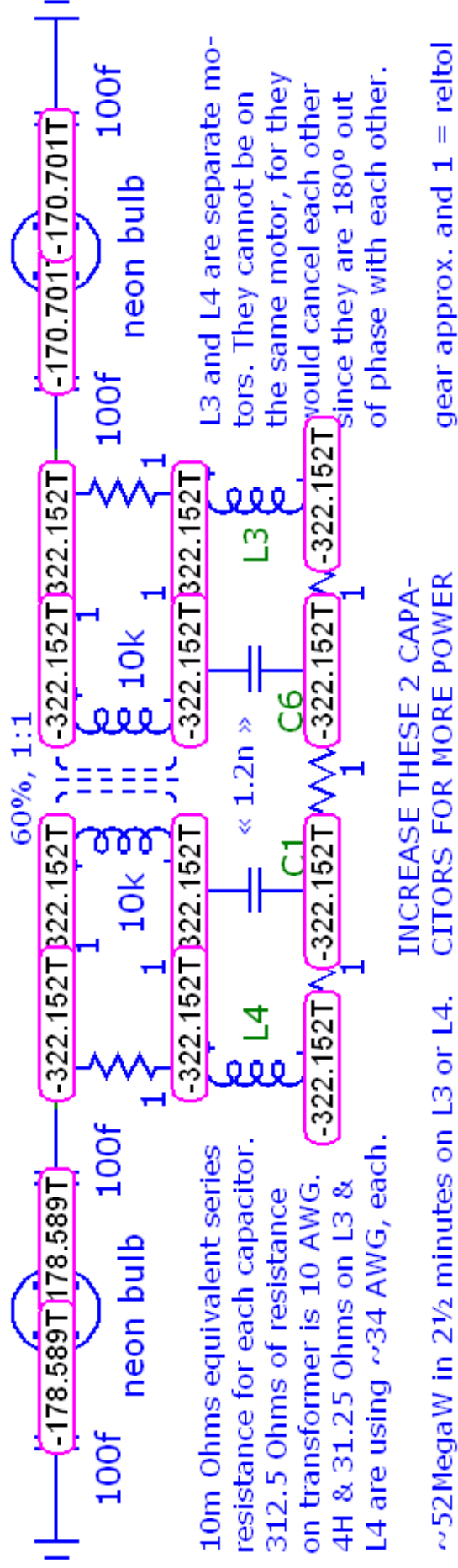
INCREASE THESE 2 CAPACITORS FOR MORE POWER

81W+100W in 2½ minutes on L3+L4.

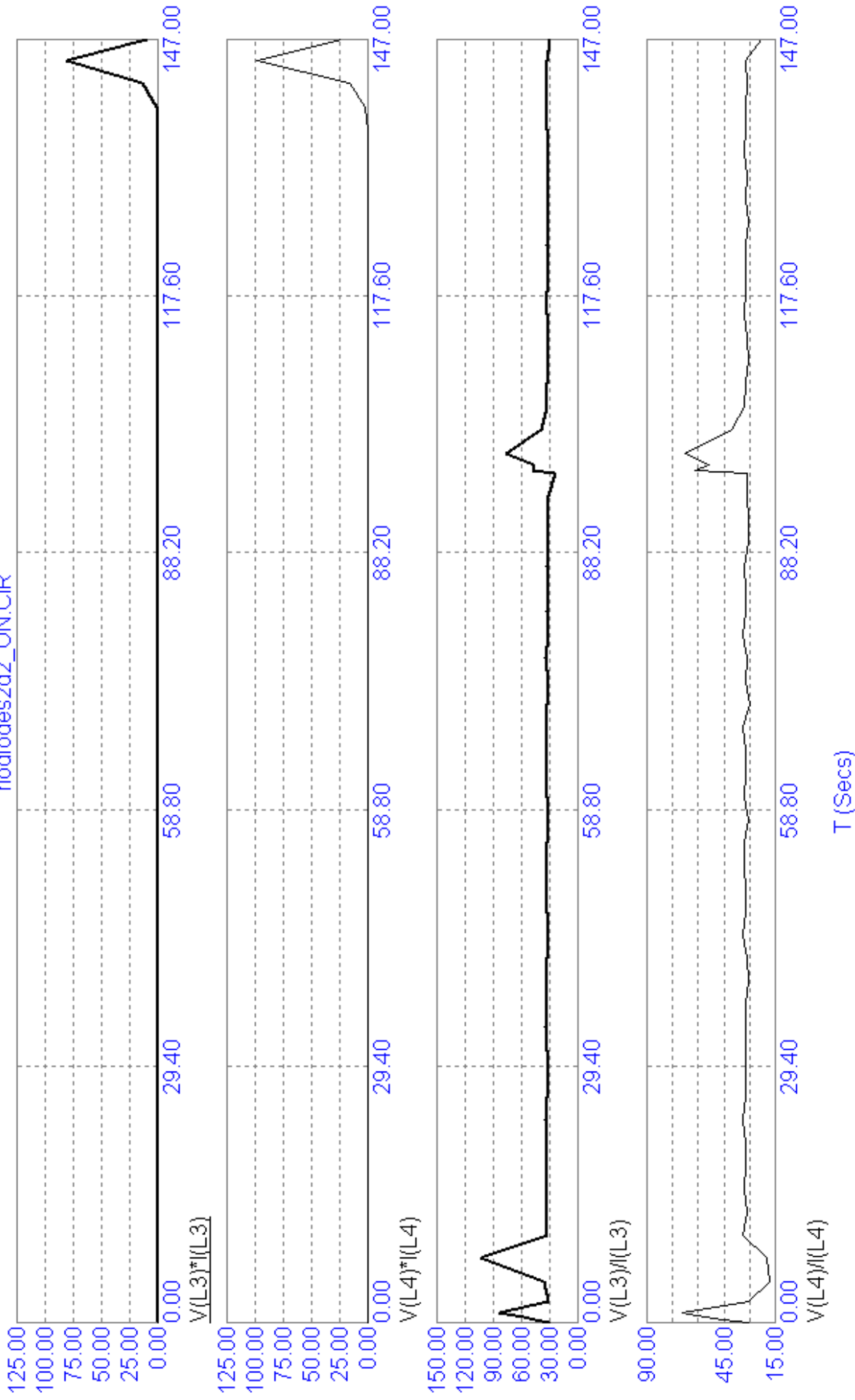
gear approx. and 1 = reltol



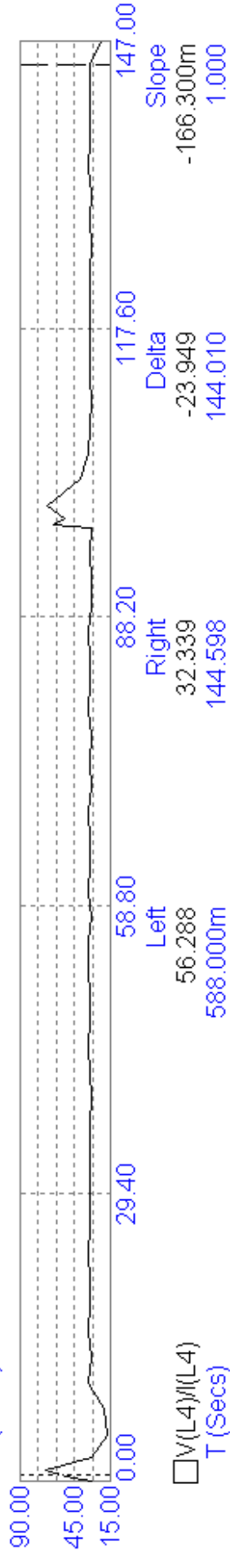
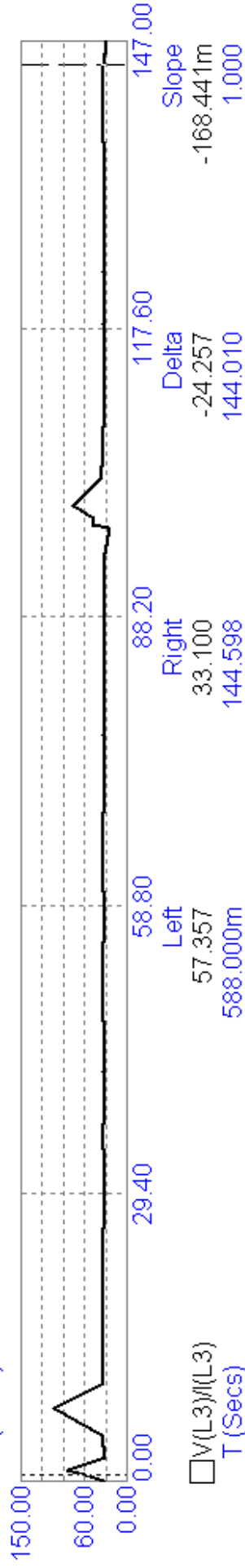
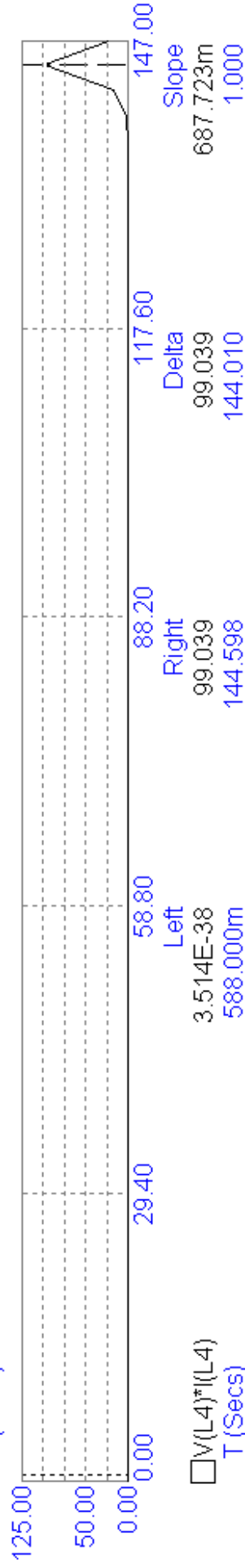
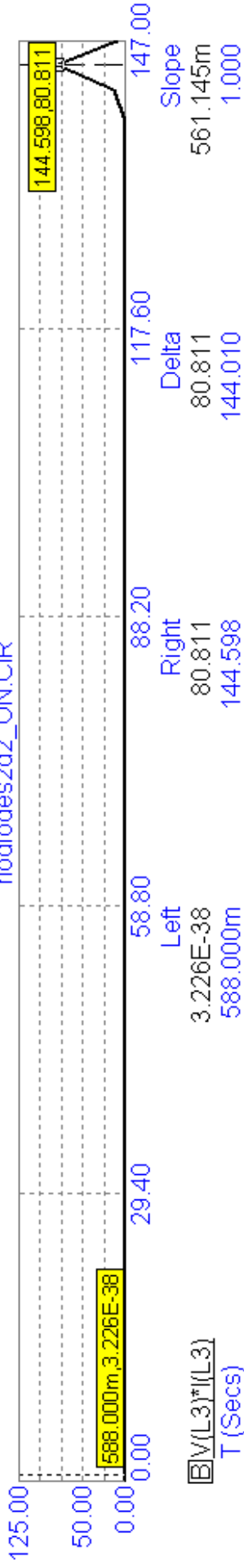
### SYNTHESIS IS ON



nodiodes2d2\_ON.CIR

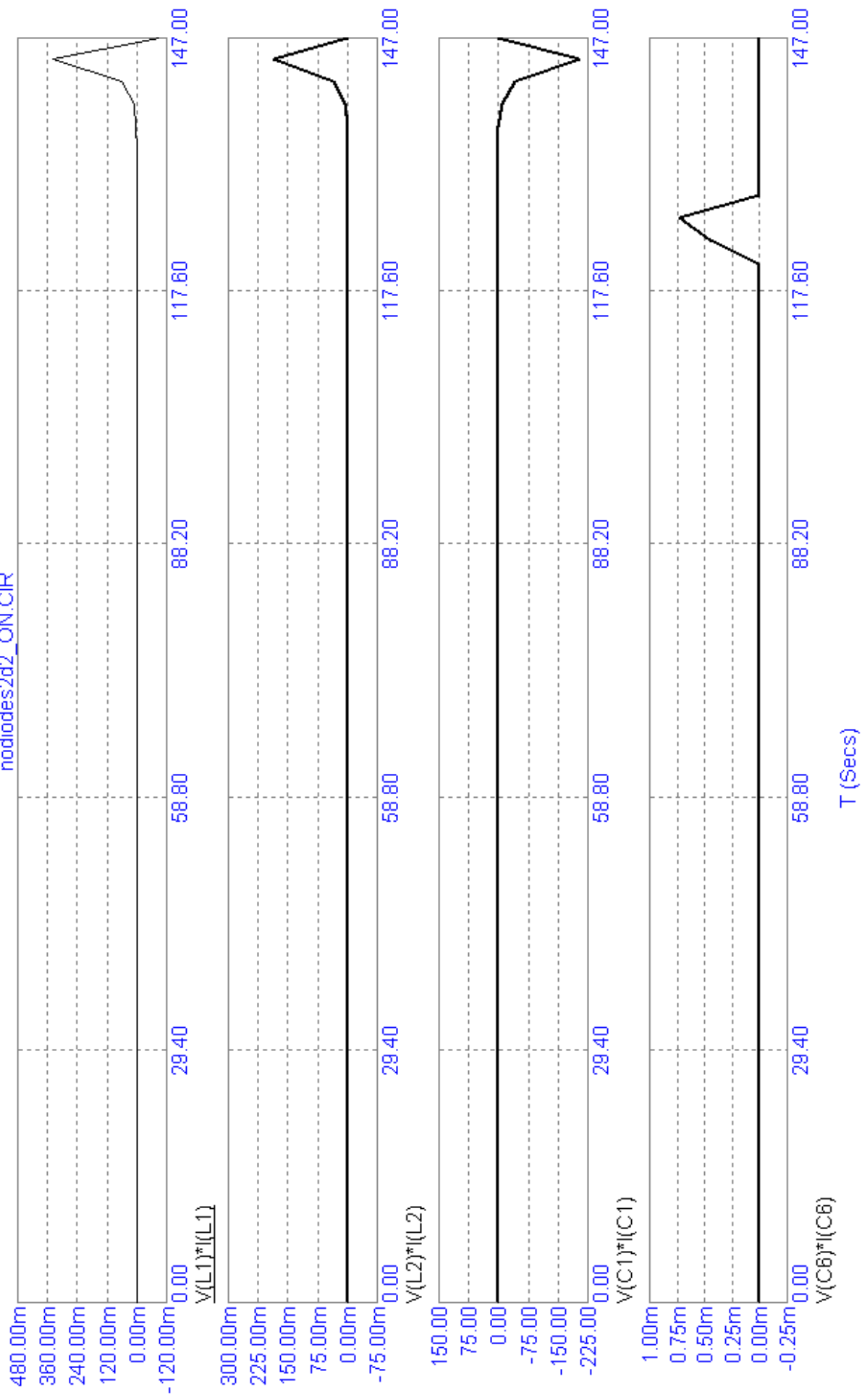


nodiodes2d2\_ON.CIR

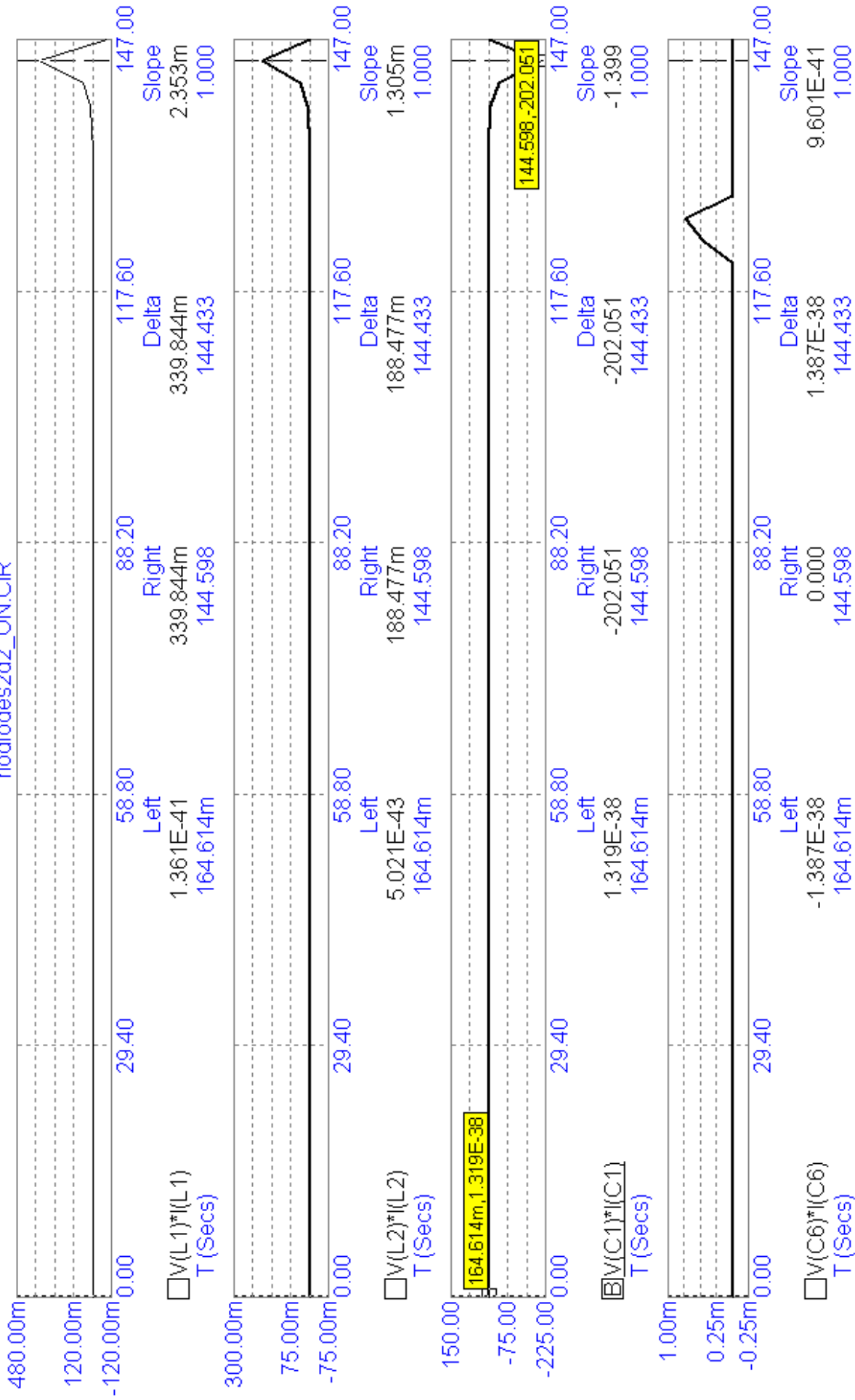


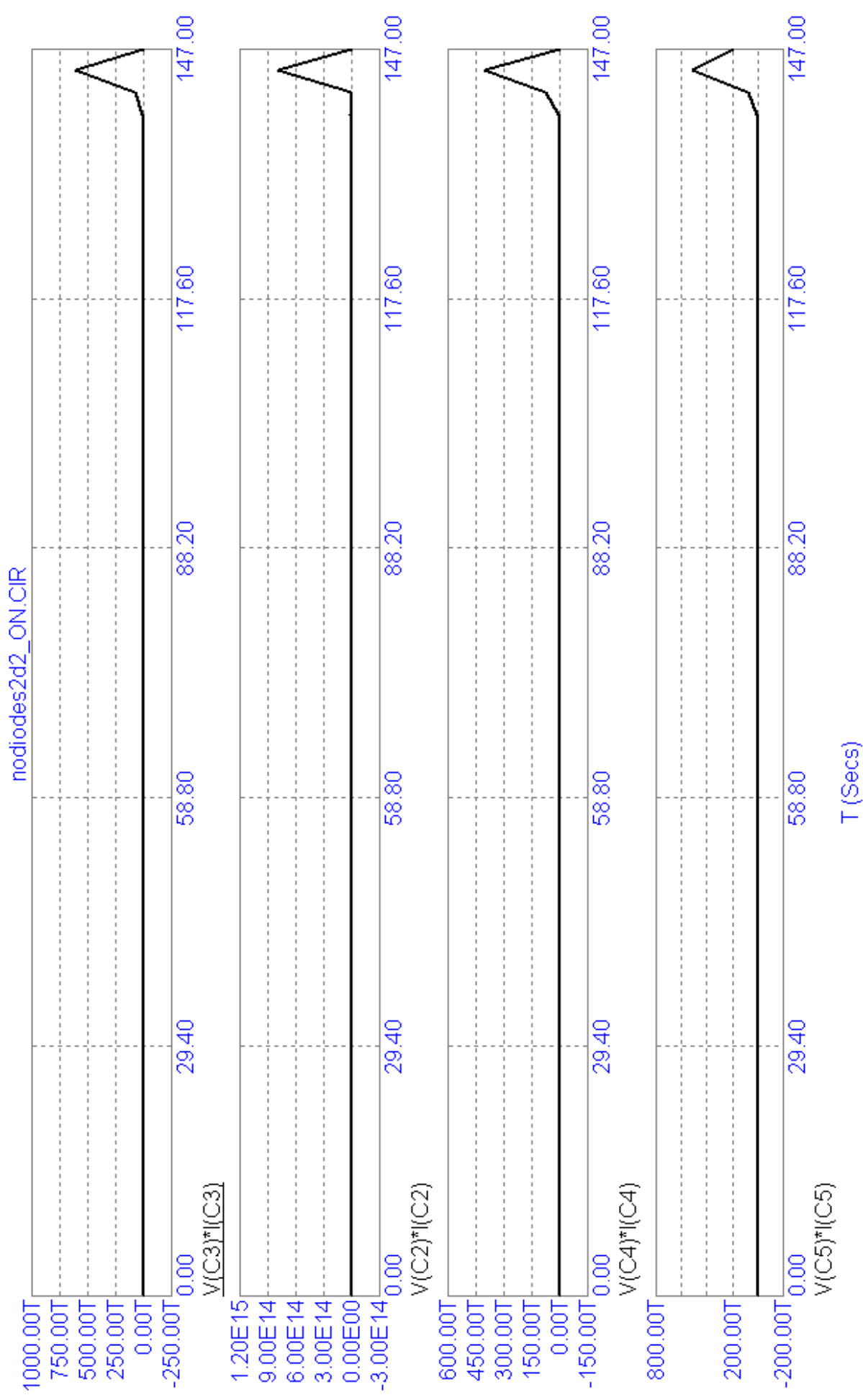


nodiodes2d2\_ON.CIR

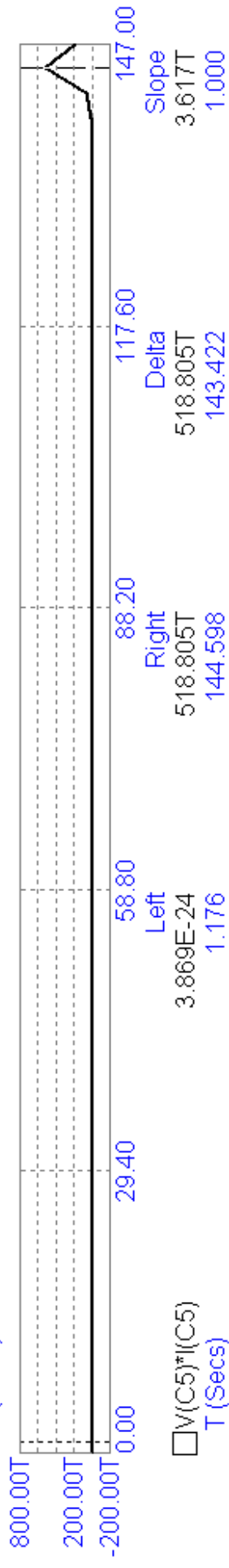
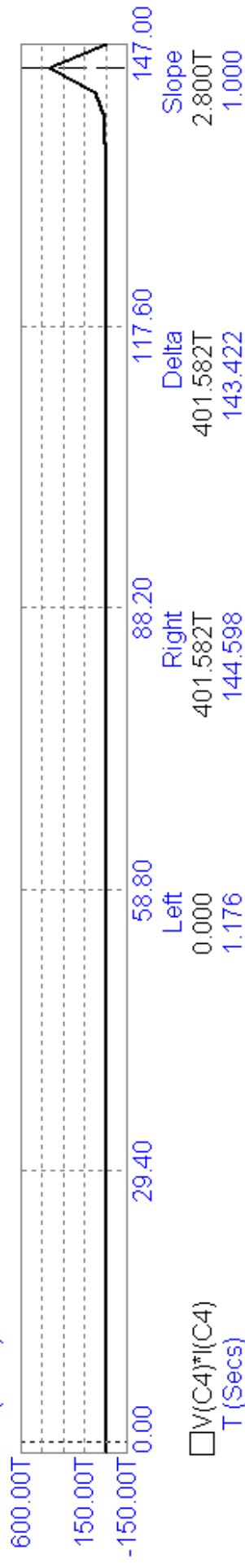
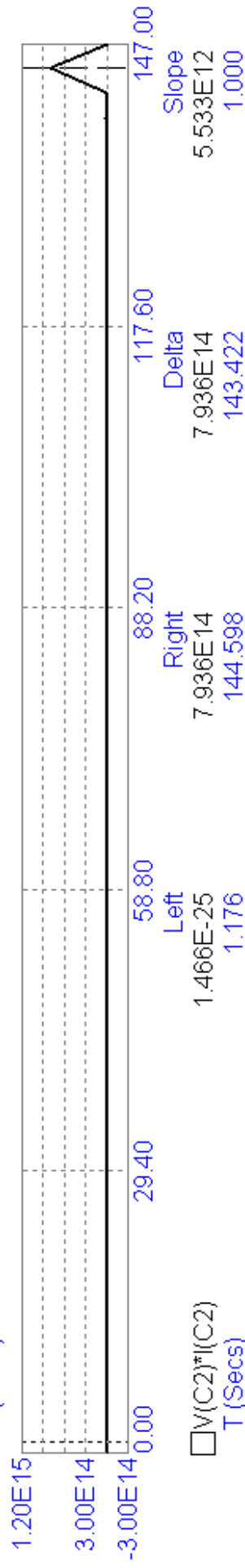
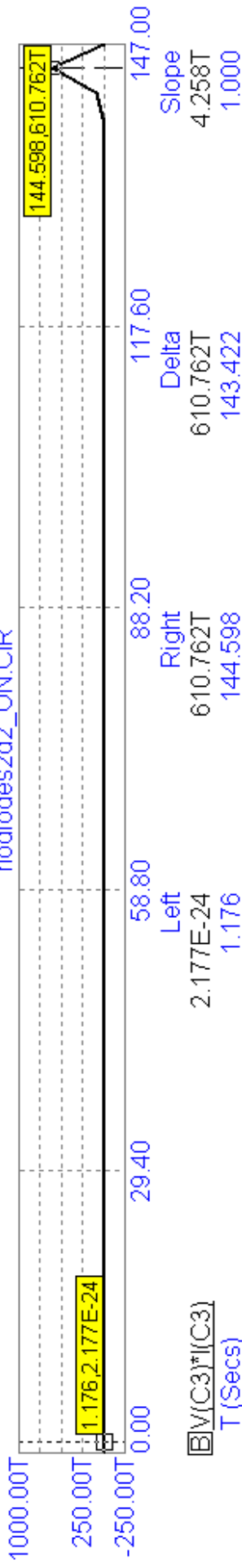


nodiodes2d2\_ON.CIR





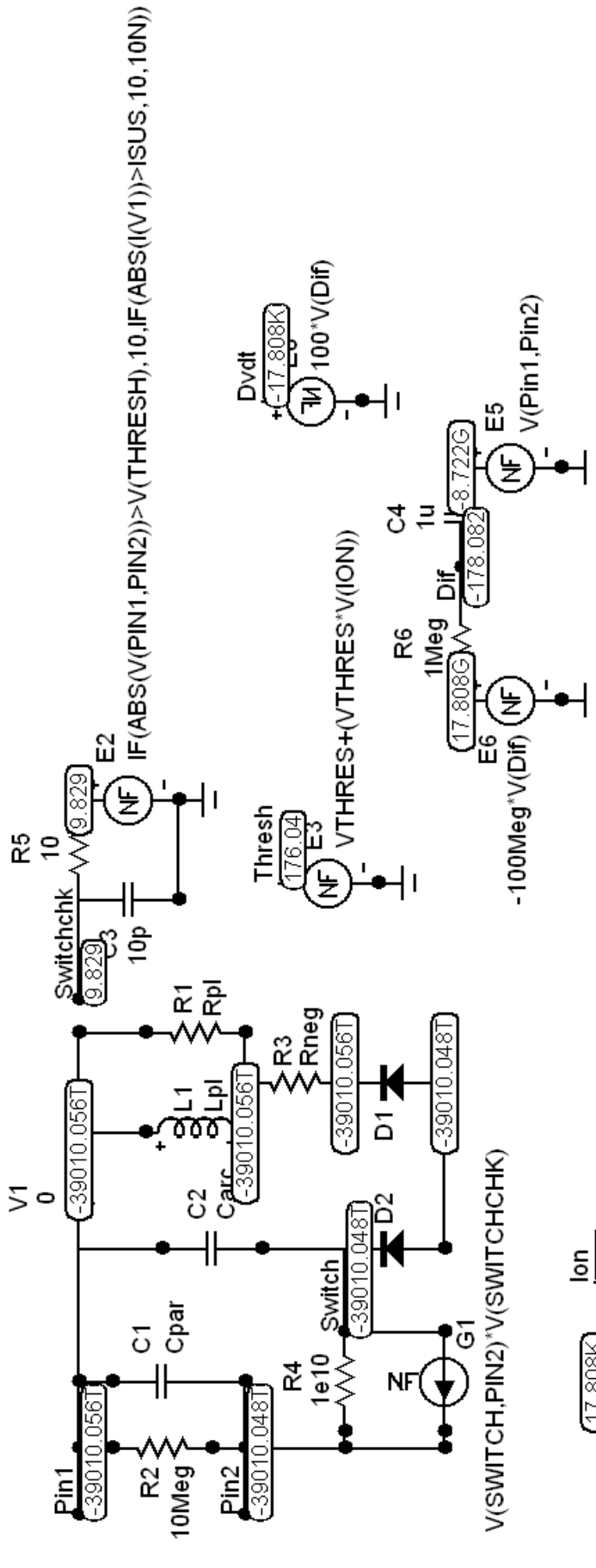
nodiodes2d2\_ON.CIR



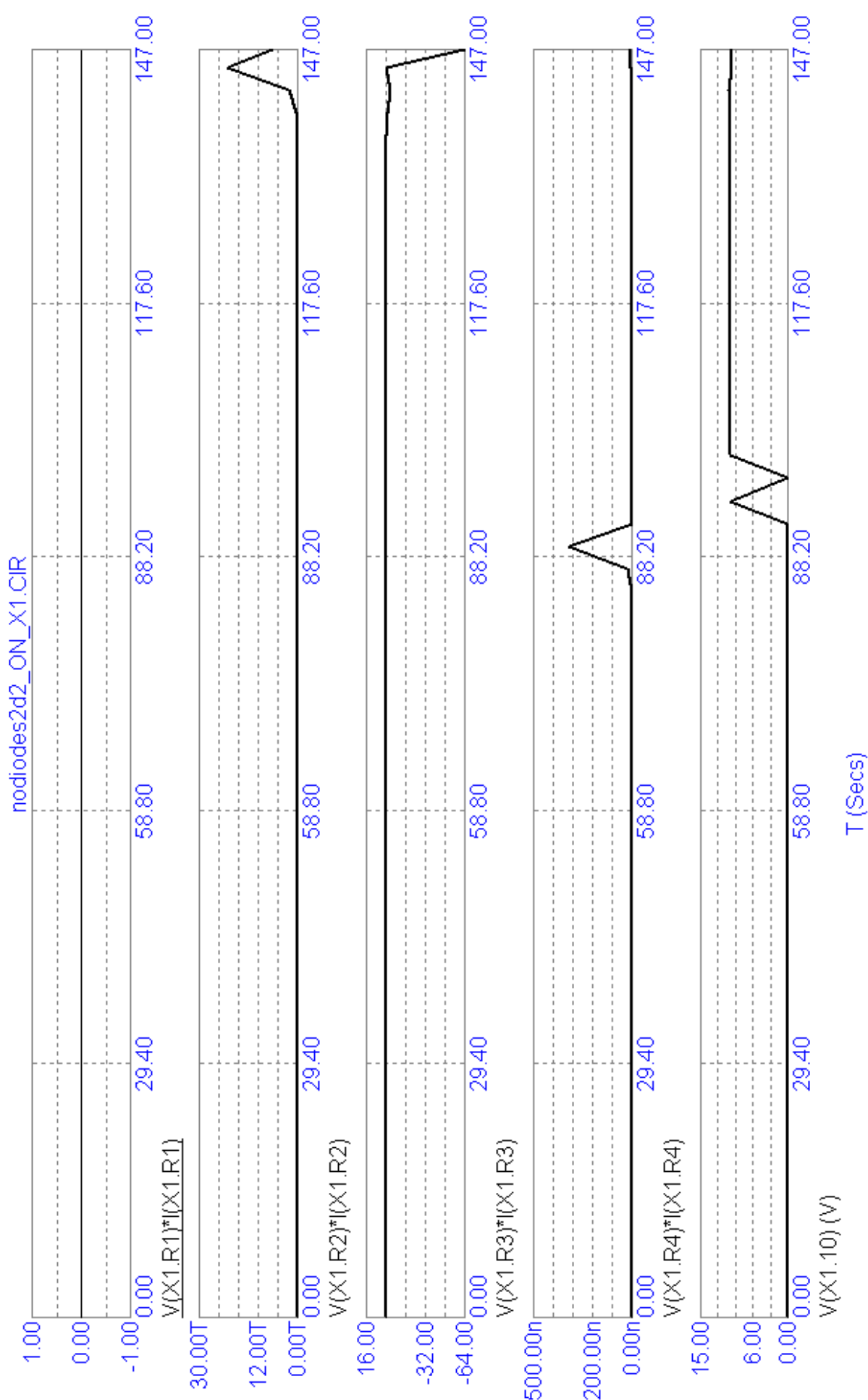
# Nodal Voltages for X1 subcircuit, macro (Micro-Cap).

## NEON BULB, SPARK GAP MACRO

.PARAMETERS(VTHRES=90, VARC=10, ISUS=500M,RNEG=-1,LPL=130N,RPL=2K,CPAR=1P,CARC=3P)



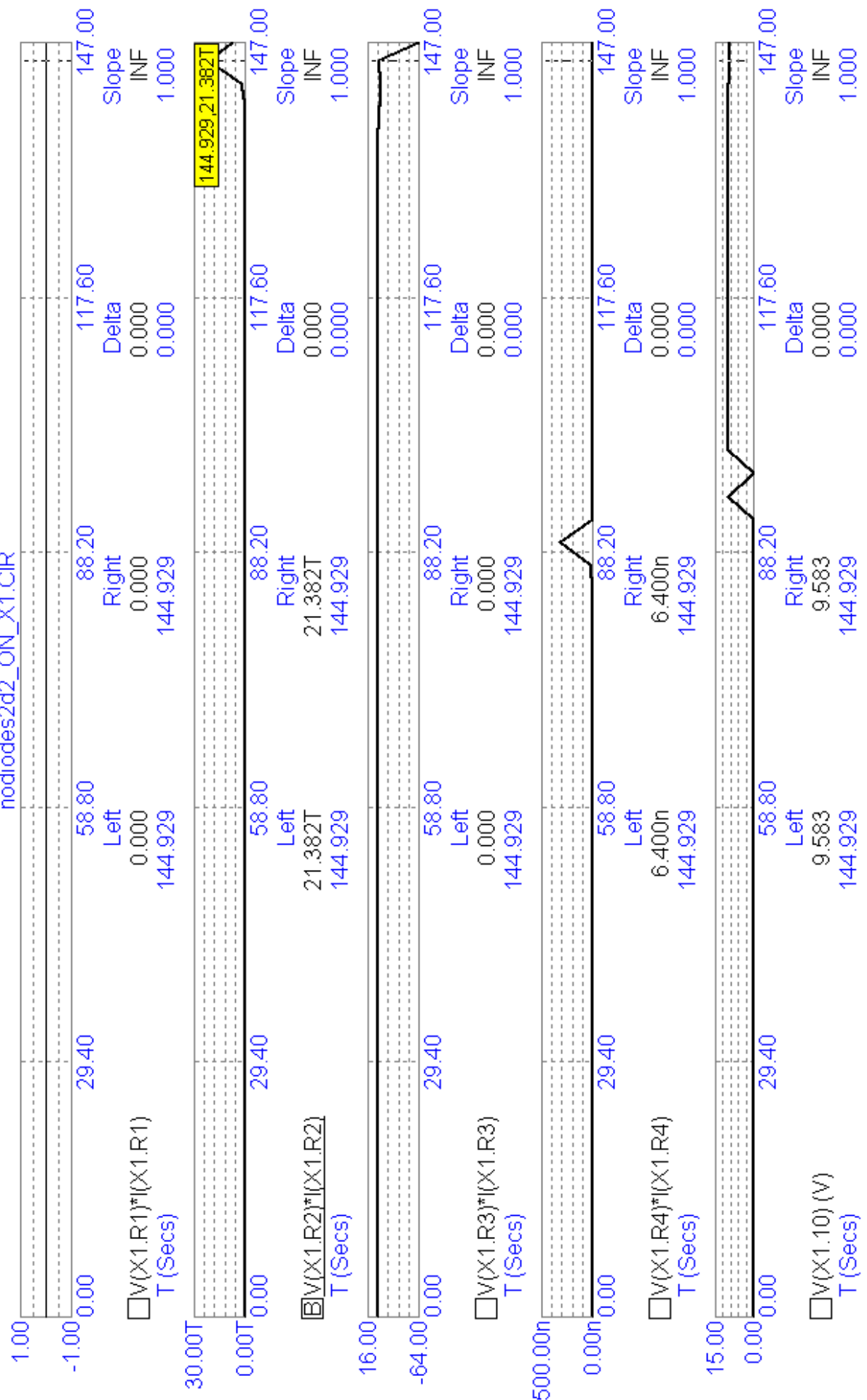
- .HELP VTHRES "Voltage at which the spark-gap strikes"
- .HELP VARC "Voltage across the spark-gap once struck"
- .HELP ISUS "Sustaining current under which the arc is stopped"
- .HELP RNEG "Negative resistance once struck"
- .HELP LPL "Lead/electrode inductance"
- .HELP RPL "Lead/electrode resistance"
- .HELP CPAR "Gap capacitance"
- .HELP CARC "Arc capacitance"

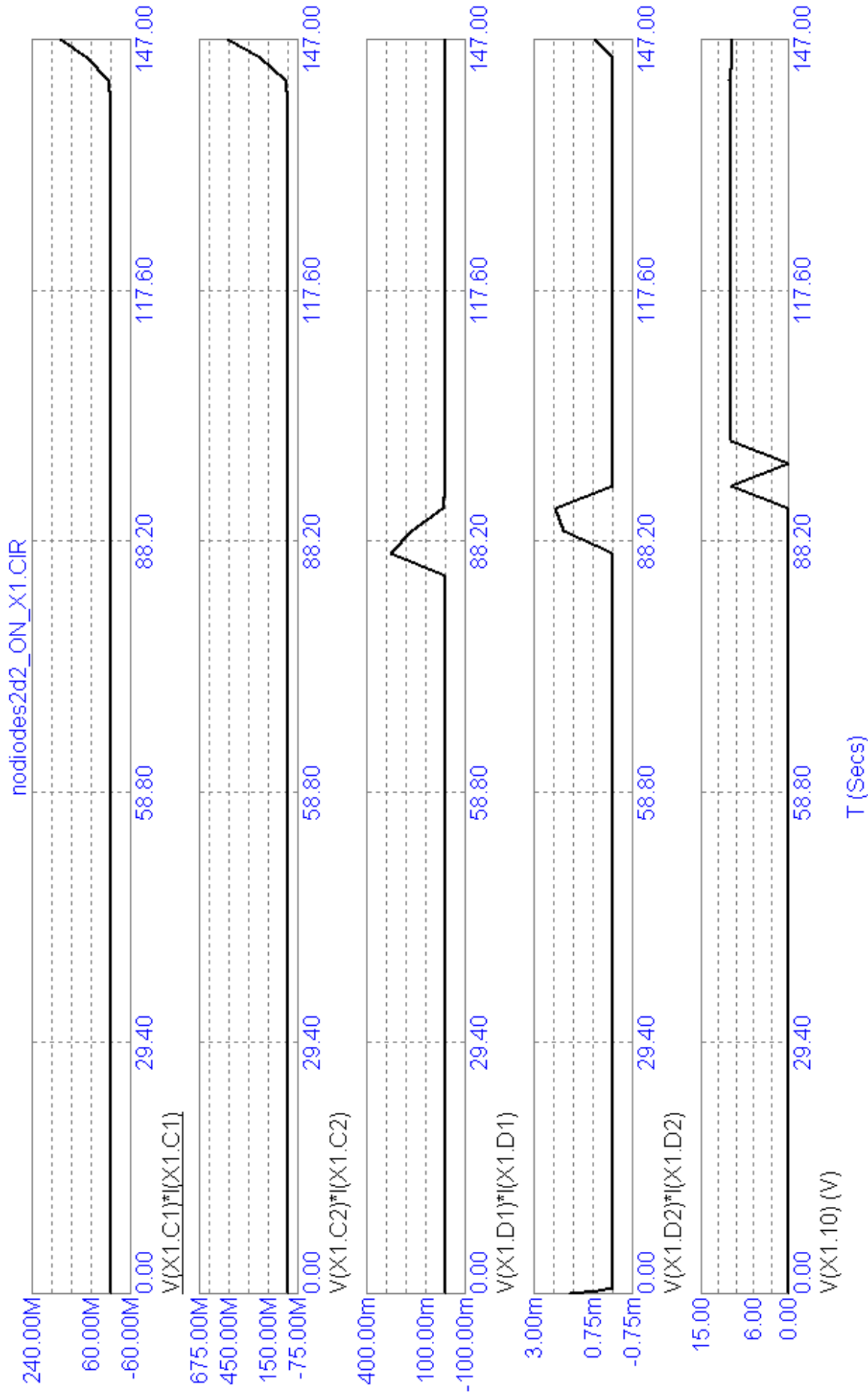


Node X1.10 tells us if this spark gap is ON if it equals ~10V. If ~10nV, then OFF.

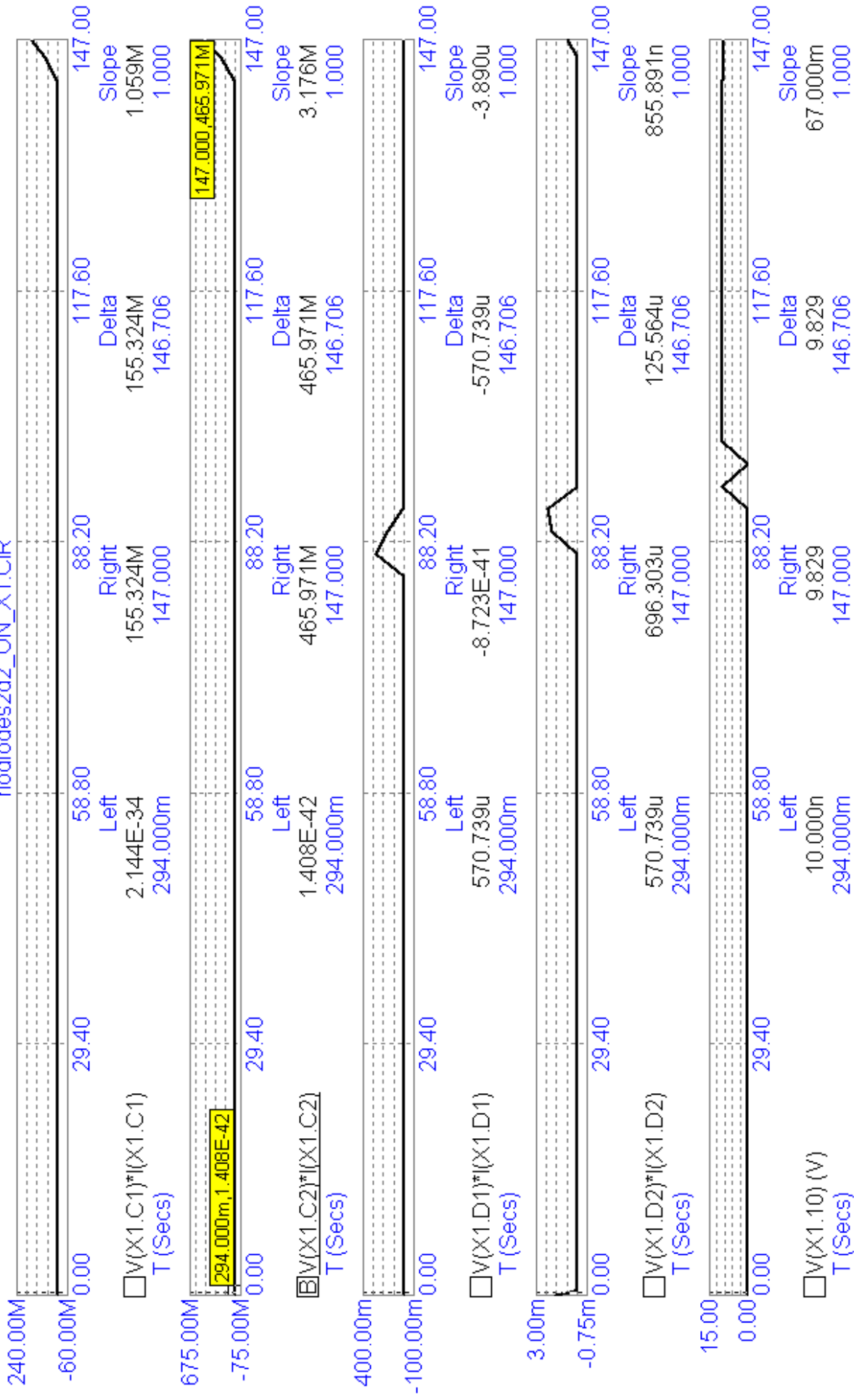


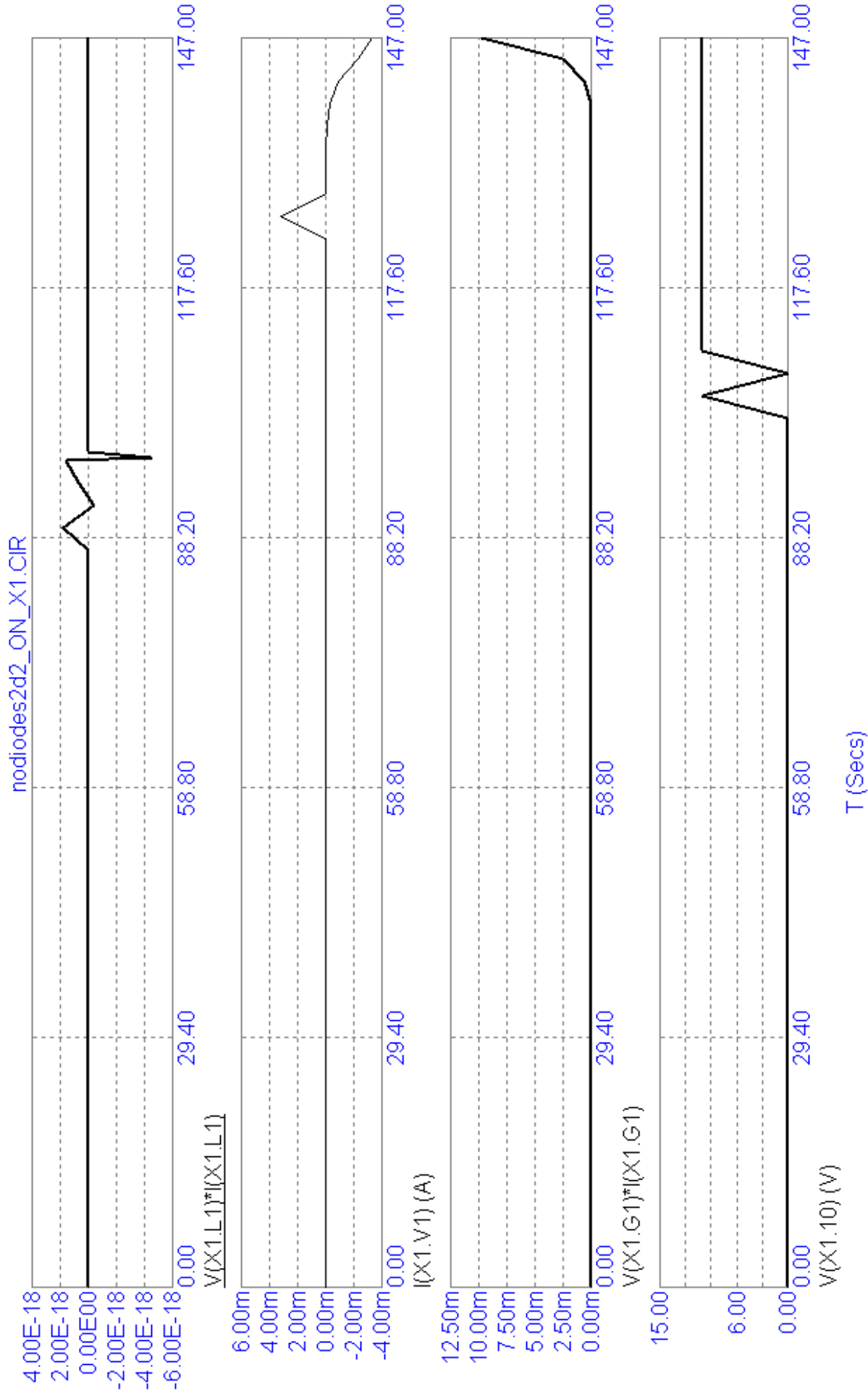
nodiodes2d2\_ON\_X1.CIR

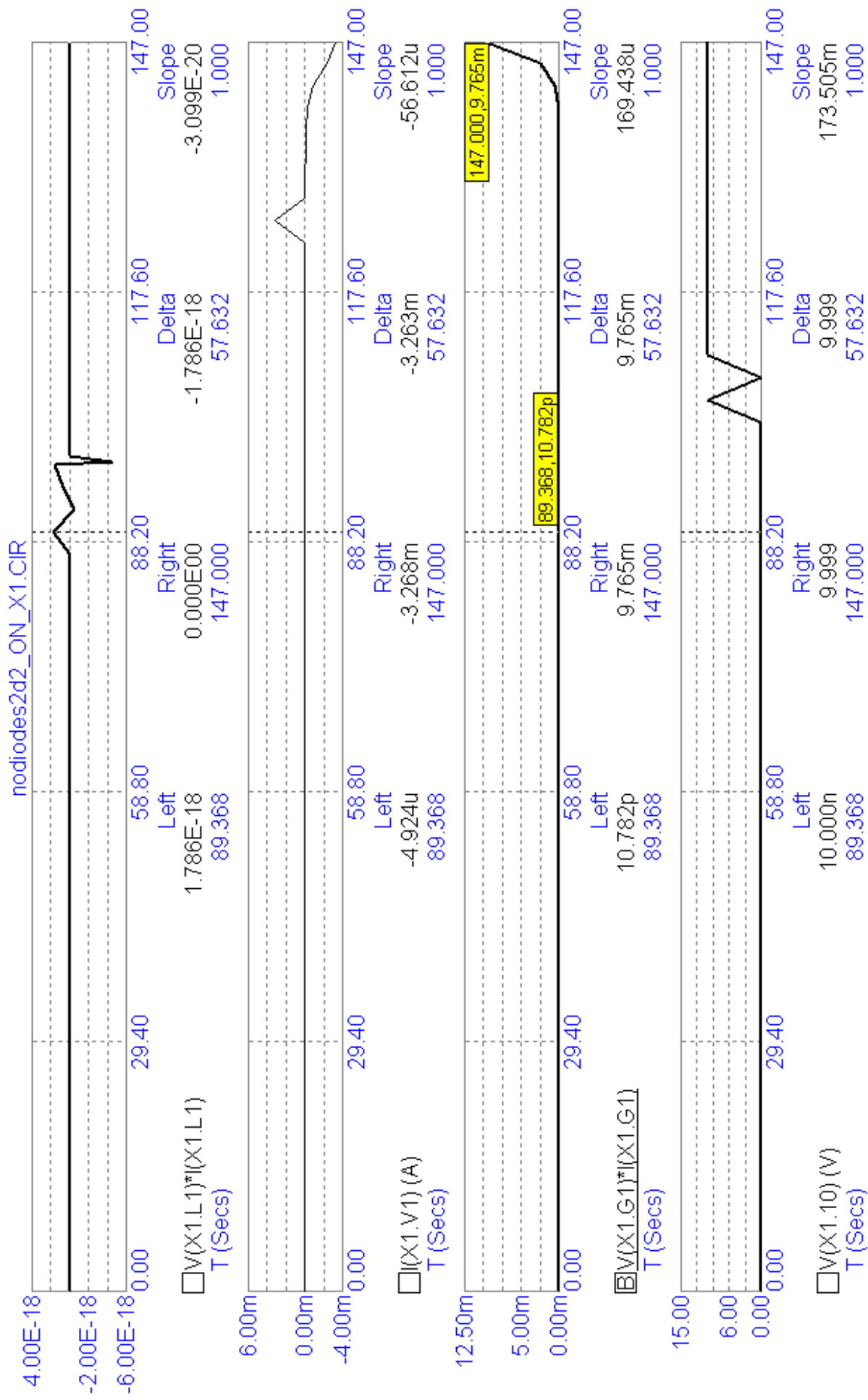




nodiodes2d2\_ON\_X1.CIR



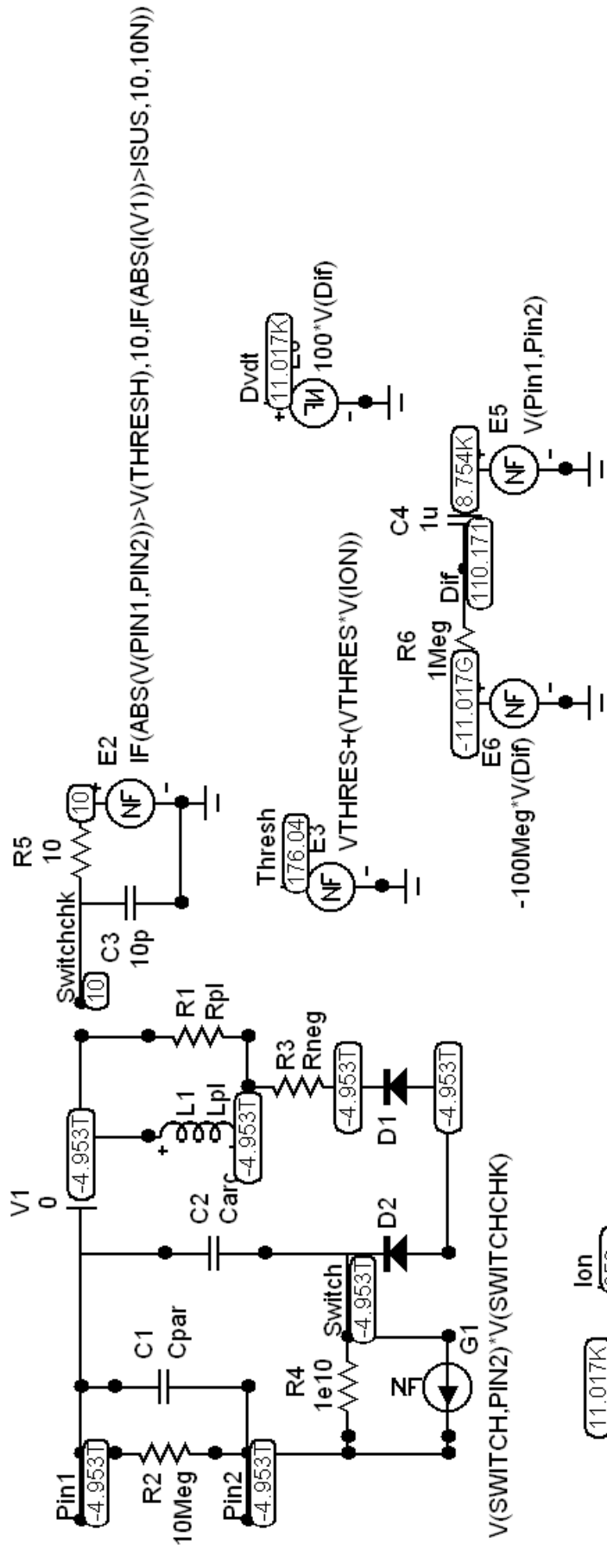




# Nodal Voltages for X2 subcircuit, macro (Micro-Cap).

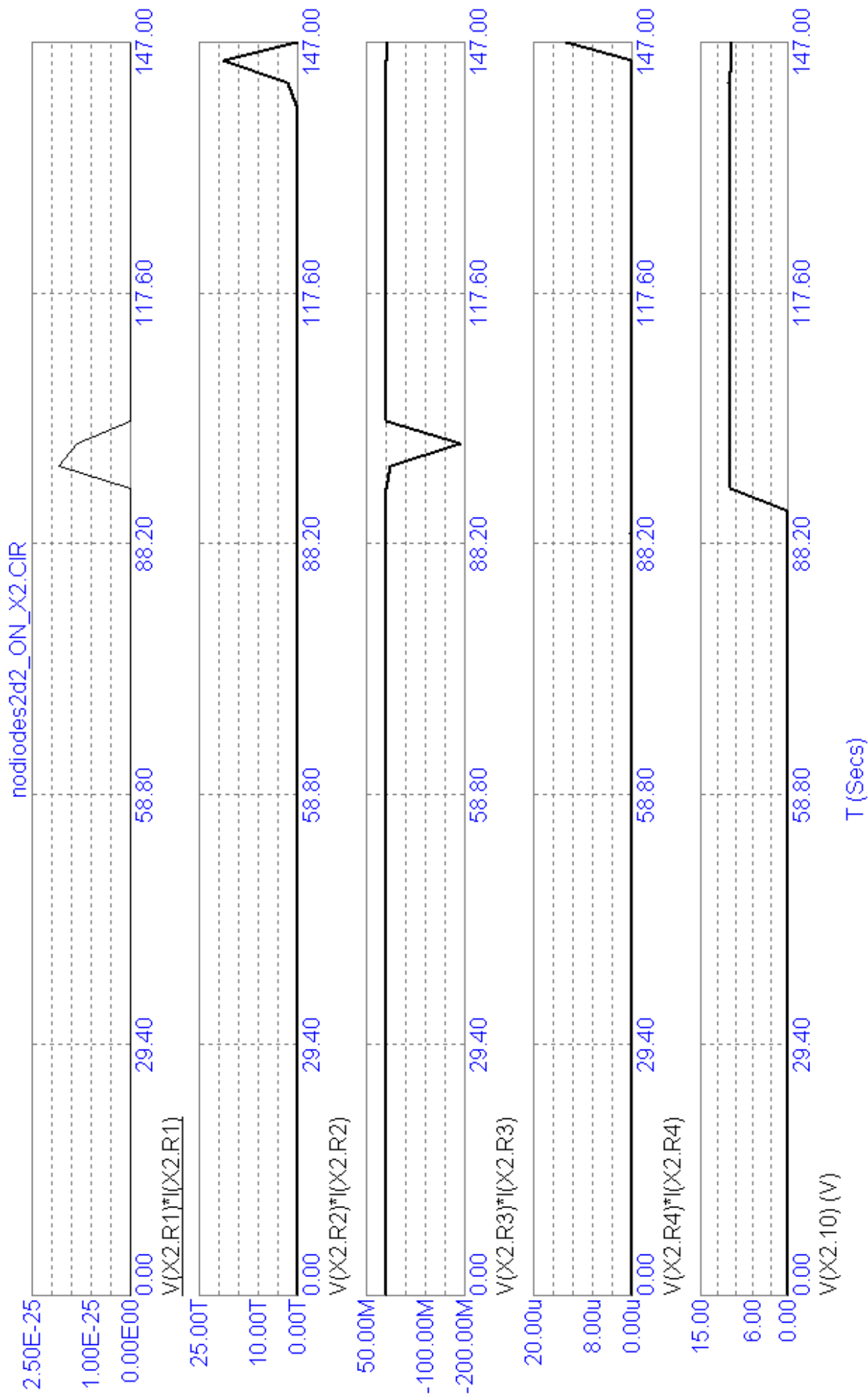
## NEON BULB, SPARK GAP MACRO

.PARAMETERS(VTHRES=90, VARC=10, ISUS=500M,RNEG=-1,LPL=130N,RPL=2K,CPAR=1P,CARC=3P)

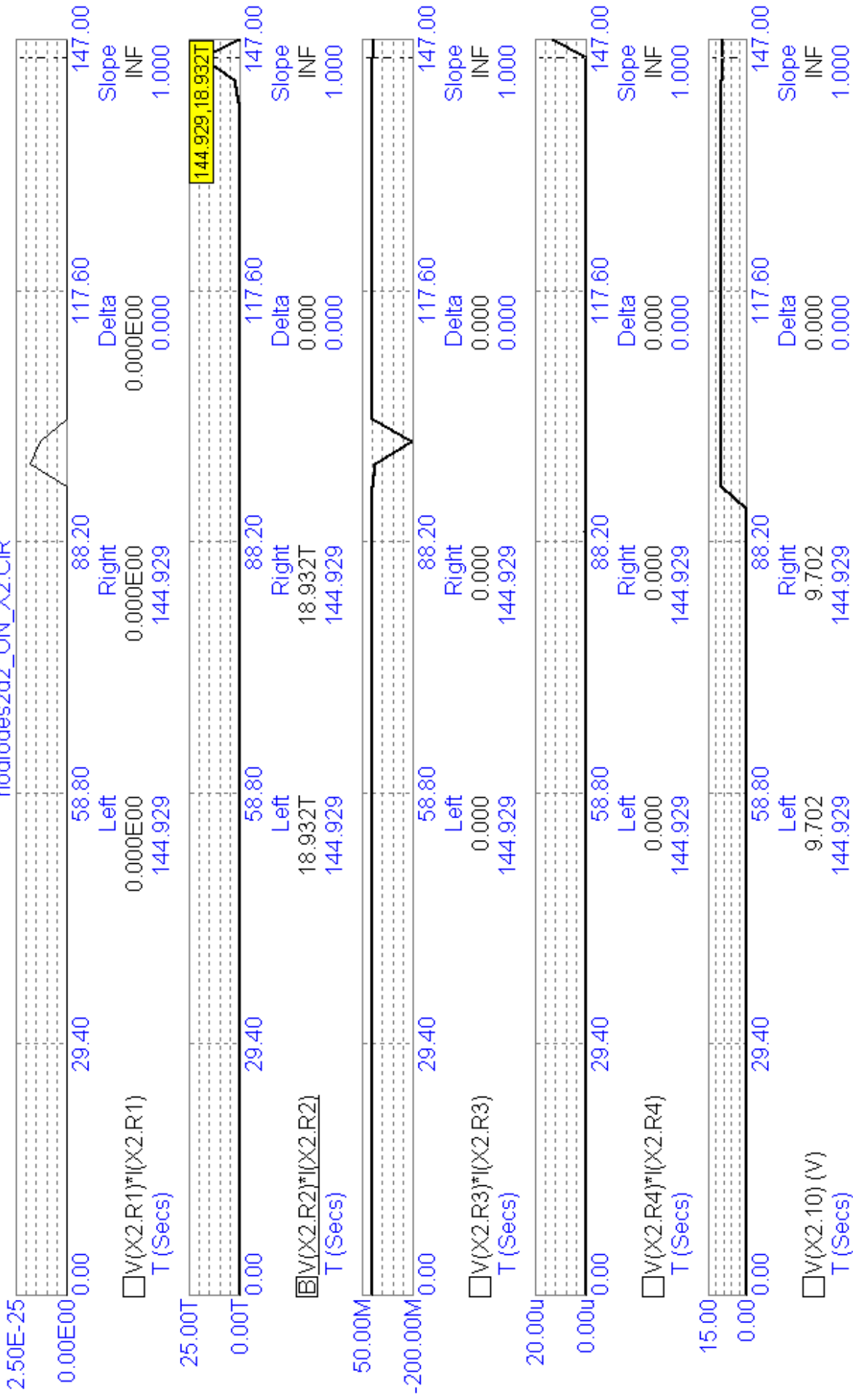


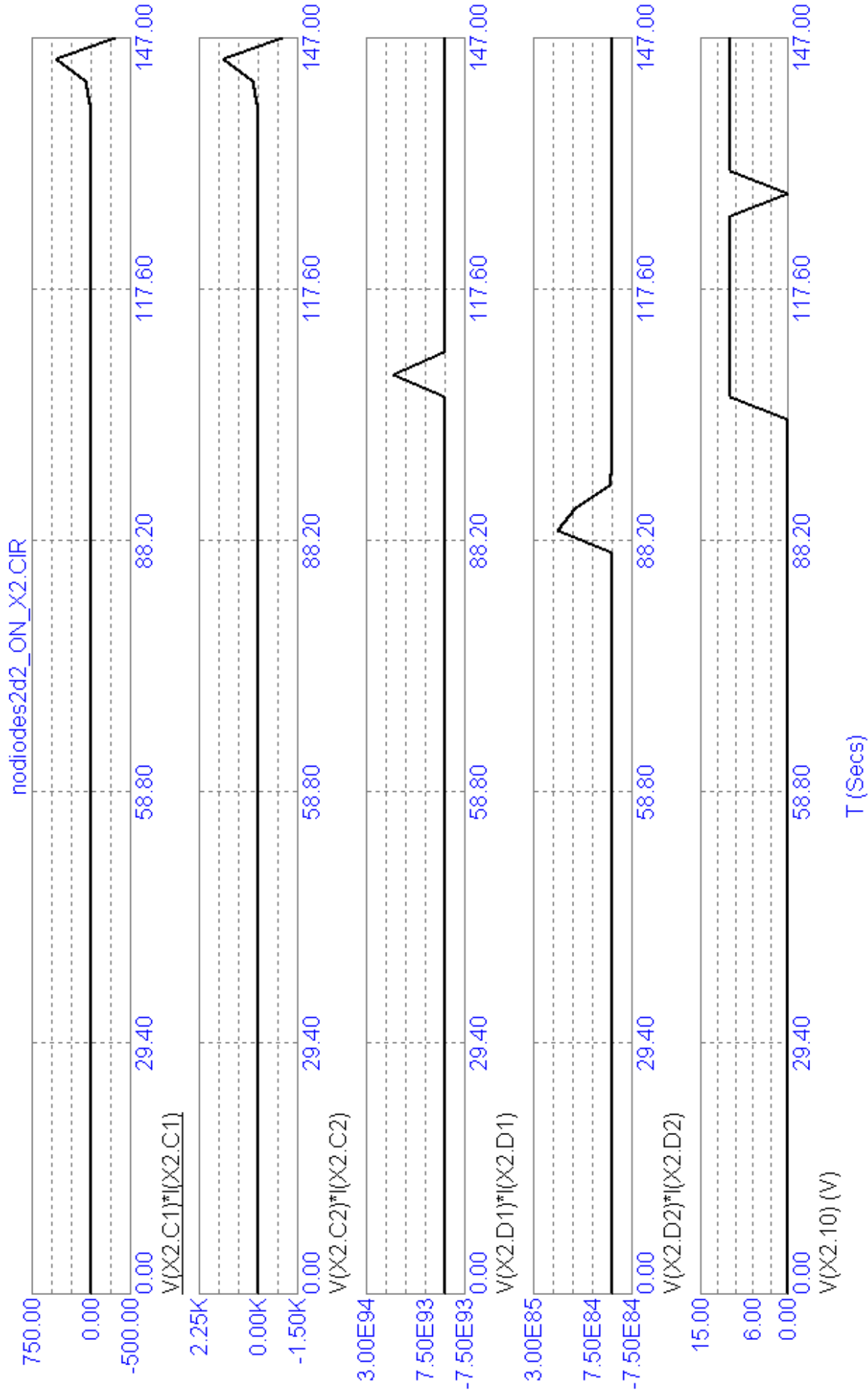
- .HELP VTHRES "Voltage at which the spark-gap strikes"
- .HELP VARC "Voltage across the spark-gap once struck"
- .HELP ISUS "Sustaining current under which the arc is stopped"
- .HELP RNEG "Negative resistance once struck"
- .HELP LPL "Lead/electrode inductance"
- .HELP RPL "Lead/electrode resistance"
- .HELP CPAR "Gap capacitance"
- .HELP CARC "Arc capacitance"





nodiodes2d2\_ON\_X2.CIR

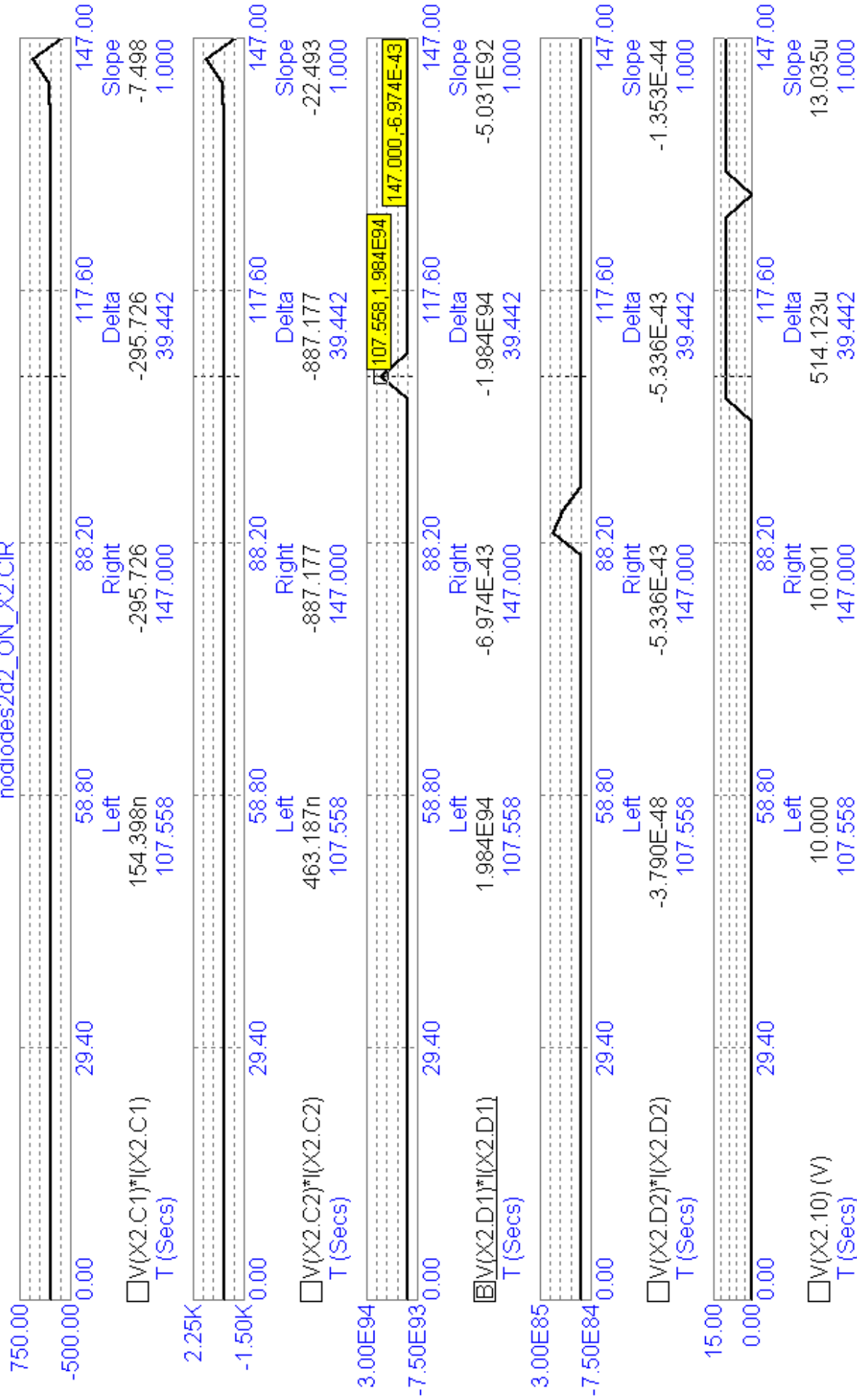




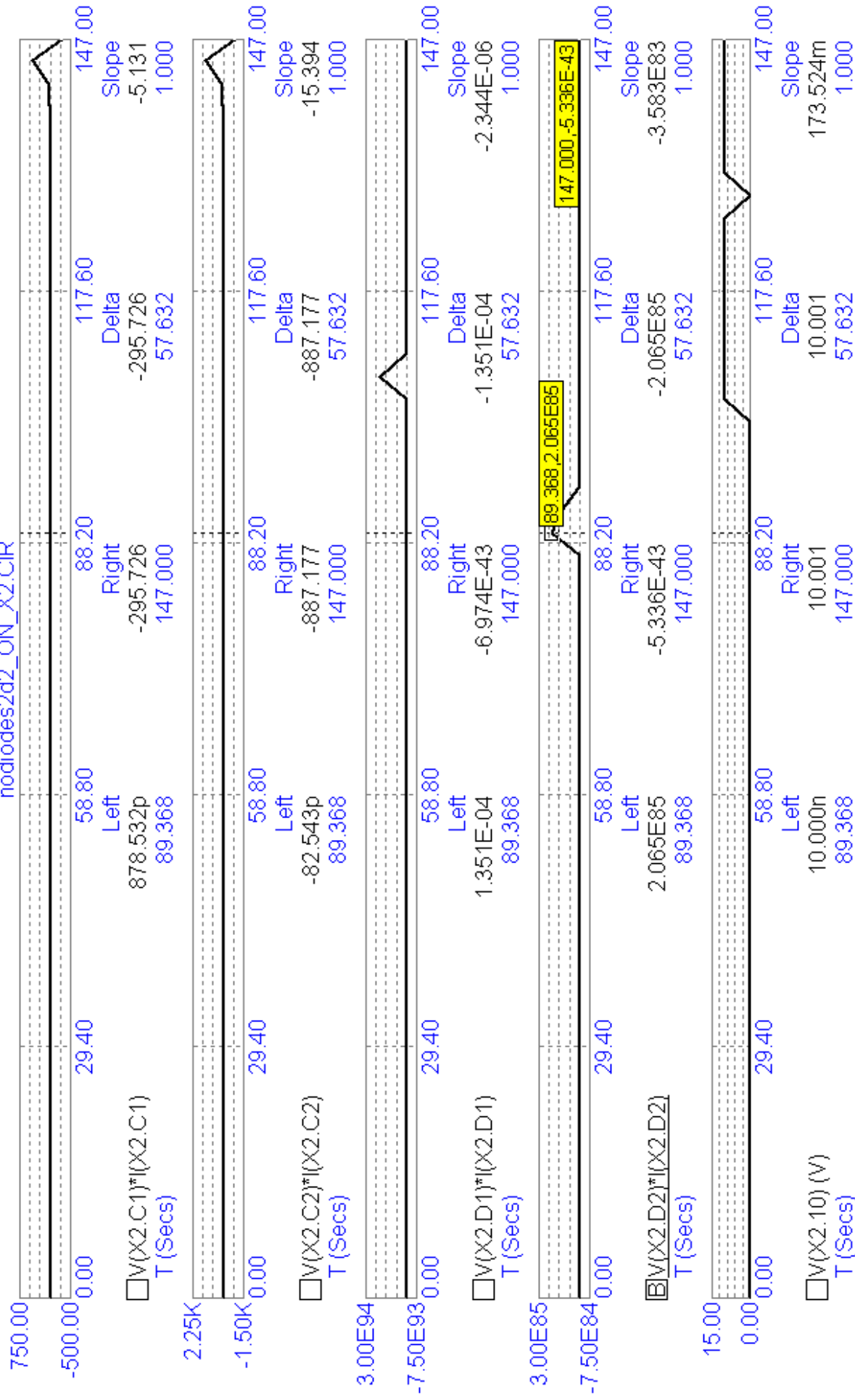
The following figures, FIG. 25 and FIG. 26, demonstrates how power is generated most of the time. Only occasionally does it react in the opposite (positive) direction to absorb, convert, and get rid of, this excess energy by spiking in the positive polarity once in a while.

So, causality has not been broken if we examine all of the components of a circuit over the entire duration of its run-time!

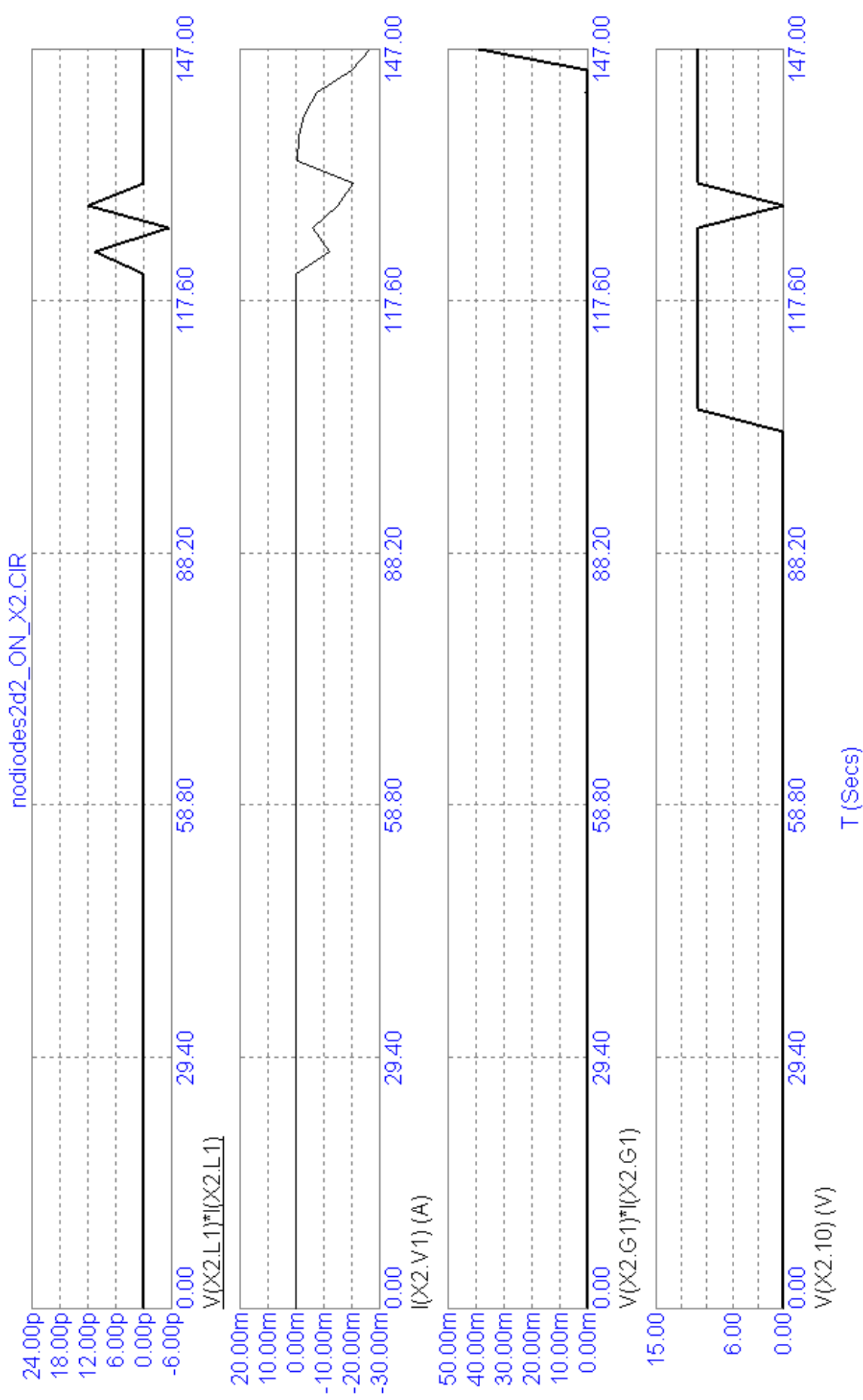
nodiodes2d2\_ON\_X2.CIR



nodiodes2d2\_ON\_X2.CIR







nodiodes2d2\_ON\_X2.CIR

