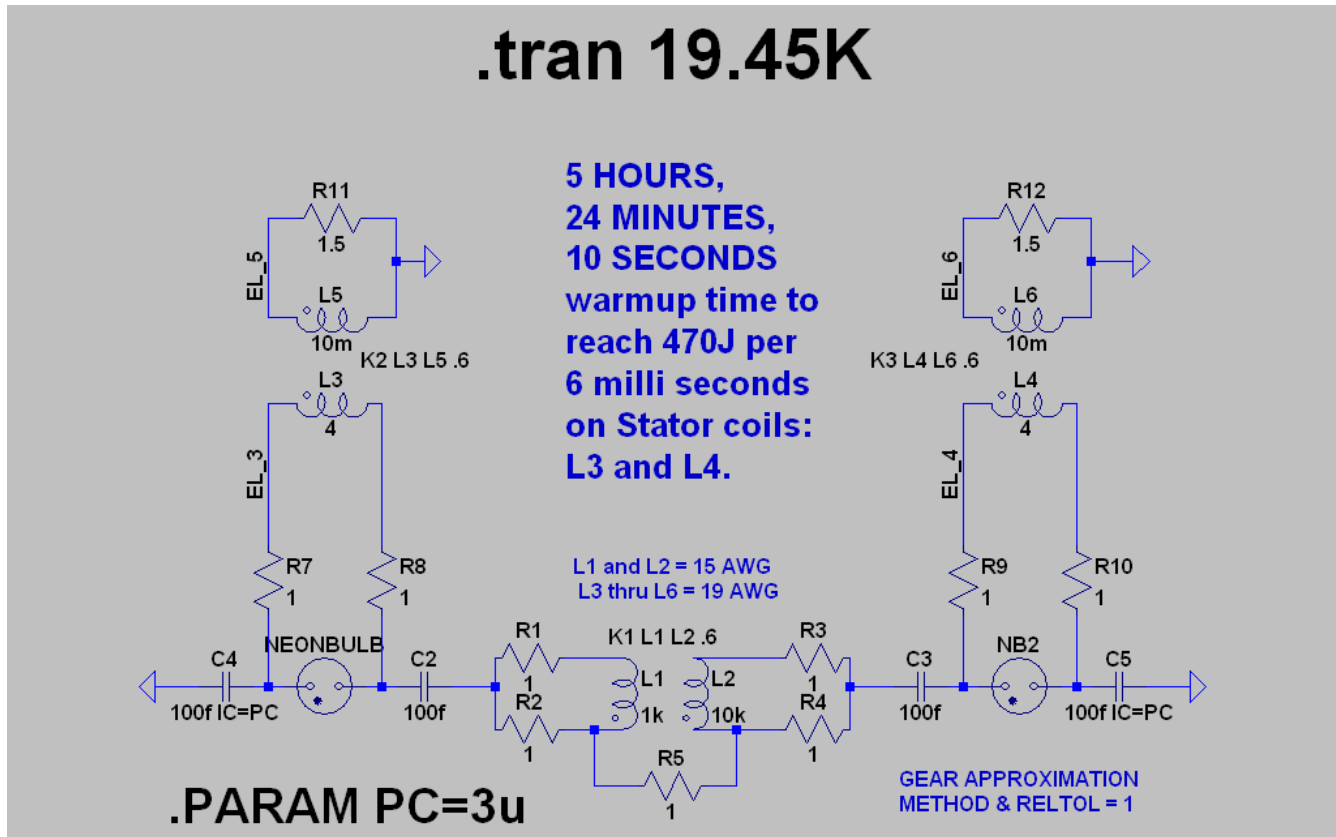


What would I build?...

LTSPICE is more exacting, ie. challenging, than Micro-Cap electronic simulator. If I had to design and tweak an [overunity circuit](#) intended to be built, I would design it in LTSPICE...and hope for the best...

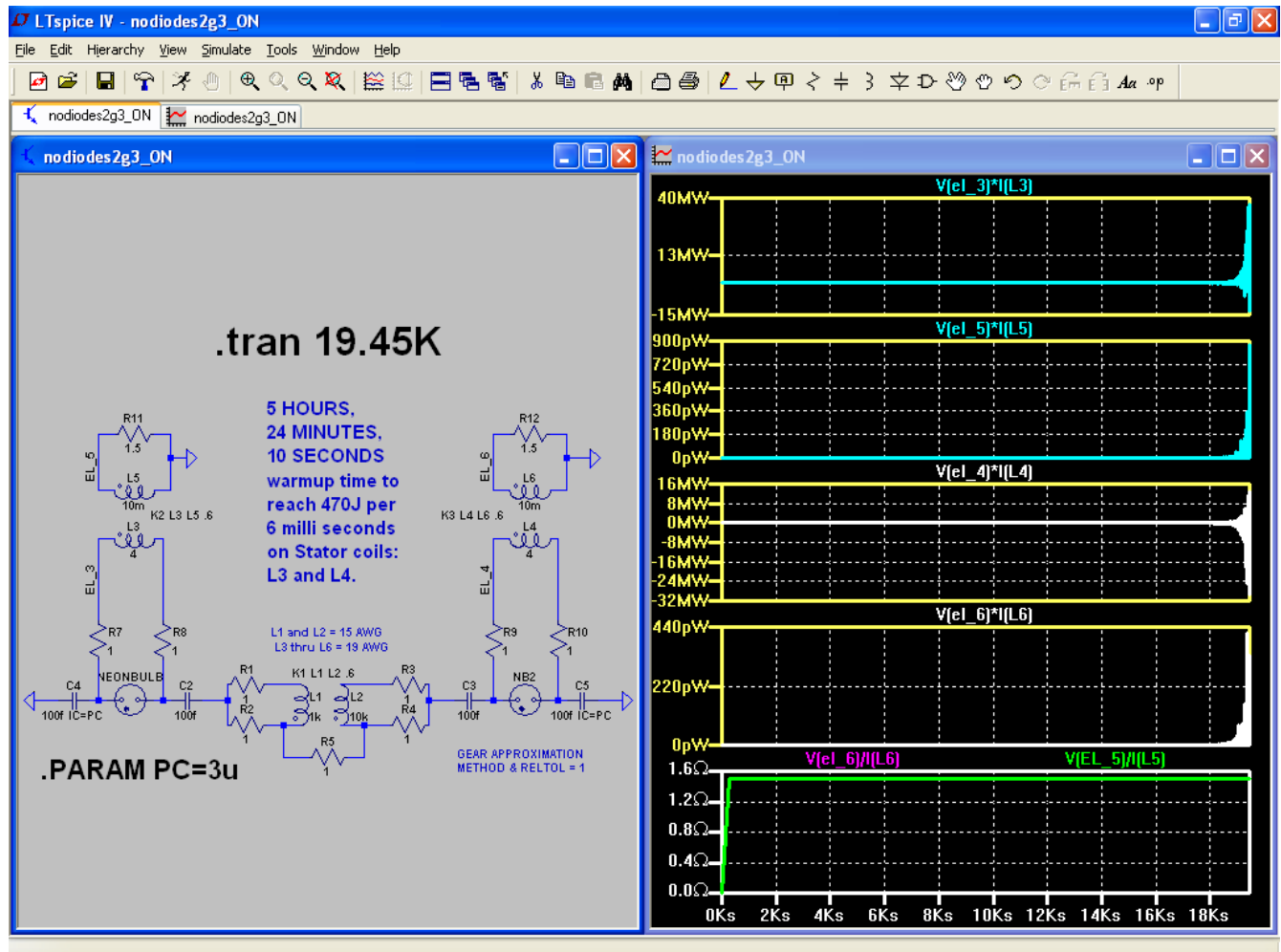


The series resistance for inductors, L1 and L2, is one-tenth units of Ohms versus the units of Henrys for their inductance. So, inductor, L1, possesses 100 Ohms of series resistance while inductor, L2, possesses 1k Ohms. The series resistance for inductors, L3 through L6, are one-fourth the Ohms by comparison to the Henrys of their inductance. So, inductor, L3 and L4, each possess 1 Ohm of resistance while inductors, L5 and L6, each possess two and one-half milli Ohms of resistance.

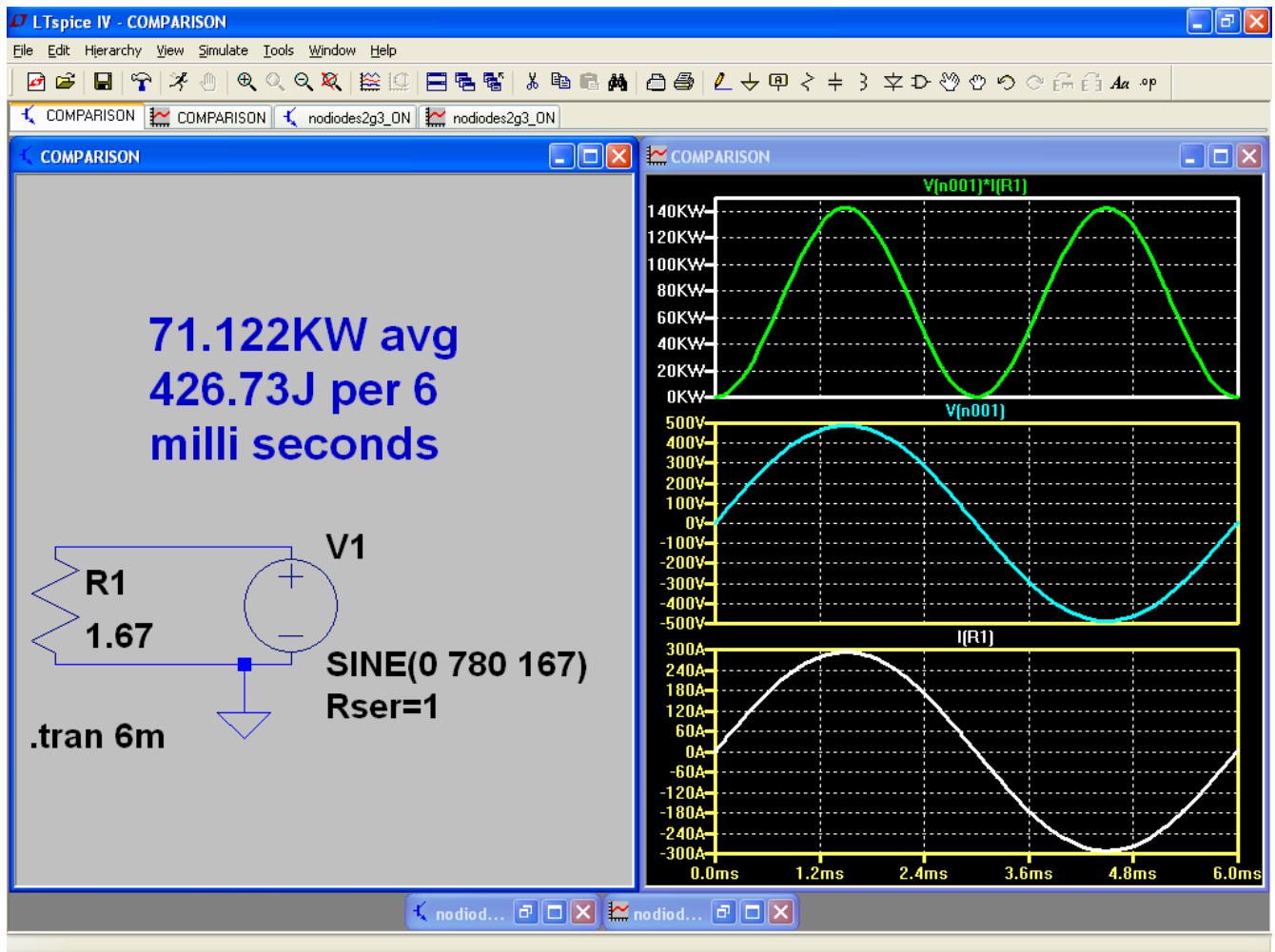
The rotor coils are represented by inductors, L5 and L6. The stator coils are represented by inductors, L3 and L4.

Whereas, the inductance for the stator coils is accurate for the RAV4EV from 2002, I'm taking a

wild guess for the inductance of its rotor coils.



For comparison, I simulated an A/C source rated at 780V and 167Hz to model the rotation rate of an electric motor at full throttle speed and a voltage input to accommodate the correct amps and volts equivalent to a RAV4EV from 2002, namely: 206A and 345V. Then I matched the Joules per 6 milli seconds of the circuit, above, with the comparison circuit below...



The average kilo watts for the comparison circuit came out to be right on target for the 2002 RAV4EV at 71kW. Cool....