A close-up photograph of two hands shaking. The hand on the left is a darker-skinned hand, and the hand on the right is a lighter-skinned hand. They are shaking in a firm grip, symbolizing agreement or partnership. The background is plain white.

**Extending the
Range of Electric
Vehicles by
Maximizing
their Amp-
Hours.**

Vinyasi

**Electrical transients are
a renewable source of
pollution-free energy.**

Extending the Range of Electric Vehicles by Maximizing their Amp-Hours.

Electrical transients are a renewable source of pollution-free energy.

Copyright © 2019 to Eternity by Vinyasi.

Updated – 27th July 2019.

All rights reserved.

<https://www.amazon.com/author/vinyasi>

Table of Contents

Part One

- [Introduction](#)
 - [About Me](#)
 - [My device is an offshoot of the Joseph Newman device.](#)
 - [Heaviside Correction to the Ferranti Effect](#)
 - [Proof-of-Concept Solution](#)
 - [Epilogue to these Solutions.](#)
 - [Developing a surge, also known as an electrical overload.](#)
 - [Regulate electrical overloads by oscillating them.](#)
 - [Compensating a torque load.](#)
 - [Don't kill the battery's dipole. Form a new one!](#)
 - [Don't let this happen to you.](#)
 - [The vulnerability of our utility grid to failure is very real.](#)
 - [The situation is worsened by the outright sabotage of the grid.](#)
 - [Glossary of Useful Terms.](#)
 - [Dwight D. Eisenhower's Farewell Address](#)
 - [Transcript of Eisenhower's Farewell Address - 1961](#)
 - [What material should the armature of the motor be made of?](#)
 - [Screenshots of schematics designed for an electric vehicle.](#)
 - [Adding a battery to reduce the voltage on the DC capacitor.](#)
 - [Download the Simulation Files](#)
 - [Spanish Translations of This Book](#)
 - [References not already cited in this presentation.](#)
-

Part Two

- [Preface to Part Two of this eBook.](#)
- [Tesla's Special Generator and Pierce-Arrow Demonstration of 1931](#)
- [Where does Free Energy Come From?](#)
- [Where does Electricity Return to When it is Decomposed?](#)
- [Christ/Avatar Circuitry](#)
- [If we can see visible light why can't it be seen in space?](#)
- [Preventing Saturation – among either Capacitors or Inductors – Prevents a Run-Away Condition \(resulting from Transient Surges\)](#)
- [Your electric vehicle conversion need not look like either of these ...](#)
- [Instead, it should look like this ...](#)
- [Simulated Oscilloscope Tracings with Schematic](#)
- [Circuit Simulation Hints](#)
- [Two of my previous circuits for comparison](#)
- [The following are how-to-build hints ...](#)
- [Solving Drive-Shaft Rotation Challenges](#)
- [A Simple Demonstration of an Overunity Configuration NOT INTENDED for an EV!](#)

- [Beyond Newman](#)
- [Cracking Tesla](#)
- [Beyond Falstad](#)
- [Radiant Energy](#)
- [Fictional Aether? Or, Fictional Self? Which is Real?](#)

Introduction

A strong presence of voltage is not needed to compensate for the thermodynamics of powering a motor. Instead, resonance is needed among all the components of an overunity circuit to ensure there are no conflicts.

<http://is.gd/oufree>

Wouldn't it be nice to have all the energy we need? And not have to pay for any of it on a regular basis such as we do now? Just an upfront cost whenever we purchase an appliance. The production of energy necessary to run our appliances can be built into each one ensuring their independence of a vulnerable utility grid!

Credit goes to: Maharishi Mahesh Yogi and the Transcendental Meditation technique, Eric Dollard, Jim Murray, William Lyne, Thomas Bearden, Mark McKay, Dave Turion, Byron Brubaker, Samantha Feinberg, Joseph Newman, Thomas Commerford Martin, Nikola Tesla and Charles Proteus Steinmetz. The Ammann brothers of Denver, Colorado, also deserve credit for the earliest known conversion of a battery free, electric car in 1921.

SUBSTANTIAL CUT IN PIERCE-ARROW PRICE ANNOUNCED

A substantial reduction in the prices of its touring car models effective after September 1, and a reduction on the prices of its truck models, effective immediately, has been announced by George W. Mixer, president of the Pierce-Arrow Motor Car company.

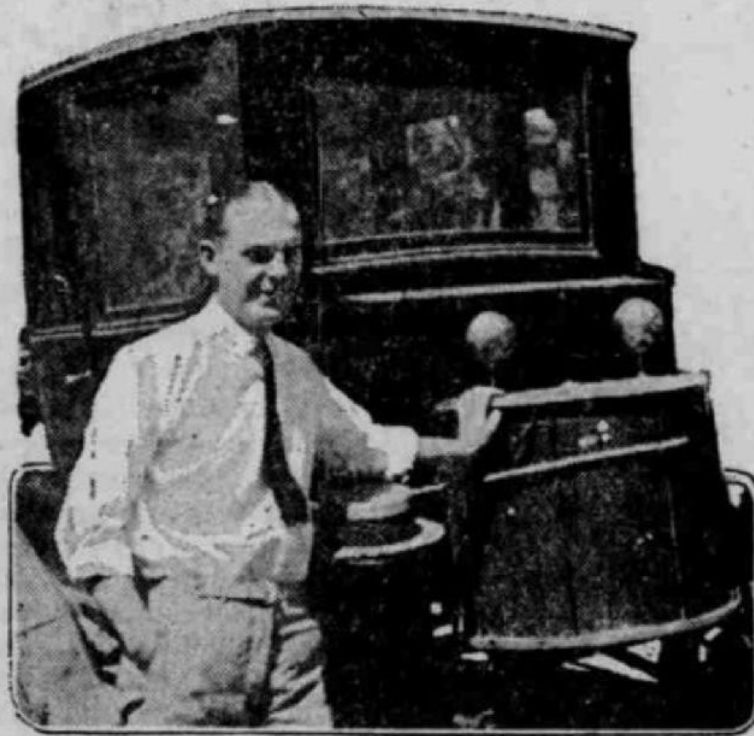
The new price of the standard seven-passenger touring car is \$6,500 at the factory, the inclosed car prices being graded proportionately.

The new prices of its truck models are: \$4,850 for the five-ton size; \$4,350 for the 3½-ton and \$3,200 for the 2-ton.



This Tire

ELECTRICITY "TAKEN FROM AIR" DRIVES AUTOMOBILE



C. E. AMMANN AND HIS "ATMOSPHERIC GENERATOR" ATTACHED TO AN ELECTRIC AUTOMOBILE

DENVER, Colo., Aug. 28.—Demonstrations are being made on the streets of Denver of a new electric generator that is claimed by the inventors to take electricity from the air.

The inventors are J. E. Ammann of Denver, and his brother, C. E. Ammann of Spokane, Wash.

To demonstrate, the brothers borrowed an old electric auto, took out the batteries, and after roping their new "atmospheric generator" fast, they got in and rode off at high speed.

"There is nothing inside the drum that moves; the contents consists only of iron, wire and minerals," says C. E. Ammann.

"It can be used to drive any electrical apparatus and can be made in any size."

The brothers are closely guarding their secret, and even take their "brain-child" when it is not in use, to their room in the Argonaut hotel.

So far the brothers have not offered to sell their proposition.

Electrical men in Denver are waiting "to be shown," but they grant the thing works.

AUTO INSURANCE

balance bodies was the highlight of

"New C

Buy a brand new s \$1,625.00 f. o. b. P automobile. The fa them to some other cost of re-shipment make special terms cars. There are onl

NEW 1

The same m rather than re;sh excellent satisfact saving on a high- pay you to buy an

- \$2,500.00 truck cha
- \$2,700.00 truck cha
- curtains
- \$3,000.00 truck cha
- open express bod

All of the al This offer w few days only. If given to ship them

"TWO REAL

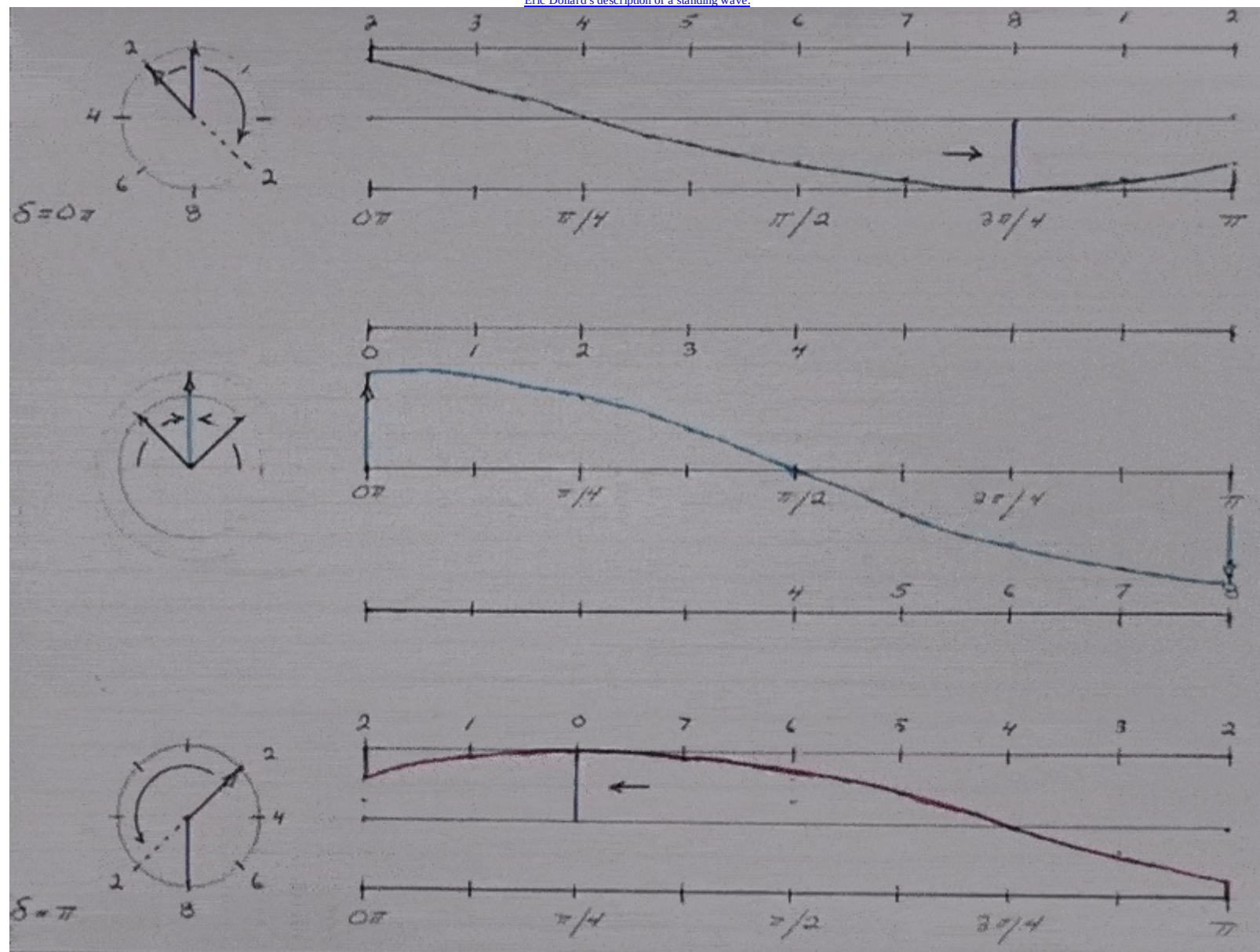
Dodge Coupe car for private use 1921 Nash 7 extra equipment. covers and will m Special terms on e Then we ha Dodge Com Ford Coupe Hudson Sup 1921 Essex

About Me

My duties – as an independent researcher of electrodynamics – has been to discover the likelihood that one set of laws of physics (applied to electrical engineering) encompasses an oversight: the laws of thermodynamics do not address everything. Yet, the law of the conservation of energy does. This fact precludes any other which might attempt to defend the defiance of free energy since Mother Nature makes no distinction between the two: both energy and free energy are one and the same as far as She is concerned.

All of this is based on assessing how incomplete is the electrical engineer's viewpoint of power factors regarding alternating current – one fourth of which has been avoided, namely: the power factor of negative one. This power factor is a mathematical fiction spawned of the multiplication of two complex numbers, namely: the zero power factors of both a capacitor and an inductor occurring simultaneously. This mathematical fiction is a simplification of these two, aforementioned zero power factors (of opposite polarity) uniting to create a standing wave condition resulting from the combination of their parent waves' opposing directions of movement.

[Eric Dollard's description of a standing wave.](#)



Another mathematical fiction is when the difference between two frequencies creates a third frequency

– a [beat frequency](#), a mathematical fiction whose parent frequencies are very real; also known as a composite frequency of multiple, component frequencies.

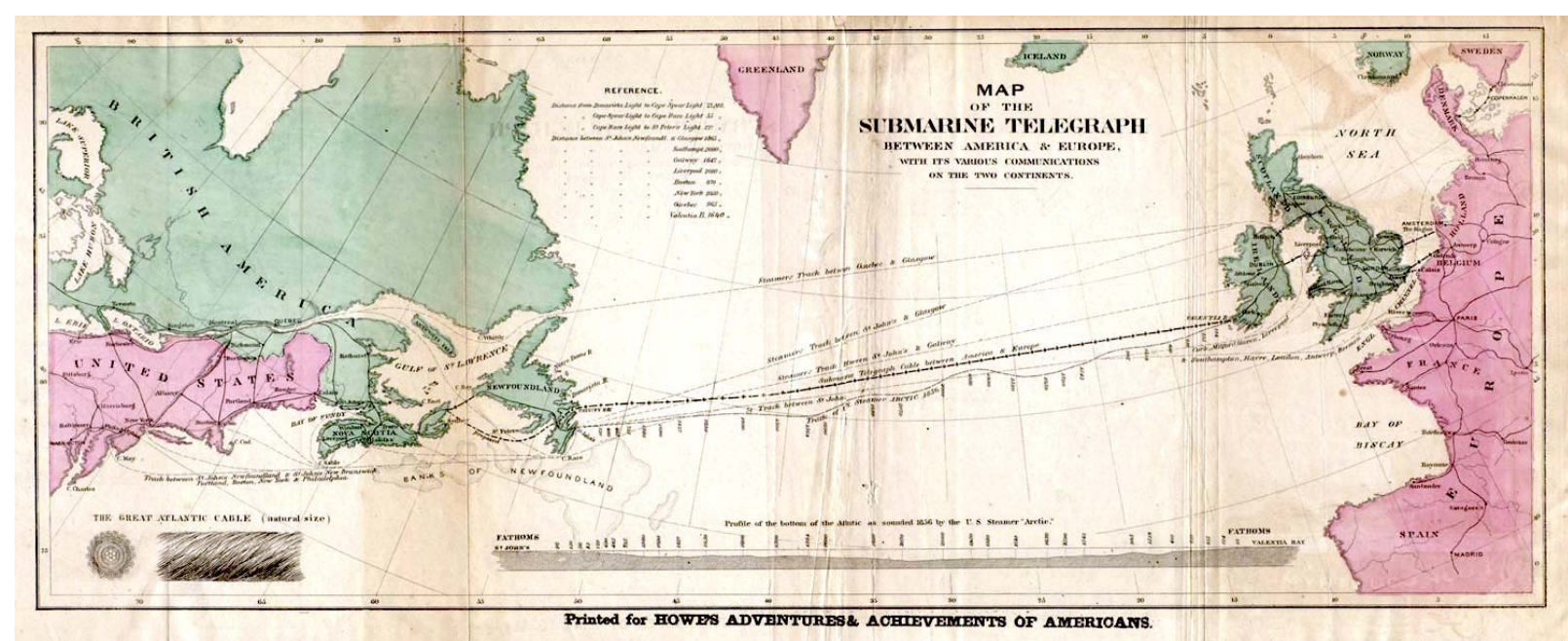
This [beat frequency](#) is capable of doing what neither of its two parent frequencies are capable of, namely: shatter a wine glass. Not due to the beat frequency having resonance with the resonant frequency of the wine glass, but due to the rapidly, alternating expansions and compressions of the material substance of the wine glass alternately being pulled apart and pushed together by the expanding and contracting mathematical differences occurring between the parent frequencies' pair of waves.

Just because a power factor is a fiction doesn't make it not-real. Just because it is not-real – as an electrical entity – does not mean it is also not-real as a mathematical fiction.

Another good example is karma, aka reaction, following upon an action.

Actions are real. Yet, their reactions are not. Yet, the latter can hurt its author just as easily as the former had hurt its victim.

Oliver Heaviside used mere mathematics (known as: the [telegrapher's equation](#)) to solve the trans-Atlantic telegraph cable problem and was scorned by the Royal Society of London for his success since his solution did not support their religious belief that mere brute force – of increasing the voltage at the sender's end – could solve the problem of the fading signal spanning the length of the telegraph transmission line without recourse to oceanic, booster stations along the way. *{Not until 1956 were booster stations, known as [repeaters](#), made possible for an oceanic transmission line.}*



Since negative power factored waves of electricity can't move anywhere, they cannot dissipate (according to the assumptions of thermodynamics). All they can do is accumulate more energy from their source – which is not spatial, but is temporal, namely: the temporal difference between the two opposing zero power factored complex values of capacitance and inductance mentioned earlier.

{But notice how this source of energy is not spatial, ie. not from a material source, such as: a battery or something physical. Instead, this source of electrical energy is temporal resulting from the difference between the multiplication of two opposing complex numeric values. This makes this source of renewable electrical energy born of a mathematical fiction not of this world of hard facts and even harder egos to bust wide open!}

This accumulation of energy is the reason why transient surges can result in electrical overloads

capable of exploding transformers and frying circuit boards. These surges have been suppressed, for good reason, for more than a century. I study how to foster them, manage them, and harness them to power all of our appliances – but especially: our electric cars.

I have succeeded within the virtual boundaries of the simulator environment and have self-published my results on [Amazon](#) and [elsewhere](#).

I also have computer skills in managing websites, web servers and mail servers, anti-spam protection, and limited computer programming.

I have not left my present self-employment. Rather, I continue to pursue it as a never-ending hobby playing second fiddle to my primary goal which is to wait patiently for some other opportunity to come knocking at my proverbial door of consciousness to pay for this inexpensive hobby of mine.

My device is an offshoot of the Joseph Newman device.

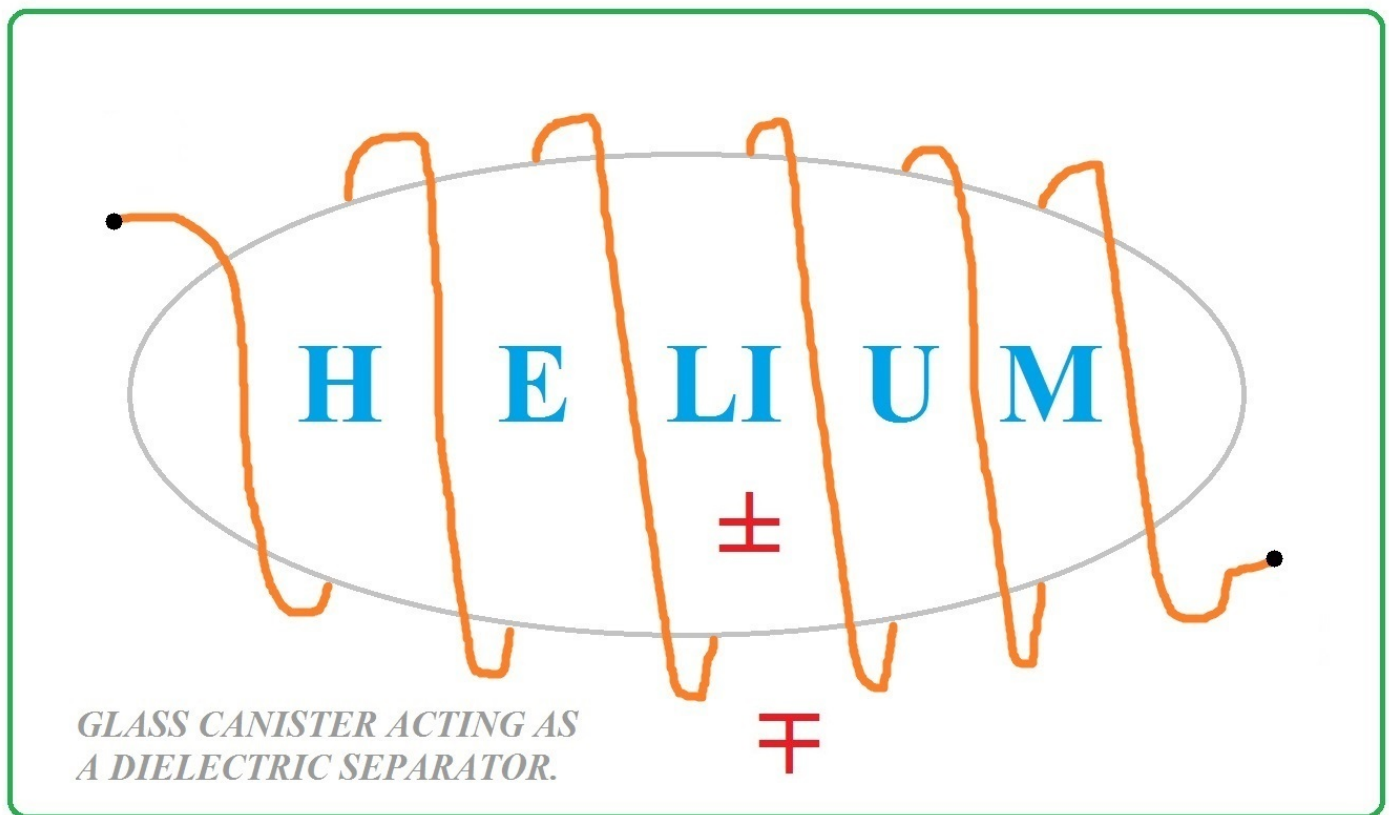
[Chapter 11 – Miscellaneous Interesting Designs and Theories](#) – from Patrick Kelley’s informative website.

Here are the main points to distinguish my device from [Joseph Newman’s](#) as well as draw some important similarities ...

The Legacy of Newman’s Motor

1. The high resistance of Newman’s massive coil reduces his batteries’ amp-hour losses. This would have occurred due to their current drainage. Instead, the coil’s voltage is boosted.
2. High inductance is another significant property of Newman’s massive coil.
3. His [proprietary use](#) of an insulative, glass containment of helium – wrapped with an open coil, converts these two salient features (of points [#1](#) & [#2](#)) into an overunity condition.

Induced EM Field of Helium?



4. The result is a mild milli ampere of reverse current sent back to his tiny batteries to recharge them by taking advantage of helium’s well-documented property of responding to its reception of a low-frequency, electrostatic field through its open coil.
5. This electrostatic reception is transmitted from Newman’s massive coil dominated by voltage (with very little current).
6. The helium responds by radiating a moderate to high frequency of electromagnetic vibration/s.

7. These EM waves are returned to Newman's massive coil to contribute a moderate to high frequency of a very mild current blended with the low frequency of voltage-dominant square waves produced by his commutator.
8. This input of a mild current (from the helium) is just enough to reverse the trickle of current coming from his batteries and recharge them.

Distinct Differences with My Device

9. My device replaces his helium with a moderate, frequency sine wave generator of low voltage.
10. This input voltage must not approach 9V to 12V remaining, instead, in the vicinity of 3V, or far less at around a dozen or less micro volts depending upon the size of its main (voltage-oriented) coil.
11. The smaller its main coil, the more severely must the input voltage be reduced.
12. His batteries are removed as is his commutator.
13. A full bridge rectifier is located near the main coil which feeds a capacitor.
14. This capacitor amounts to being a dead-end load with no where else for the current to go.
15. This current cannot make a return trip due to this capacitor is blocking the flow of D/C current exiting the full, bridge rectifier.
16. Consequently, this accumulates voltage – in a manner similar to the massive size of Newman's coil.
17. Hence, this helps reduce the size of the main coil while retaining its reduced largess as a salient feature.
18. Desired output is predicated upon the size of the main coil. More power output will result from enlarging this coil.
19. Increasing the input frequency will accelerate the time needed for the main coil to become energized, aka. warm up to its full operation. But this will not increase the output. Point [#18](#) takes care of that.
20. Increasing the input voltage beyond its safe limit (point [#10](#)) will kill the overunity output of this device.

Conclusions ...

21. The source of my device's overunity will probably best be explained by greater minds than I.
22. Suffice to say the size of the main coil plays a major role.
23. This is the reason why the modifications of my device do not impair its similarity to the device of Joseph Newman.
24. For I have retained one other feature of Newman's device: the input of a [moderate frequency vibration](#) far surpassing the limitations of the slow rotation of his rotor.
25. Our collective ignorance of this last point, [#24](#), is a severe handicap to understanding his design.

Although ...

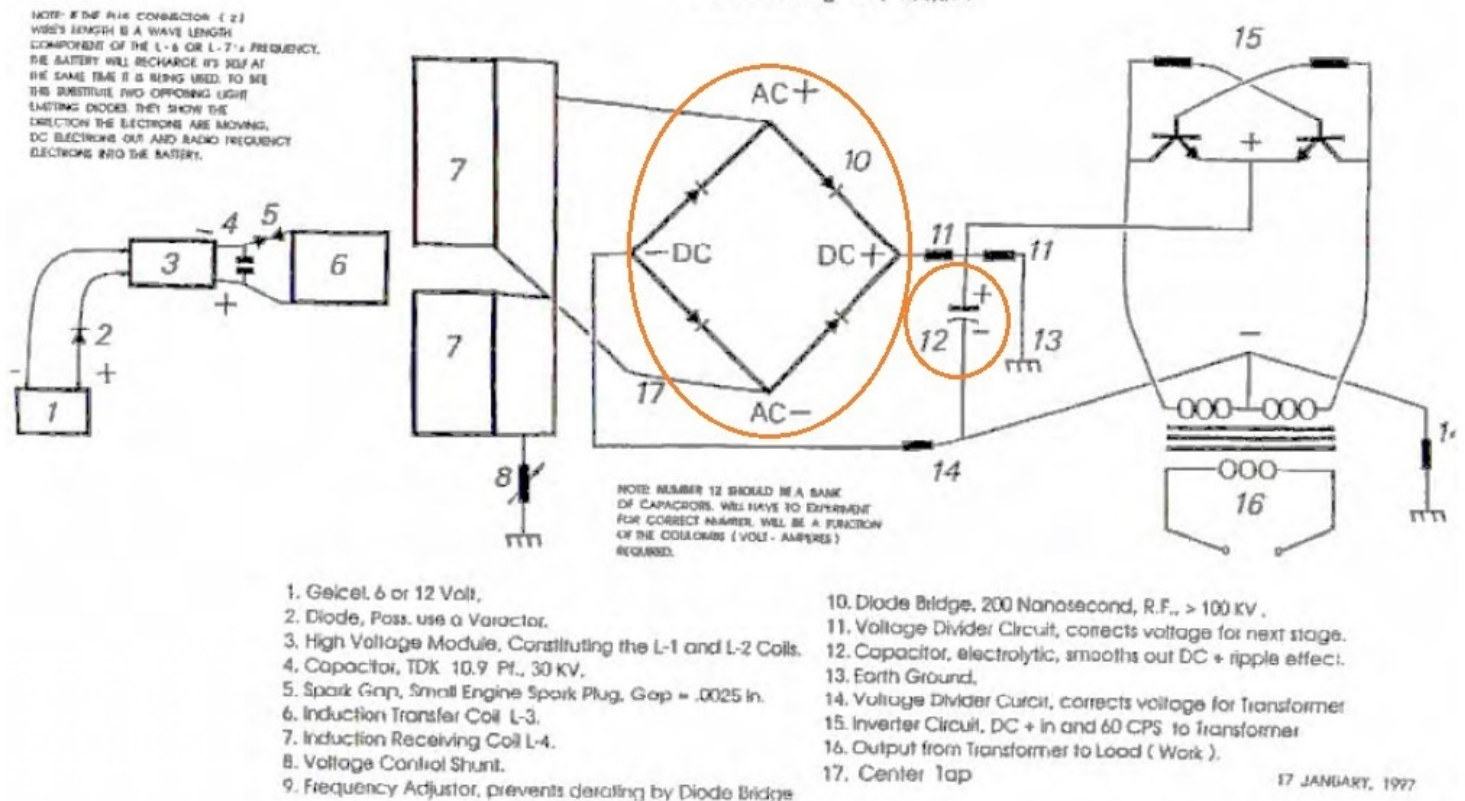
26. It is Oliver Heaviside who provides the greatest similarity to both my device and Newman's.
27. It was *he* who came up with the solution to the [trans-Atlantic telegraph cable problem](#).
28. He boosted its magnetism by wrapping its insulated copper core with iron ribbon or iron wire.
29. The cable was already boosting its own voltage by its sheer length.

The similarities are ...

30. Newman boosts both voltage and magnetism by enlarging his coil. This increases its resistance as well as its inductance.
31. I boost the voltage of my device by adding a capacitor blocking the rectified flow of its D/C current.
32. I boost the current of my device by adding a small set of low resistance coils sharing a high mutual inductance with the main coil.
33. This effectively creates a step-down transformer which converts some of the voltage of the main coil into current and transfers it to these smaller coils.
34. This current returns back to the main coils, due to an electrical short, adding to the voltage of the main coil.
35. This is positive feedback.

ELECTRICAL ENERGY GENERATING SYSTEM

Patent Pending 08 / 100,074

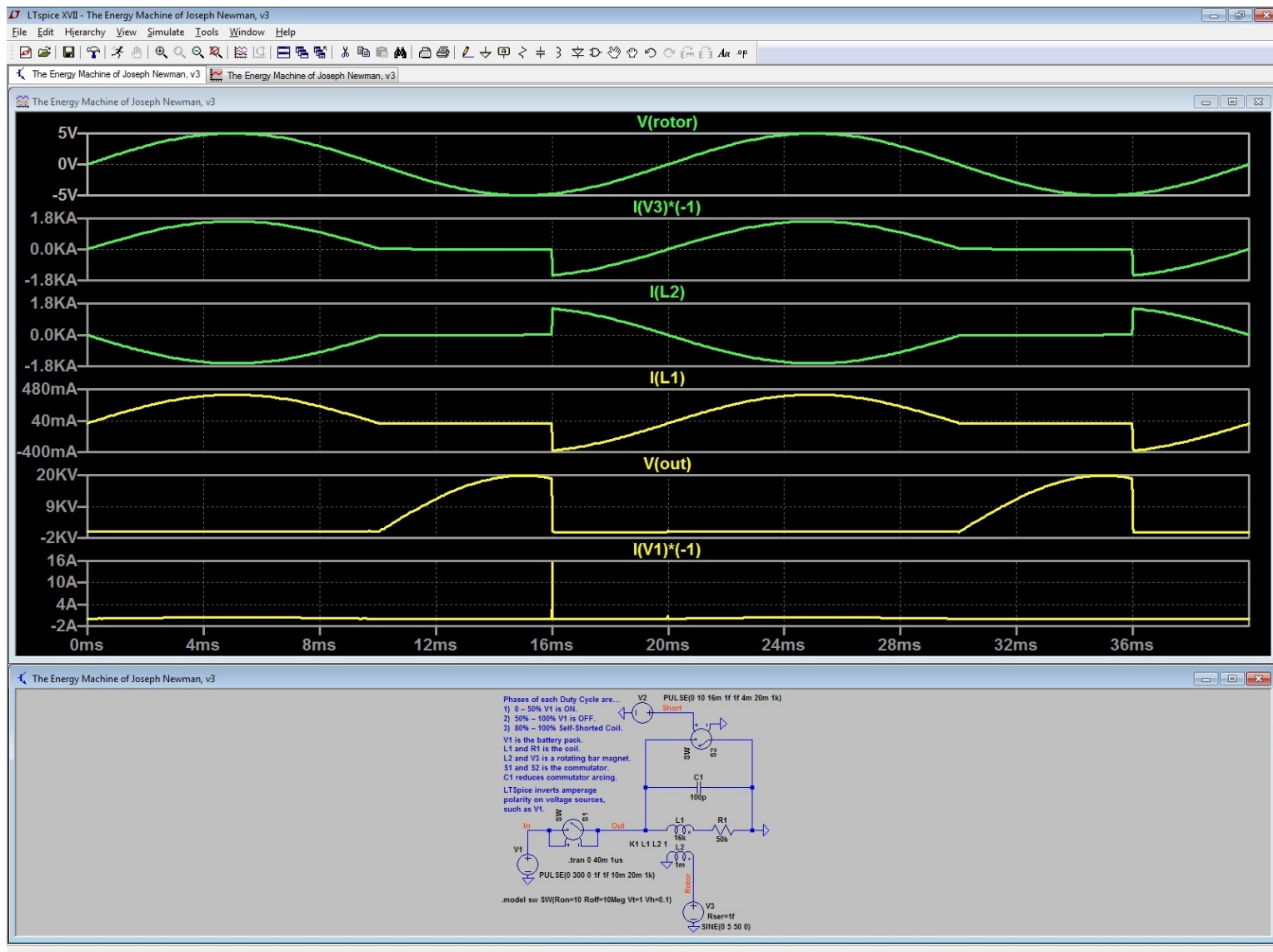


**from "Resonance Energy Methods",
by Donald L. Smith, Sept. 23, 2002**

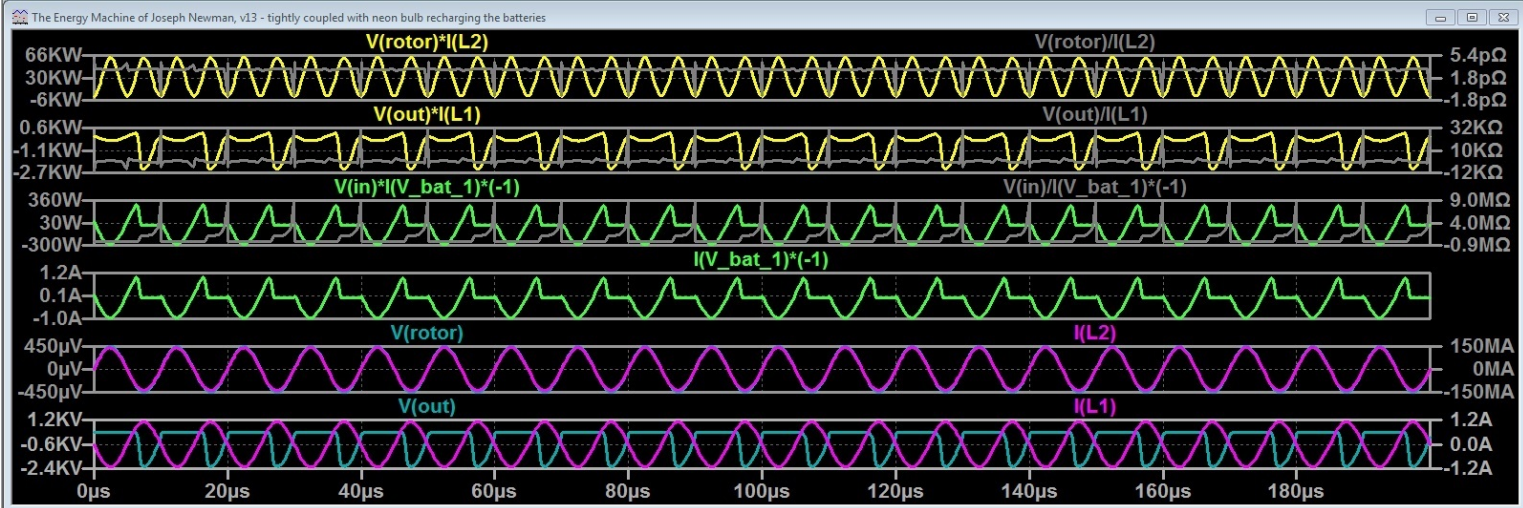
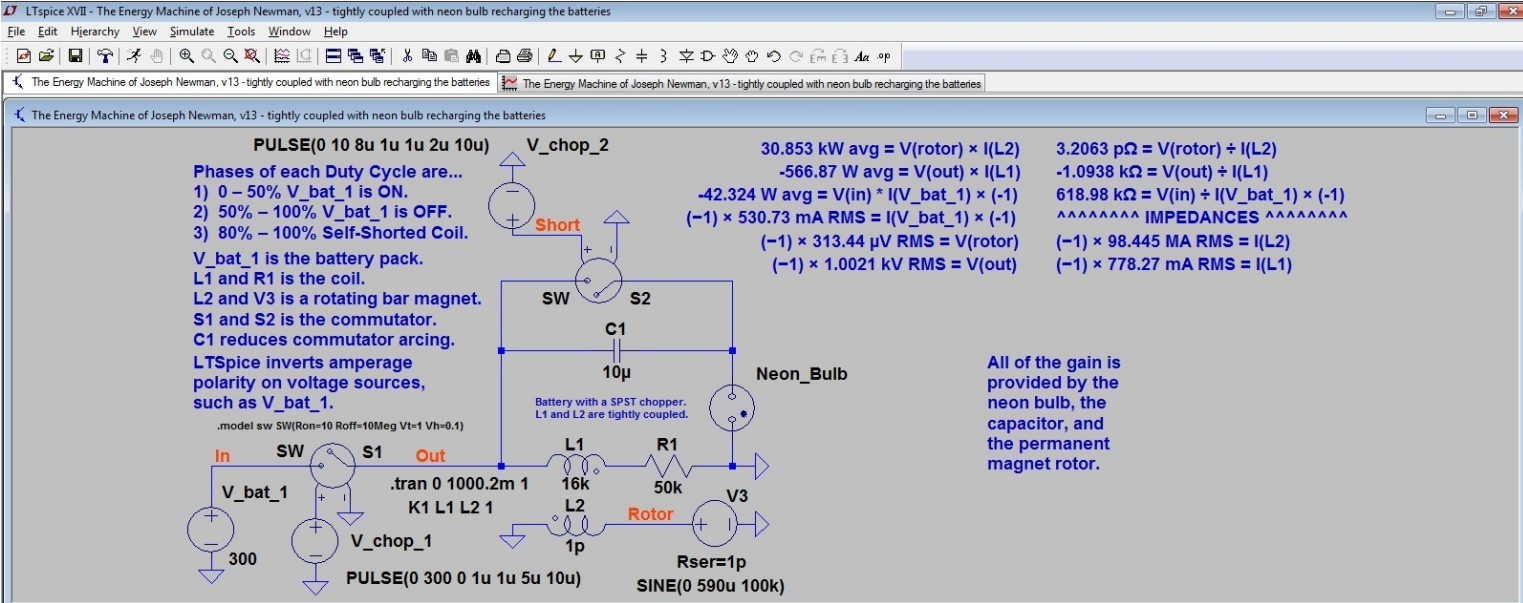
Don Smith, "[Magnetic Resonance](#)"

36. Page 23, of [the PDF](#), above, illustrates the use of an electrolytic capacitor at the output of a full bridge rectifier.
37. So, Donald Smith's pending patent has some correlation to [my modifications](#) of the Newman device.
And lastly ...
38. Here are two [LTSPICE](#) schematics exhibiting the differences between running a simulation of the

Newman device at [300 RPM](#) versus [6,000,000 RPM](#) ...



300 RPM



6 Mega RPM

Heaviside Correction to the Ferranti Effect

This chapter supersedes all subsequent chapters. It is the most recent chapter added to this loose collection cobbled together acting as an inventory of notes to myself should I forget what I devised upon reading this a decade from now!

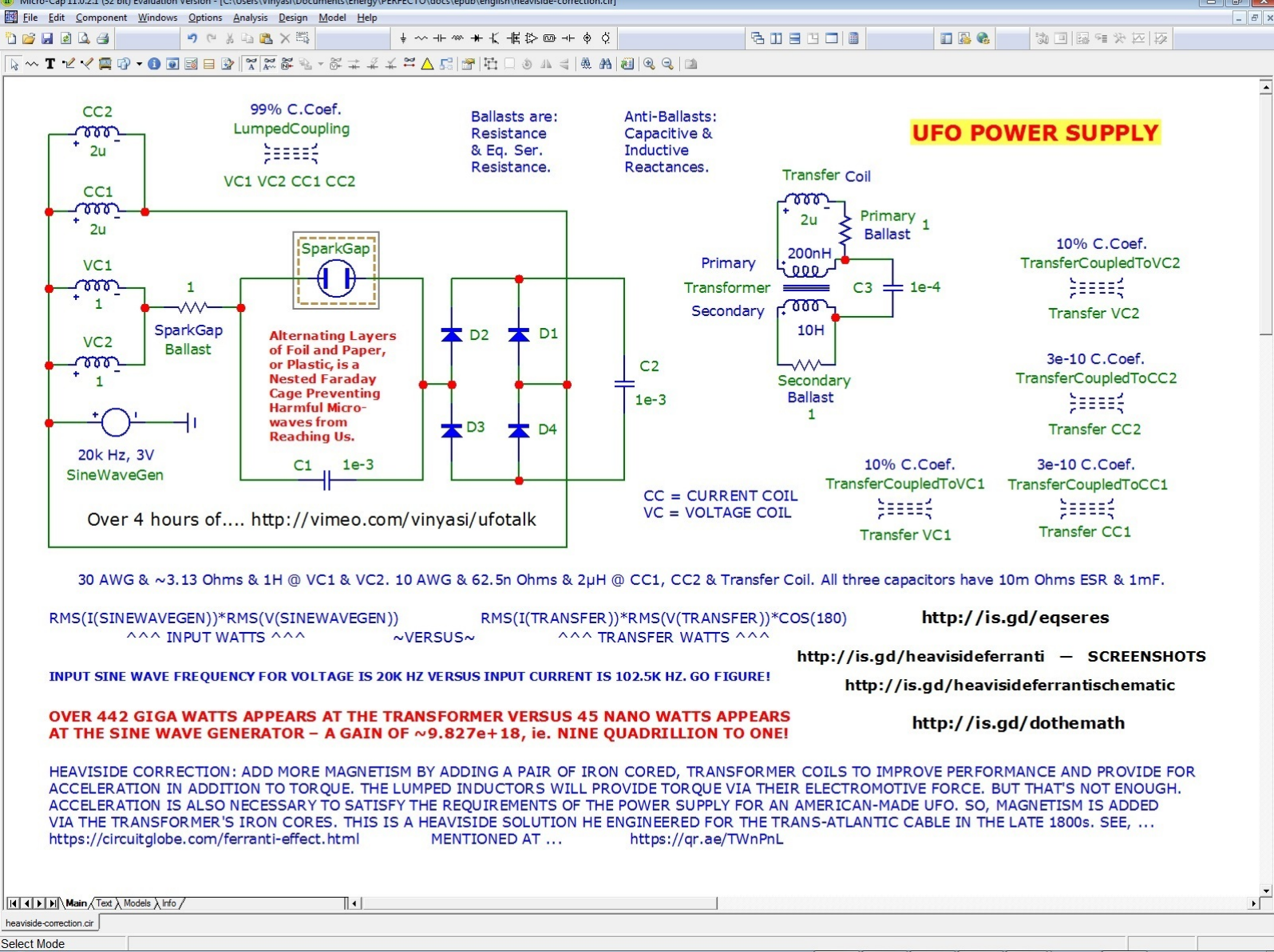
It was mentioned [in one of the previous chapters](#) that the trans-Atlantic cable had a problem: the magnetic field propagating down the line was fading far faster than did the electric field causing either a delay, or else an outright loss of signal. This problem is called: the [Ferranti effect](#). I first learned about this terminology from someone [who answered a question](#) about [negative power factors](#) on [Quora](#) although Eric Dollard has already spoken of it (which [I mention](#) in a prior chapter).

Then I realized that this is what someone else on stackExchange had been trying to tell me: that my circuit simulation had only lumped inductors without any transformers modeling a motor. This is true.

Then I realized that an iron-core armature is needed to provide acceleration to an electric vehicle.

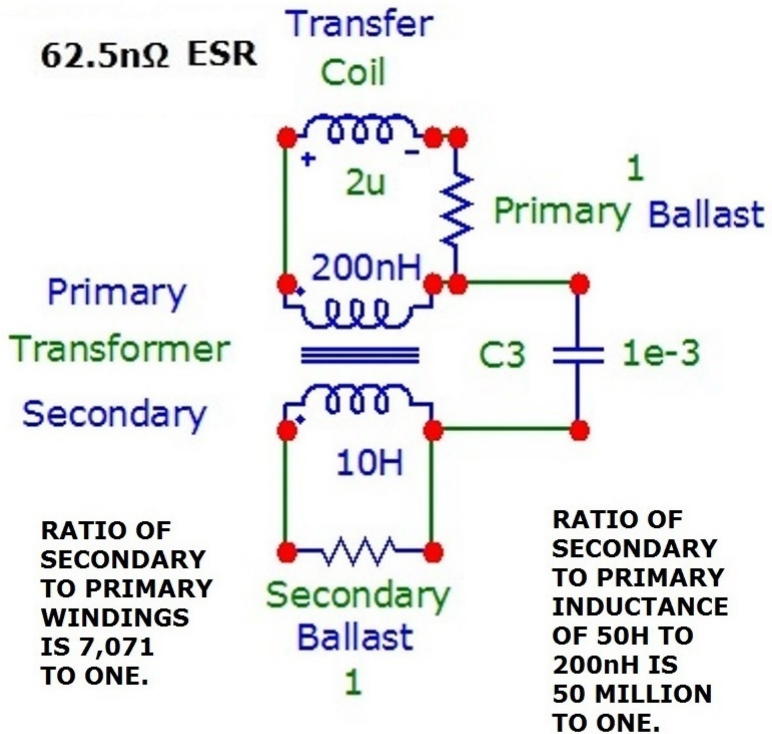
Lumped inductors provide torque without any contribution of speed. This is what the Joseph Newman device is: a torque motor. This is why he always gave demonstrations of his device pumping water. He failed to consistently excite his audience whenever he gave repeated demonstrations of his slow-moving, electric car outfitted with his motor, because the public wants both speed *and* torque – not merely torque, alone.

So, I took the advice (of the fellow on stackExchange) and added a transformer which was intended to represent the armature of a single phase, induction motor. And then, I realized, that it can't possibly rotate a motor without providing for the death of its overunity. So, I envision it as the power supply for a UFO craft. Here it is ...



[Download this image](#) or its [Micro-Cap simulation file](#).

primary = 342.789KV RMS	$1\Omega \ll \text{primary}$	TRANSFER COIL & BALLASTS	R = V / A A = V / R A x R = V
primary = 342.789KA RMS			
coil = 1.633MEGV RMS	$1.633\text{MEGV} \div 342.789\text{KA} = 4.764\Omega \ll \text{COIL}$	AFTER EIGHT SECONDS	
coil = 342.789KA RMS			
secondary = 47.993V RMS	$1\Omega \ll \text{secondary}$		
secondary = 47.993A RMS			



TRANSFORMER PRIMARY

$$1.633\text{MEGV} - 342.789\text{KA} = 1.290\text{MegV}$$

$$1.290\text{MegV} \times 342.789\text{KA} = 442.27\text{GW}$$

TRANSFORMER SECONDARY

$$1.290\text{MegV} \times 50,000,000 = 64.5\text{TeraV}$$

$$342.789\text{KA} \div 50,000,000 = 6.856\text{mA}$$

$$64.5\text{TeraV} \times 6.856\text{mA} = 442.2\text{GW}$$

TRANSFORMER GEOMETRIC AVERAGE

$$342.789\text{KA} \times 6.856\text{mA} = 2.35\text{kA}$$

$$\sqrt{2.35\text{kA}} = 48.48\text{A}$$

$$1.290\text{MegV} \times 64.5\text{TeraV} = 8.32\text{e}+19\text{V}$$

$$\sqrt{8.32\text{e}+19\text{V}} = 9.12\text{GigaV}$$

RATIO OF AVERAGE VOLTAGE TO AMPERAGE OF TRANSFORMER COILS

$$9.12\text{GigaV} \times 48.48\text{A} = 442.2\text{GigaWatts}$$

$$9.12\text{GigaV} \div 48.48\text{A} = 188.15\text{Mega}\Omega$$

[Watch a seven hour long playlist of videos](#) associated with this chapter for a more thorough description of the evolution of these screenshots.

Another possible use for a UFO power supply is to neutralize the inertia of some other heavy vessel, such as a luxury car, to make possible its conversion into an electric car of sorts. How much energy would it take to propel an inertia-free vehicle forward? Not very much. Probably as much as could be supplied by a small, electric starter motor!

According to [Arthur Mathews](#), assistant to Nikola Tesla ...

"Another one of his great inventions was the electric car. He built the first one in 1897 and he drove from New York City to Buffalo, New York and it had an average speed of 94 miles an hour. This car, if it was built today, would cost one-cent a mile to operate and it would cost practically nothing for repairs because apart from the mechanical parts, that is to say the wheels and the steering apparatus where they would compose the only moving parts, the engine in this electric car is a small alternating current motor which runs at the tremendous speed of thirty thousand rpm" **[my remark: Could Tesla have been using a magnetizable flywheel with radial grooves instead of rotor and stator coils? – Nikola Tesla, U.S. Patent # 447,921, "Alternating Electric Current Generator", March 10, 1891 and Ernst Alexanderson's knockoff: U.S. Patent # 1,008,577, "High Frequency Alternator", November 14, 1911]** "and this is reduced to eighteen hundred by means of a fluid transmission, also the invention of Tesla. The whole electric car is a magnificent piece of work and

it could be put in use today and save the public hundreds of billions of dollars now wasted in gasoline and oil and spare parts. I could give a few details about this electric car. You see, it does not use a storage battery. It uses the special primary battery and if you know anything about primary batteries you'll know that the only part of a primary battery which fails is the negative plate. Any little dry cells you use for your flashlight, for instance, is the zinc which gives way, and when that gives way the battery goes dead. Well now, Tesla invented a completely new kind of primary battery and in this primary battery, if the negative plate wears out, it can be replaced even by a child in a few seconds. And the battery, when installed in this electric car, will run that car five hundred miles before the battery needs to be attended to. And when the battery does need to be attended to it would take you ten minutes to remedy whatever is going on and the spare parts are all in the trunk. You have enough spare parts to keep that battery running twelve months of the year. You do not have to stop at the service station. You could run five hundred miles for instance at seventy five miles per hour, if you were allowed to do it of course, but you could run this car say fifty or sixty miles an hour right across the country and probably not have to stop more than fifteen minutes to attend to the batteries."

Arthur Mathews: About Tesla

Your eBookreader does not support the audio element.



[\[download MP3 file.\]](#)

[\[original source for this MP3 file.\]](#)

The original conversion kits for electric cars favored the use of motors removed from forklifts since the public, in these early days, was not too disappointed in their lack of speed or range. They were happy with anything it could provide them. And these forklift motors are specifically designed to cater to the demands of lifting heavy objects utilizing immediate torque working (such as they were) against gravity for which they were very well suited. They were not designed to accelerate from zero to sixty in less than [18 seconds](#) – which is what the RAV4EV from 2002 was designed to accomplish despite its A/C motor *not* being from a forklift! As little as this appears by conventional standards, the Joseph Newman device is [poorly suited](#) for application to electric cars since its acceleration is far worse.

Now, we get to the juicy part ...

It's possible to modify this circuit concept a little bit further to make it possible for it to become a solid-state, electrical generator capable of supplying D/C for inductive loads and pulsed A/C for resistive loads (excluding LEDs). So, for now on, it won't matter whether or not this circuit may directly spin a motor shaft. Who cares! All we have to do, to accommodate its short-comings, is to keep the existing motor/s and add the following power supply booster in parallel with the already existent battery pack in our electric vehicles. We might even continue to utilize our battery pack for short-term accelerations up an incline, and merely use this specialized circuitry of mine to bypass the EV's battery pack while cruising on level ground while topping off the battery pack at the same time. We might even dispense with the car's DC-to-DC converter (normally used to recharge the auxiliary battery under the hood) and replace it with a small solar panel on the car's roof. Or else, use a regular alternator from a conventional gas-fired car for recharging the auxiliary battery. Either way we choose to proceed with this circuit, we will come out ahead with unlimited range and no need to ever again have to recharge – while standing still – at a charging station, nor pay for it, either.

NOT LESS THAN >>> 99% C. Coef. LumpedSolenoids
 CC = CURRENT COIL VC = VOLTAGE COIL
 VC1 VC2 CC1 CC2

10% C. Coef. TransferCoupledToVC1
 Transfer VC1

10% C. Coef. TransferCoupledToVC2
 Transfer VC2

3e-10 C. Coef. TransferCoupledToCC1
 Transfer CC1

3e-10 C. Coef. TransferCoupledToCC2
 Transfer CC2

MIXED POWER SUPPLY WIRING SCHEME

Please take notice of the direction of windings wrapping these four coils onto a mutually shared, iron-core enabling them to achieve a 99% coefficient of coupling.

Ballasts are: Resistance & Eq. Ser. Resistance.
 Anti-Ballasts: Capacitive & Inductive Reactances.

<http://is.gd/mixedpowersupplyschematic>
<http://is.gd/mixedpowersupply> — SCREENSHOTS

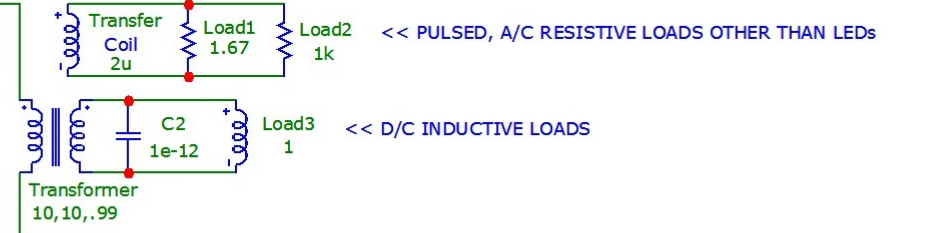
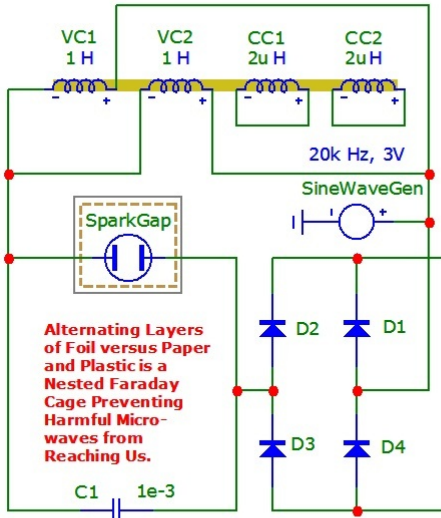
Over 7 hours of... <http://is.gd/freesenergyvideos>

30 AWG & ~3.13 Ohms & 1H @ VC1 & VC2. 10 AWG & 62.5n Ohms & 2μH @ CC1, CC2 & Transfer Coil. Both capacitors have 10m Ohms ESR.

$RMS(I(SINEWAVEGEN)) * RMS(V(SINEWAVEGEN)) \lll INPUT\ WATTS$
 $RMS(I(Load2)) * RMS(V(Load2)) \lll LOAD2\ WATTS$
 $RMS(I(Load3)) * RMS(V(Load3)) \lll LOAD3\ WATTS$

<http://is.gd/eqseres>

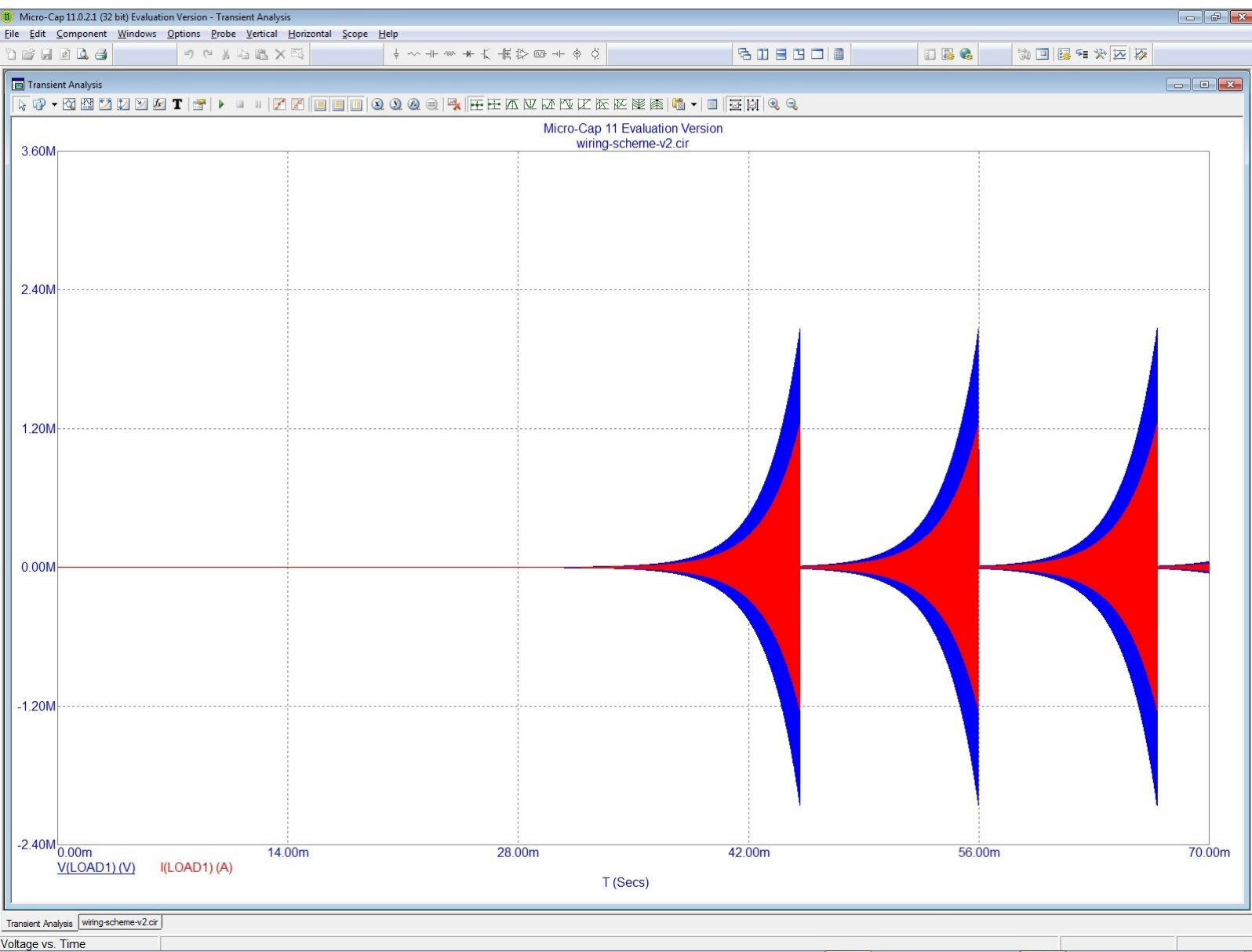
HEAVISIDE CORRECTION: ADD MORE MAGNETISM BY ADDING A PAIR OF IRON CORED, TRANSFORMER COILS TO IMPROVE PERFORMANCE AND PROVIDE FOR ACCELERATION IN ADDITION TO TORQUE. THE LUMPED INDUCTORS WILL PROVIDE TORQUE VIA THEIR ELECTROMOTIVE FORCE. BUT THAT'S NOT ENOUGH. ACCELERATION IS ALSO NECESSARY TO SATISFY THE REQUIREMENTS OF A MIXED POWER SUPPLY. SO, MAGNETISM IS ADDED VIA THE TRANSFORMER'S IRON CORES. THIS IS A HEAVISIDE SOLUTION HE ENGINEERED FOR THE TRANS-ATLANTIC CABLE IN THE LATE 1800s. SEE, ...
<https://circuitglobe.com/ferranti-effect.html> MENTIONED AT ... <https://qr.ae/TWnPnL>



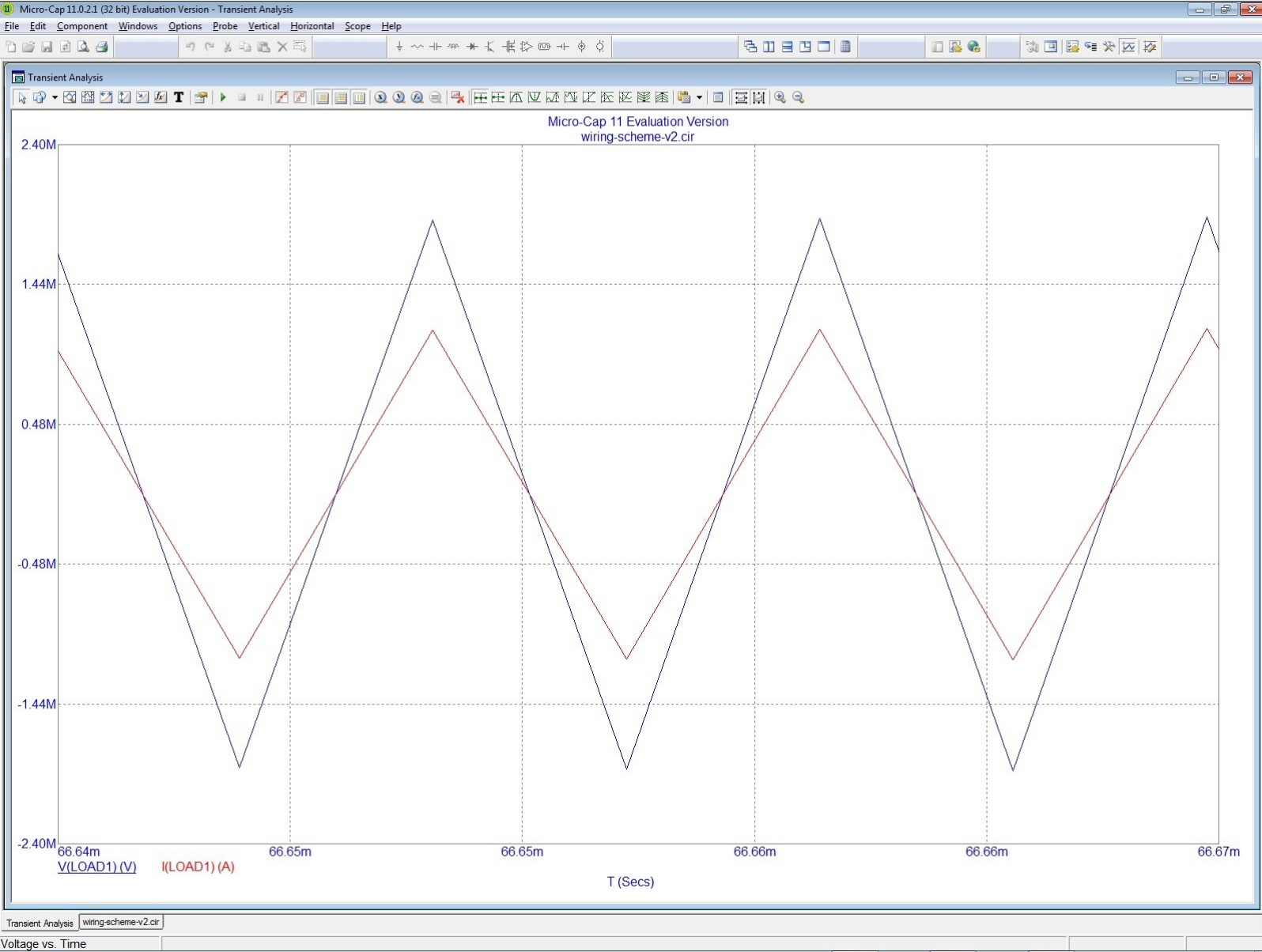
INPUT SINE WAVE FREQUENCY FOR VOLTAGE IS 20K HZ VERSUS INPUT CURRENT IS PURE NOISE.

600 MEGA WATTS APPEARS AT RESISTIVE LOAD2 AND 50 KILO WATTS APPEARS AT INDUCTIVE LOAD3 WHILE LESS THAN 100 NANO WATTS APPEARS AT THE SINE WAVE GENERATOR!

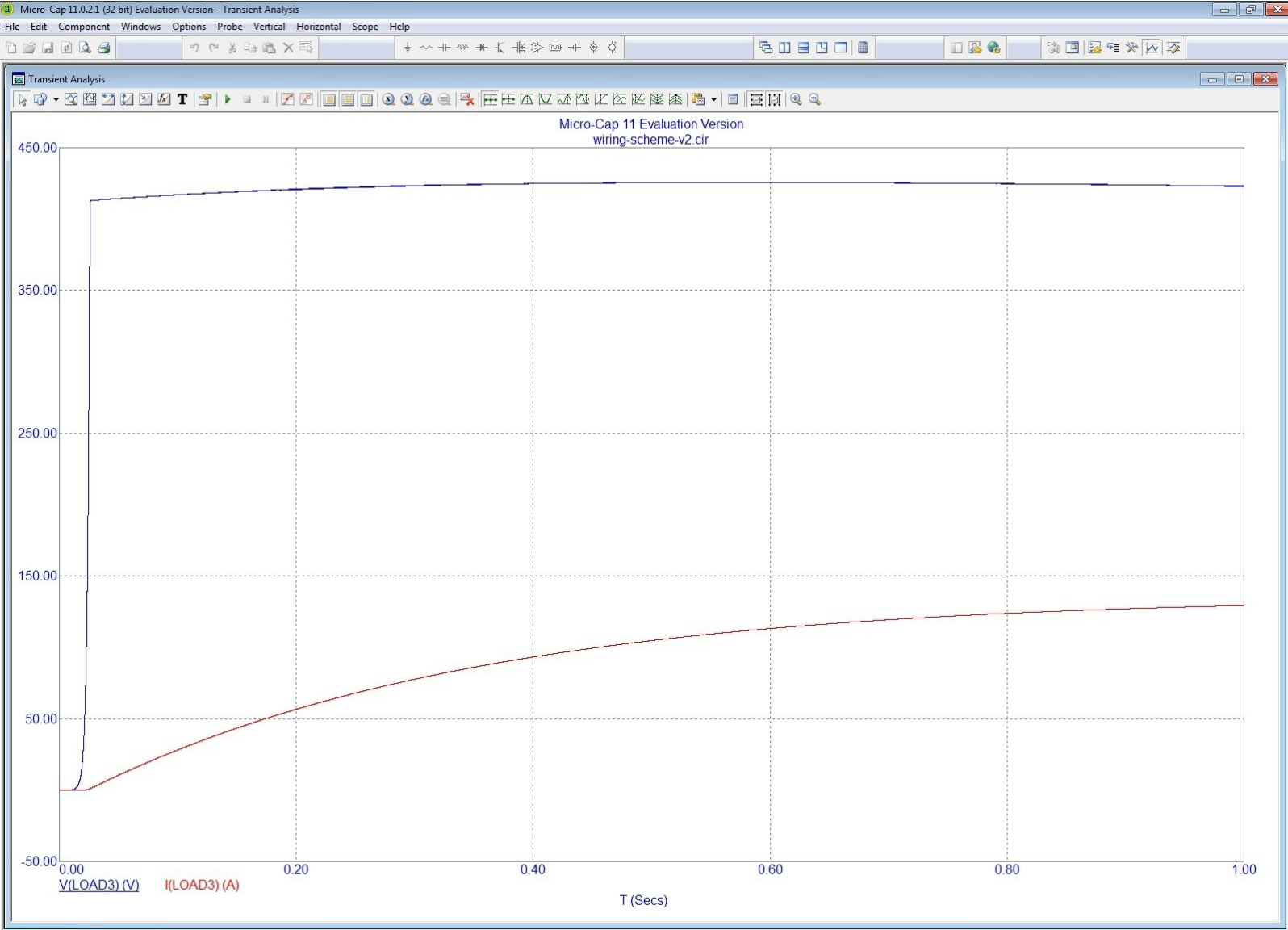
[Download a compressed ZIP file](#) containing the following images and its [Micro-Cap simulation file](#).



This is an overall view of the 1.67Ω resistive load #1's output of voltage and amperage appearing as surges shaped as staccato wedges. Their escalation is cut-off by periodic dissipation via the circuit's spark gap. Otherwise, without these frequent cut-offs, the electrical escalation would surge to infinite oblivion of its material host.

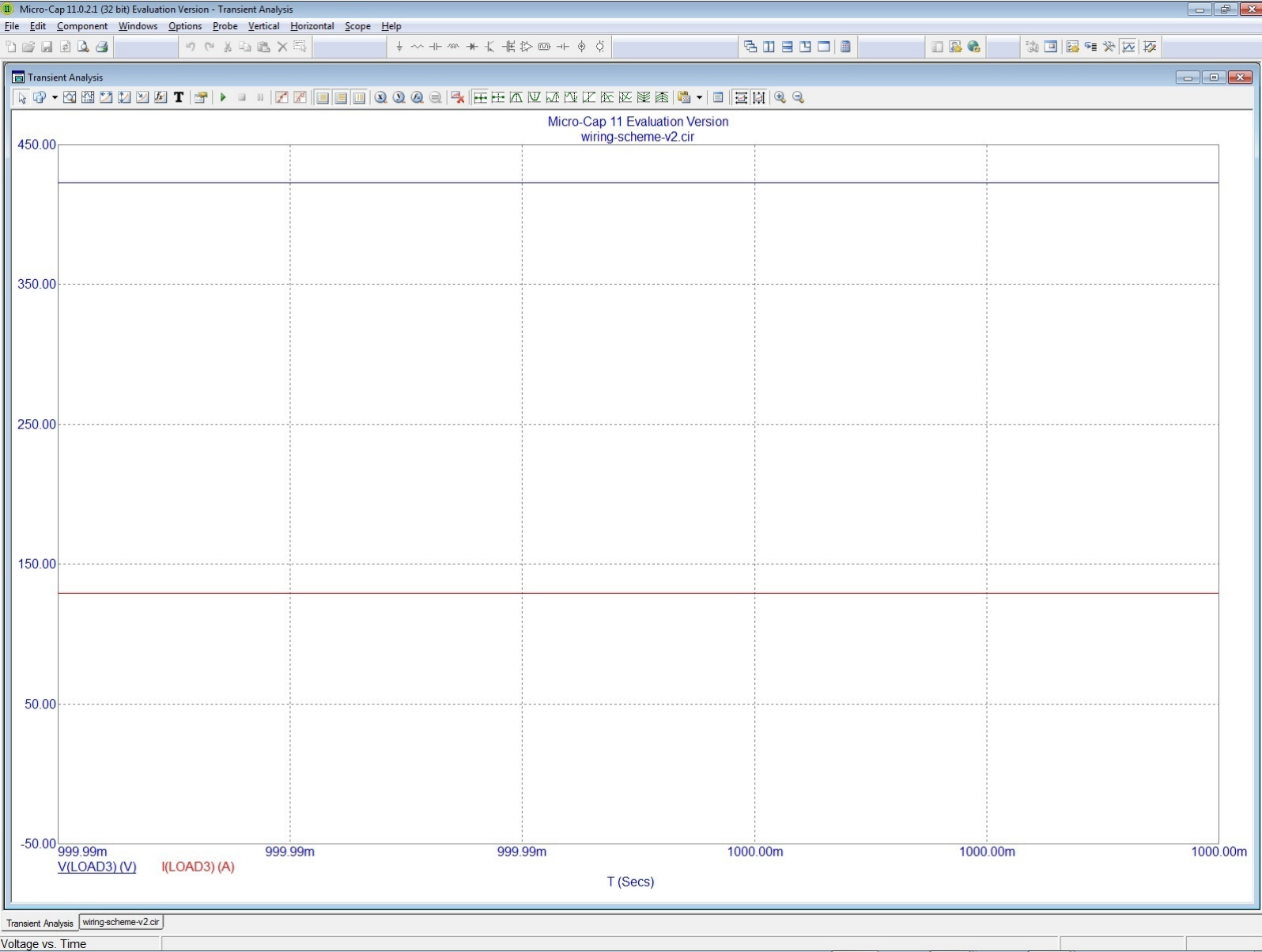


This is a closeup of the same resistive load showing how the voltage sine waves (approximated as triangular waves) in blue and the amperage in red are lined up in phase with each other. Resistors can do that; they can realign the two components of A/C electricity making them the easiest way to put a negative power factor to good use.

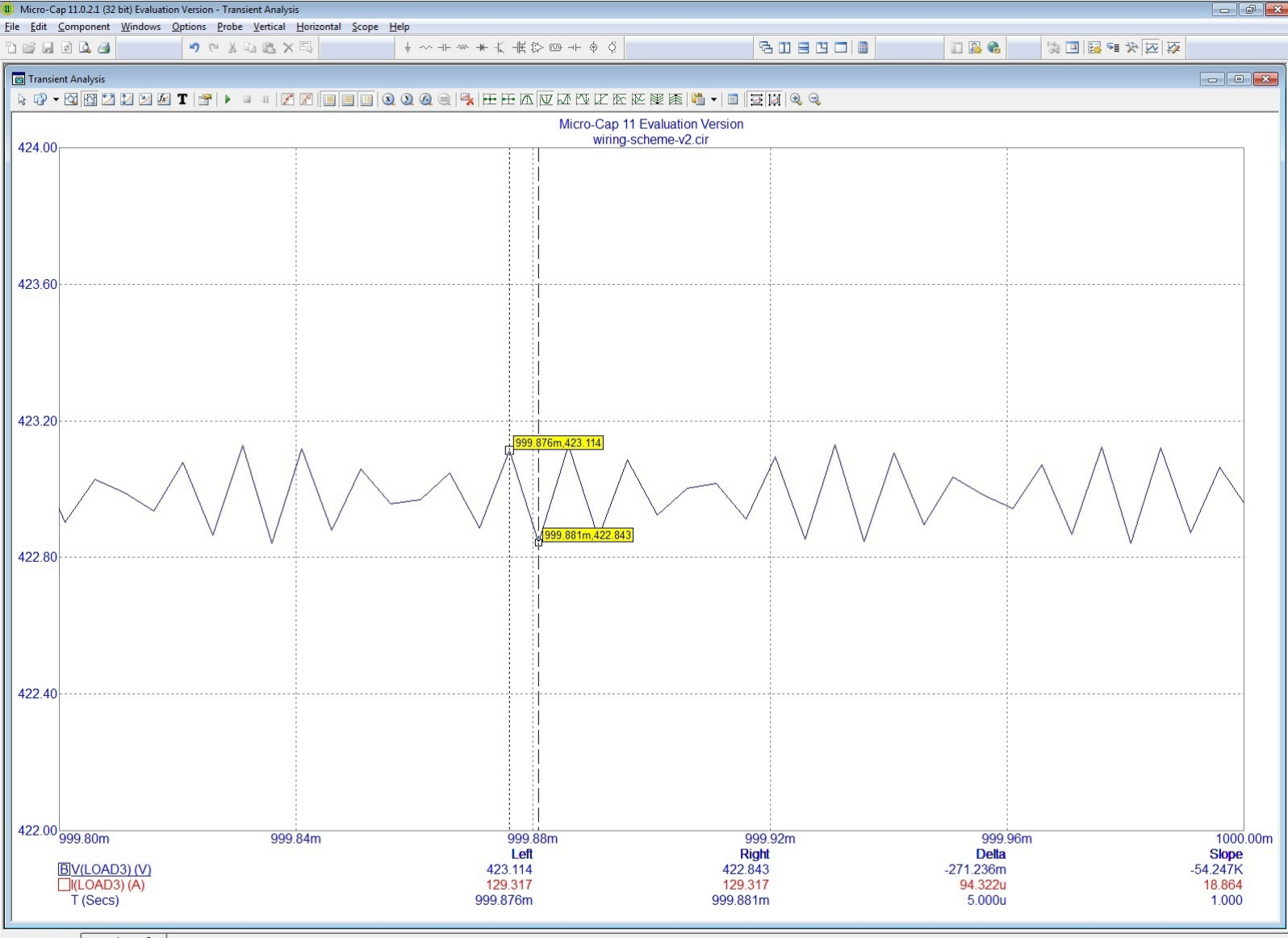


Transient Analysis wiring-scheme-v2.cir
Voltage vs. Time

Here is the one Henry, inductive load #3 indicating that it's voltage level is behaving much like the capacitor, C2, beside it: it slowly (at first; then quickly) surges to a plateau and then gradually levels out to a slightly lesser value of output. Meanwhile, the amperage is slowly increasing.

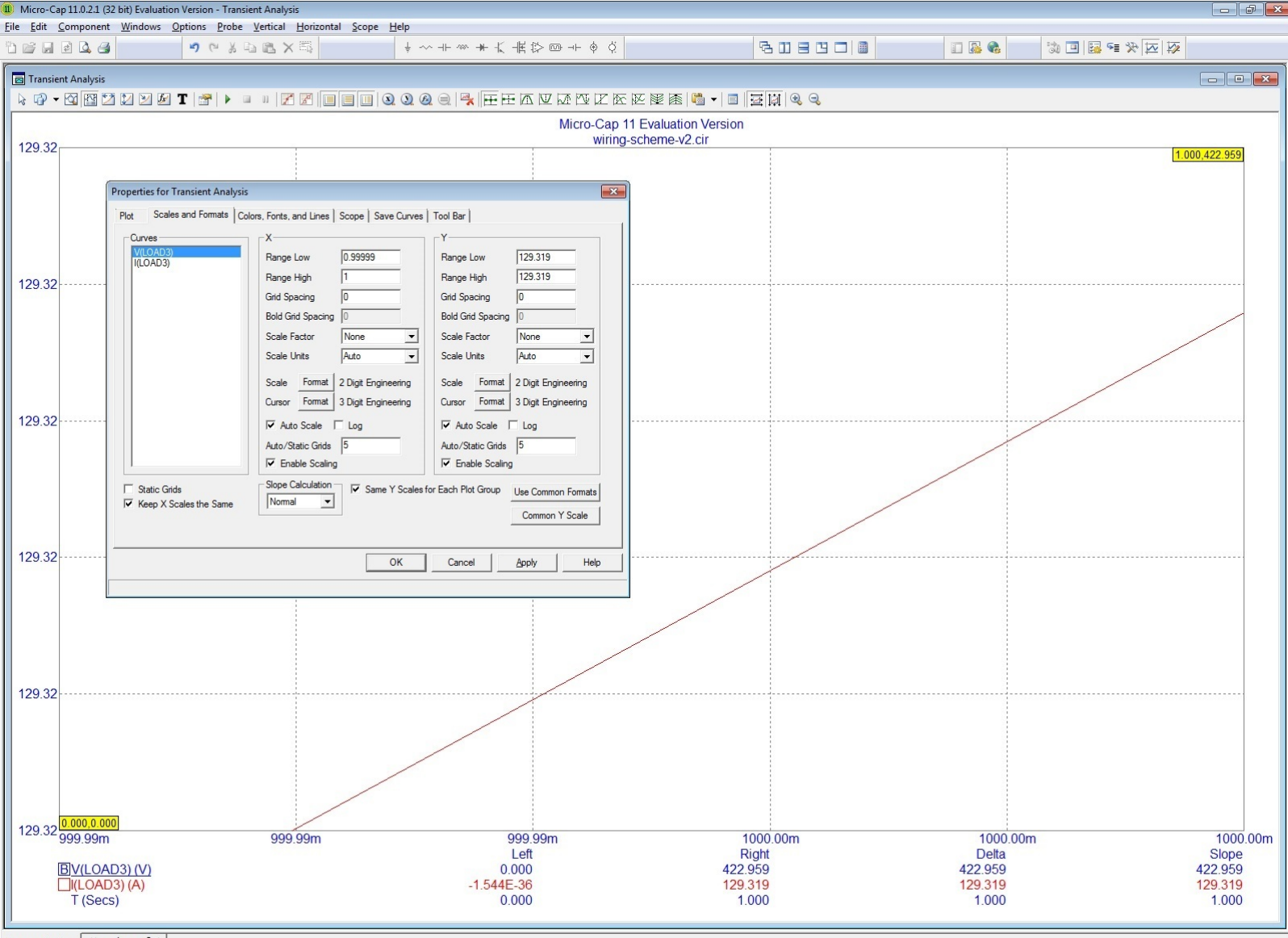


Here is a little closer view.



Transient Analysis wiring-scheme-v2.cir
Voltage vs. Time

Here is a very tight view of the voltage showing that it is an erratic, series of sine waves varying by less than one volt out of its 420 making its D/C approximation of A/C suppression/conversion less than one percent in error. That's not bad (for the sake of tolerance) and can be adjusted further or lesser by varying the inductances of both sides of the nearby transformer by more or less Henrys.



This closeup view of the amperage of inductive load #3 shows that it is totally flattened by the actions of the four diode bridge to the left of the transformer while it continues to rise to its plateau of equilibrium.

Proof-of-Concept Solution

To demonstrate overunity arising from the modification of an off-the-shelf motor (without actually insuring any practical use; not yet anyway; that comes later), the main motor coil is unwound from its bobbin of an A/C induction motor after its removal from a [Nostalgia 4-Quart Electric Ice Cream Maker](#). Five sections of equal length of 30 AWG enameled magnet wire are soldered together and wound 2,247 turns around the bobbin to replace the original winding. Patents [US447921](#) (Tesla) and [US1008577](#) (Alexanderson) may provide rotation for a high frequency motor? Or, split this winding into a pair of bifilar coils connected in parallel with the motor.

The two starter coils, SC1 and SC2, are assumed to be enameled magnetic wire of 10 AWG. They are left intact and connected to the circuit as is displayed by the various schematics throughout this book.

More power for less frequency can be had if the main motor coil is divided into any number of multifilar windings greater than five. Having more windings is similar to the design of the [Tesla Motor](#) for that motor has many multifilar windings on its main motor coil. I forget how many, but they are in excess of hundreds – maybe thousands – of parallel windings. A third starter coil, SC3, could also be added for improved efficiency, but no further additions will help.

A Signal Generator is used to feed a sine wave frequency into this device. The negative lead of the sine wave generator's output is grounded with a capacitor, C3, in between the generator and ground, while the positive output is connected as an input to this device. There is no load at the output of the signal generator. Hence, its maximum output is 3V to 10+V before feeding this into the simulation. Perhaps batteries could supply the voltage for the generators? And solar panels could recharge the batteries?

The voltage exiting the sine wave generator and entering into the circuit should be no more than one volt, or preferably a micro volt, lest anything greater should spoil the action within the circuit. Voltage division and two separate grounds helps preserve the play and the actors therein by keeping the voltage source at the door – where it belongs – and disallow its entry. If the simulator should find anything wrong with the circuit, there's a good chance the model build will be in error as well.

The sine wave frequency is set, and adjusted, to whatever output is needed at the rotor.

This was a good exercise since I had to plan for an increased torque – not simulated by the inclusion of a current source, but – by an increased resistance at the squirrel cage rotor. This resistance is set to 288Ω to simulate the lowered amperage (of roughly 417mA) of this motor undergoing mechanical resistance rotating against thick ice cream.

The spark gap won't fire up in the presence of strong impedance unless a capacitor (C1), of 1e-13 Farads or less, is placed in parallel with it. This same mechanism is required when raising the generator's input voltage beyond its safe limit of micro volts. For this limitation, a small 10pF capacitor, C3, is placed adjacent to the ground connection behind the frequency generator. These stabilizing influences make it possible to raise the sine wave's input voltage and also raise the self-induction of the rotor coil.

BTW, if you haven't already guessed, achieving a very low capacitance outside the limit of available components for sale is easy! Just put multiple capacitors in series according to the formula:

$$(1 \div C_1) + (1 \div C_2) + (1 \div C_3) \dots = 1 \div C_{\text{total}}$$

Or, build your own ultra-low Farad capacitor using glass plates with a silver finish.

Search for: [how to make a mirror glass](#)

The right values of self-induction will appear at the rotor, frequency at the moderate frequency sine wave generator, and capacitance at C1 when the rotor's target voltage of 120V RMS and double the motor's original operating frequency – of 60 Hz – is reached in which surges occur at regular intervals of $\rightarrow 2 \times 60 \text{ Hz} = 120 \text{ Hz}$.

Raising the self-induction of the rotor coil will be at the expense of lowering its overall power level (most of the time!), yet have the benefit of increasing the output frequency and allow the rotor to engage more torque. This can be offset by raising the frequency of the moderate frequency sine wave generator which will *increase* the power level.

If you receive error messages from the simulator while making adjustments to these two crucial components, or if the spark gap fails to ignite (preventing relentless surges from cooking your circuit), then lower the capacitance of C1. This will have the benefit of raising the frequency at the rotor while also lowering the power level.

A spark gap replaces the need for mechanical relays (governing the surges) by chopping them up into [staccato shapes](#).

But don't let me discourage you from using relays!

If the inner-most Faraday Cage is connected to an EV's chassis (to use as a common ground), then perhaps it might be possible to reduce the sine wave generator's frequency? I don't know ...

Somewhere between one second and infinity the tendency to surge to infinite gain may reassert itself capable of exploding this device sending shrapnel in all directions and melting the copper windings. Or, it will slowly dissipate.

But if it escalates, then we may make an analogy in which the use of a spark gap (as a regulatory agency) is similar to the natural phenomenon of a 30-year flood versus a 100-year flood versus a 300-year flood, et cetera, in which the surge (considered by itself as a condition which feeds this overunity phenomenon) is evidence of *a natural analog whose rarity increases its intensity* not restricted to electrical transients, alone, but are indications of a natural tendency for energy – *in general* – to want to behave as if it were a *wild stallion* free of limitations or restrictions of any sort. The practical consideration, herein, is of a surging condition which – in and of itself – is *not* a stable phenomenon. But rather, it is an *accelerative* condition which accelerates its escalation at an exponential rate despite our best attempts to thwart it!

Rather than *not* believe in free-energy, I would rather believe in this natural tendency for energy in general, and electrical energy in particular, to behave as if it possesses no internal mechanism for self-regulation, namely: that it embodies a condition of unrelenting growth (analogous to: cancer and viral disease). And that it is only our persistent pursuit of electrical energy's regulation (and sometimes its outright suppression) which prevents this natural, wild tendency from getting the better of our electrical systems resulting in their [self-destruction if allowed to operate unchecked](#). This was the state of affairs of one of the earliest electrical distribution systems of Thomas Edison's D/C transmission lines before the 20th century.

In either case, an easy solution is to sense when this surge or dissipation is beginning to escalate/diminish, before it reaches epic proportions, and swap the connections for capacitor, C2. Or else, make it a point to swap connections in a regulated, periodic manner regardless of whether or not there are any indications of this becoming a runaway surge since there probably won't be adequate warning, anyway, to take remedial action. So, why take the risk of failure to prevent it? This capacitor will begin to drain and then it will restart its charging up. When it reaches saturation (within a very short

period of time amounting to a few dozen milli seconds), the spark gap will begin to fire, again, at the same level it had been firing before the inversion of C2's connections took place.

This will slightly increase the rotor's output. Hence, I've taken the liberty of running [this simulation](#) on the presumption that it is not beginning from a cold start. But rather, C2 has the advantage of being precharged with a fully saturated condition of -120V.

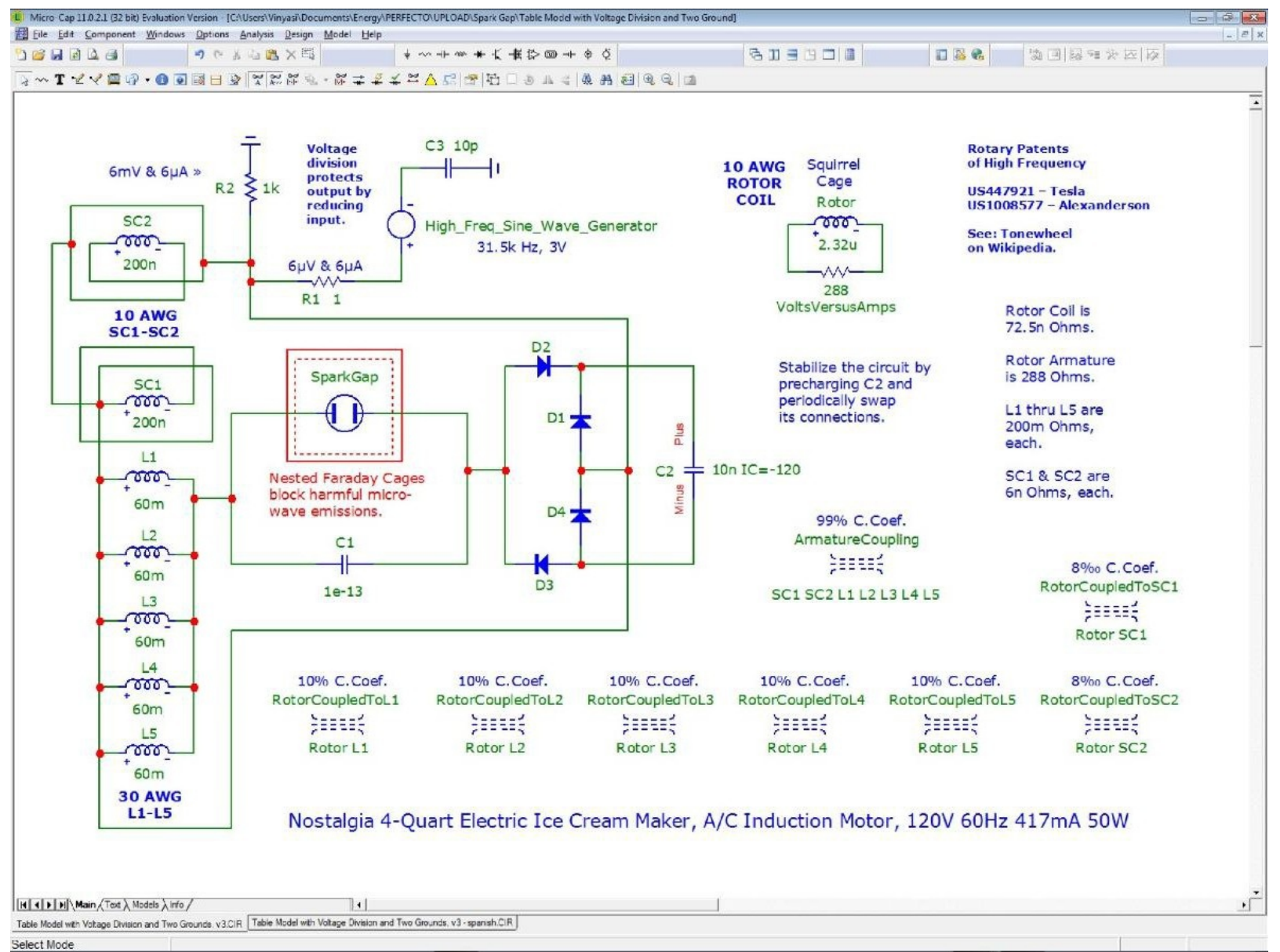
This is represented in the schematic as "IC= -120". "IC" is an abbreviation for the capacitor's "initial condition".

The capacitor's polarity markings (for the sake of the simulation) helps orient the initial condition. So, I have to guess that the negative 120V charges the bottom of the capacitor with this value? And when it discharges immediately afterwards, it will discharge with a positive value of 120 volts. The two diodes adjacent to the bottom of C2 are oriented to accept this polarity of discharge.

The inversion of C2 could be accomplished with the use of a commutator, or relays.

Input frequency – by itself – is potential energy. It is not kinetic energy when the rotor coil is fed by a very low voltage of a moderate, input frequency coming from the sine wave generator positioned at the outskirts of the circuit.

The rotor's magnetism converts the frequency of the sine wave generator into kinetic energy to rotate the motor shaft. This rotation will create current of its own adding to the overall energy of the rotor requiring a reduction of the rotor's self-induction, and a readjustment of the sine wave generator's frequency, to compensate for this increase of power and to prevent the rotor from spinning out of control. The rotor's self-induction could be reduced by multi-stranding its coil with switching elements inline with each strand and micro-controlled to regulate how many strands – and which ones – are open or shut. C3's capacitance may also need to be reduced to stabilize the spark gap.



Rotary Patents of High Frequency
 US447921 - Tesla
 US1008577 - Alexanderson
 See: Tonewheel on Wikipedia.

Rotor Coil is 72.5n Ohms.

Rotor Armature is 288 Ohms.

L1 thru L5 are 200m Ohms, each.

SC1 & SC2 are 6n Ohms, each.

Stabilize the circuit by precharging C2 and periodically swap its connections.

99% C.Coef. ArmatureCoupling

SC1 SC2 L1 L2 L3 L4 L5

8% C.Coef. RotorCoupledToSC1

Rotor SC1

10% C.Coef. RotorCoupledToL1

10% C.Coef. RotorCoupledToL2

10% C.Coef. RotorCoupledToL3

10% C.Coef. RotorCoupledToL4

10% C.Coef. RotorCoupledToL5

8% C.Coef. RotorCoupledToSC2

Rotor L1

Rotor L2

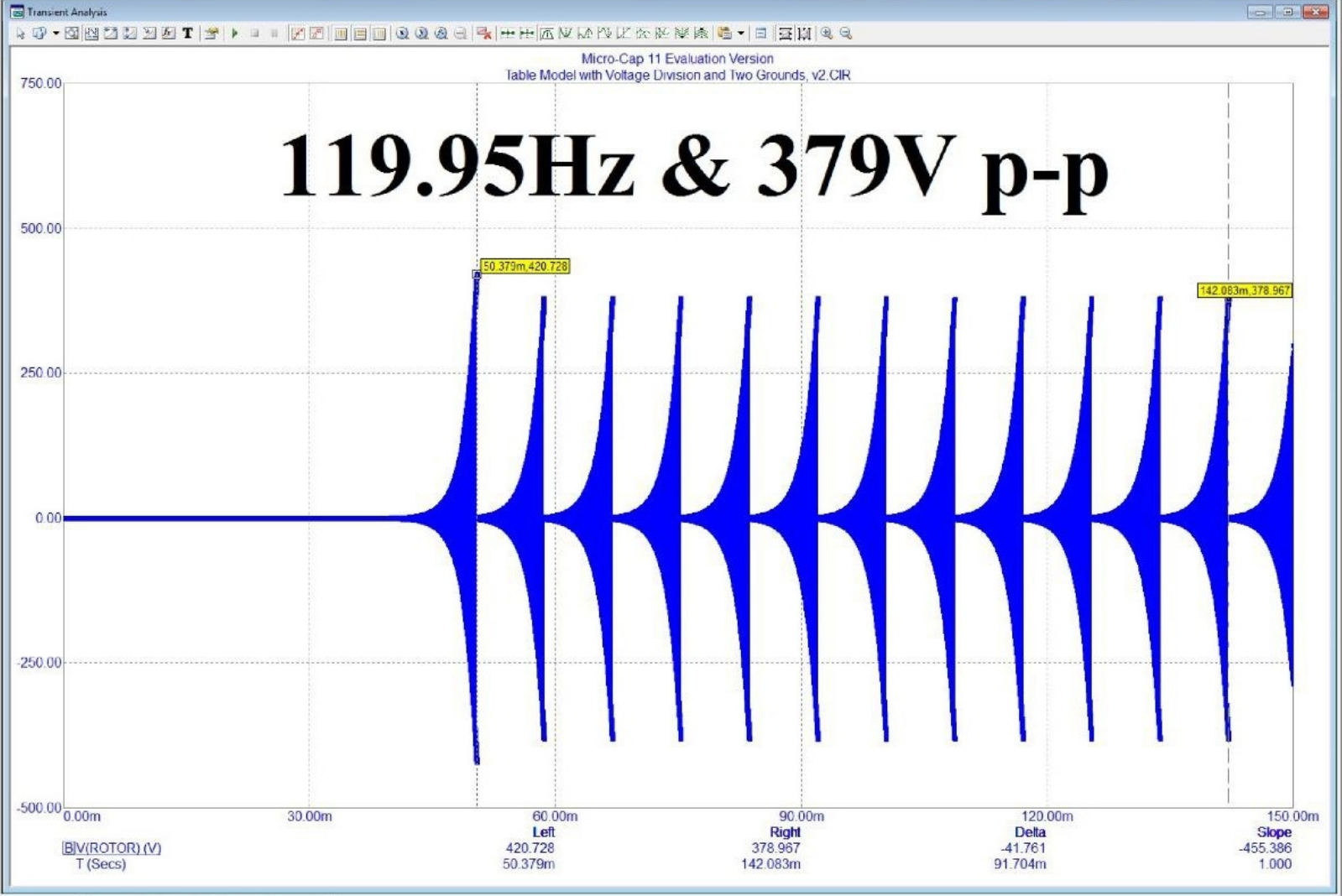
Rotor L3

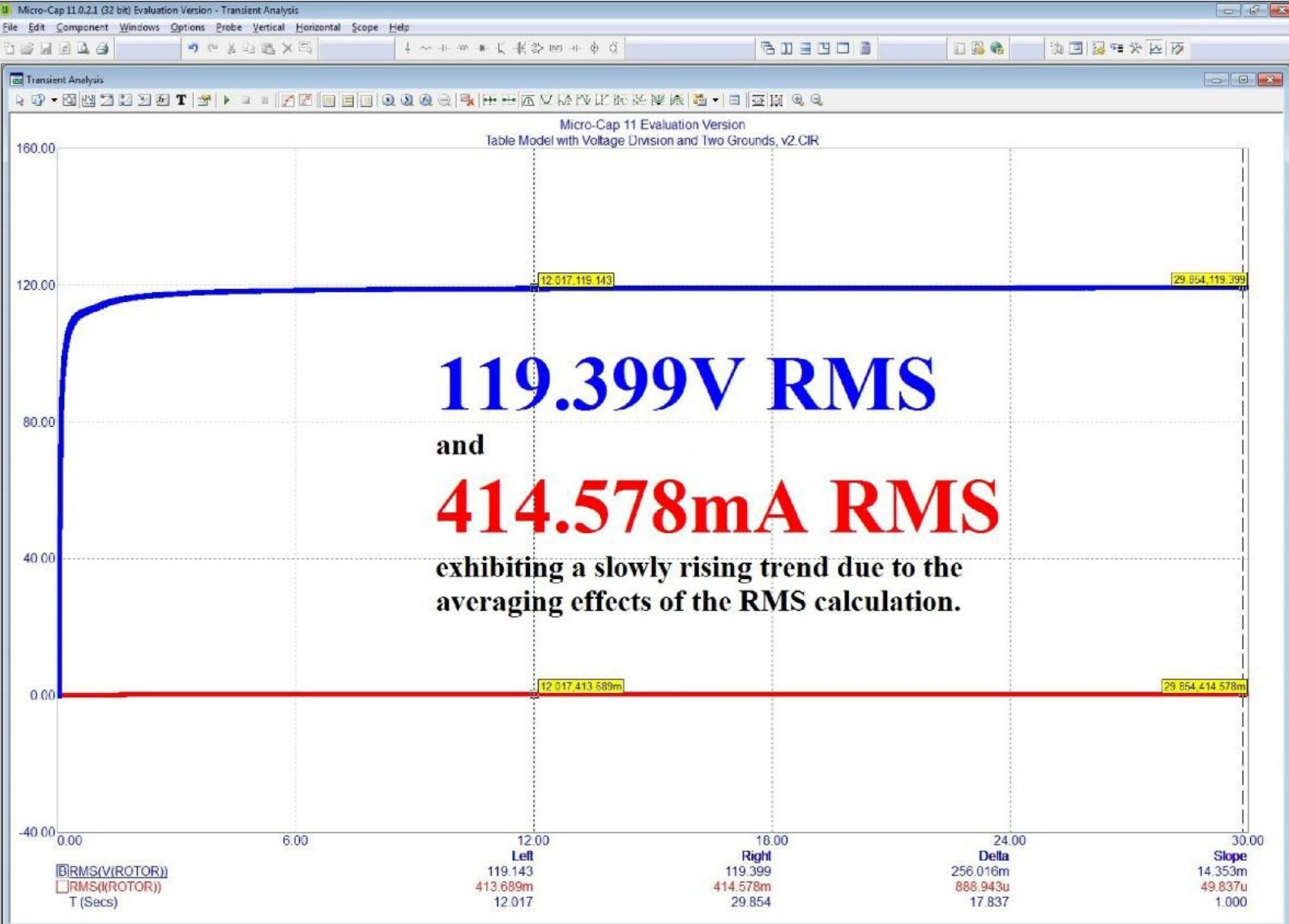
Rotor L4

Rotor L5

Rotor SC2

Nostalgia 4-Quart Electric Ice Cream Maker, A/C Induction Motor, 120V 60Hz 417mA 50W





Transient Analysis Table Model with Voltage Division and Two Grounds, v2.CIR
Voltage vs. Time

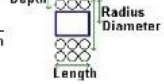
Coil Inductance Calculator

- To calculate the inductance of a multilayer, multirow, air-core coil:
1. Select the measurement units (inches or centimeters).
 2. Enter the number of turns (windings).
 3. Enter the coil diameter (center of coil to center of windings - see diagram).
 4. Enter the coil length (distance from first to last winding - see diagram).
 5. Enter the winding depth (see diagram).
 6. Click **Calculate**.

Inches
 Centimeters

Single-layer coil
 Multi-layer, multi-row coil
 Multi-layer, single-row coil

(The following inductance formula requires units in inches.)

$$L = \frac{0.8 (\text{Radius}^2 \times \text{Turns}^2)}{6\text{Radius} + 9\text{Length} + 10\text{Depth}}$$


Turns

Diameter

Length

Depth

Result: Inductance = 62,578 microhenries

Reference: The ARRL Handbook for Radio Communications 2017
See also: Toroid coil winding calculator
French version

2,247 windings are for 3V input.

- Check out the recommended reading list
- Calculators
 - Small Transmitting Loop Antennas
 - Full-Wave Loop Antennas
 - Quarter-Wave Vertical Antennas
 - Coil-Shortened Vertical Antennas
 - Dipole Antenna Length
 - Coil-Shortened Dipole Antenna
 - Coil Inductance
 - Toroid Coil Winding
 - Wire Gauge & Diameter
 - Capacitance (Capacitor Design)
 - Capacitive Reactance (Xc)
 - Inductive Reactance (XL)
 - Body Mass Index (BMI) Calculator
- The pH Pages
 - The Simplest Possible pH Meter
 - Build a pH Meter and Controller
 - Buying a pH Meter
 - pH Meter Calibration & Care
 - pH Probes
 - pH Meter Calibration Buffers
 - pH Buffering
 - pH Test Kits
- CO2 & the Planted Aquarium
- Recommended (free) Software
- Computers
 - Create a Database Table from a Spreadsheet
 - Export a Database Table to a Spreadsheet

Watts / Volts / Amps / Ohms calculator

Watts (W) - volts (V) - amps (A) - ohms (Ω) calculator.

Calculates power / voltage / current / resistance.

Enter **2 values** to get the other values and press the *Calculate* button:

Enter watts:	<input type="text" value="50"/>	watts (W)
Enter volts:	<input type="text" value="120"/>	volts (V)
Enter amps:	<input type="text" value="0.416666667"/>	amps (A)
Enter ohms:	<input type="text" value="288"/>	ohms (Ω)
<input type="button" value="Calculate"/>		<input type="button" value="Reset"/>

Ohms calculations

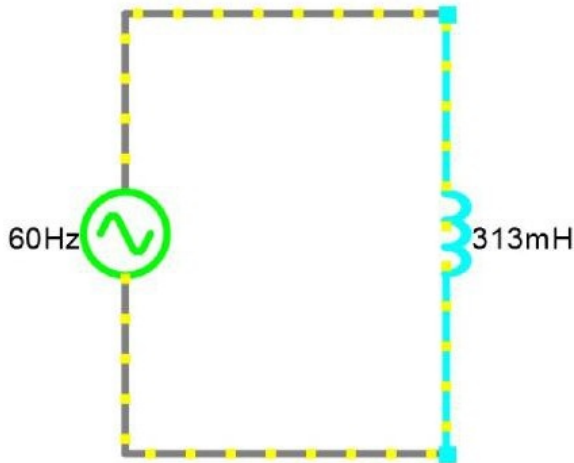
The resistance R in ohms (Ω) is equal to the voltage V in volts (V) divided by the current I in amps (A):

$$R = \frac{V}{I}$$

The resistance R in ohms (Ω) is equal to the squared voltage V in volts (V) divided by the power P in watts (W):

This calculator was used to get the amps and resistance for the ice cream machine's motor from its rated watts and volts. Cool, huh?

<http://vinyasi.info/realsim>



Edit Component

Inductance (H)
313m

Wire Gauge: 1m or more (AWG) to determine ESR: <http://is.gd/eqseries>
30

Trapezoidal Approximation

Apply OK Cancel

I used my realistic simulator to calculate equivalent series resistance of coils...

<http://is.gd/eqseries>

Reset RUN / Stop

Circuit Information

Simulation Speed

Current Speed

Power Brightness

Current Circuit

@ Power Factor Correction

Pure Resonance

The oscillating electrical surge is the divergent source of negative resistance behind lightning capable of massive discharges whose limits are infinity. We're fortunate they never get that far!

Real-World Simulations

Overunity w/ Series Resonance

Step thru Simulations

Download the Circuits

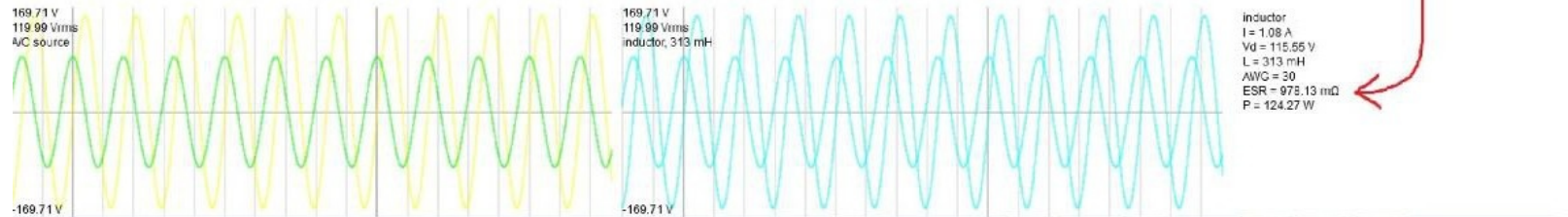
How to Compose coils

Heavenly Driving Angles

Rainbow Arise Series

Sixm Bobbles Power

Walk Play Maha



Epilogue to the Solution

Motors have conventionally been assigned the task of converting a stable input into a stable output. They are not considered overunity machines. This is demonstrated by their wiring schemes. But with a little modification to an induction example, it is possible to liberate a motor from depending exclusively upon outside sources for its energy.

Conductors of symphony orchestras never double as a complete substitute for the orchestra which they guide. They merely conduct while the orchestra plays. Their orchestra provides whatever energy and man power is required for the manifestation of their guidance. Each performs their own task assigned to them without any exclusive crossover. Even in rare cases when the lead violinist or the concert pianist also doubles as the orchestra's conductor, the orchestra is never eliminated. It is retained to act *in concert* with the lead violinist or concert pianist to perform the music.

Likewise, should a voltage source merely provide guidance for its circuit. It should never serve as the sole source for a circuit's energy. Voltage sources are given the analogous term of 'voltage regulators' for a very good reason (if we heed this implication): avoid giving the circuit *all of the life-force it needs to survive* by merely providing a waveform (be it simple or complex) to serve as a germinal archetype for the circuit to wrap its enhancements around.

Once a voltage regulator becomes a voltage source, the circuit is locked into a fixed outcome tied to its input as a complete dependency.

For example, theater companies need not be exclusively tied to their director. They may be composed of an ensemble who cooperate in fulfilling the total responsibilities of direction as well as performance without the need for a director distinct from his, or her, acting troupe. *{Not unlike Danny Kaye making believe he was single-handedly conducting an orchestra* when, in fact, the orchestra was conducting itself!}*

*Search for: [Danny Kaye conducting an orchestra](#)

This is my vision for an ideal circuit in which its director (the voltage regulator) serves in a limited capacity allowing the circuit the freedom to amplify itself without the smothering presence of a voltage source. *{Think of voltage and current sources as damping sub-circuits.}*

See: [Buffer amplifier on Wikipedia](#)

When a voltage source becomes feeble, its regulatory benefits also become minuscule. Thus, it is often necessary to provide additional regulation within the body of a circuit to make up the difference. This is not an impossible task, nor is it difficult, but is a mere technicality.

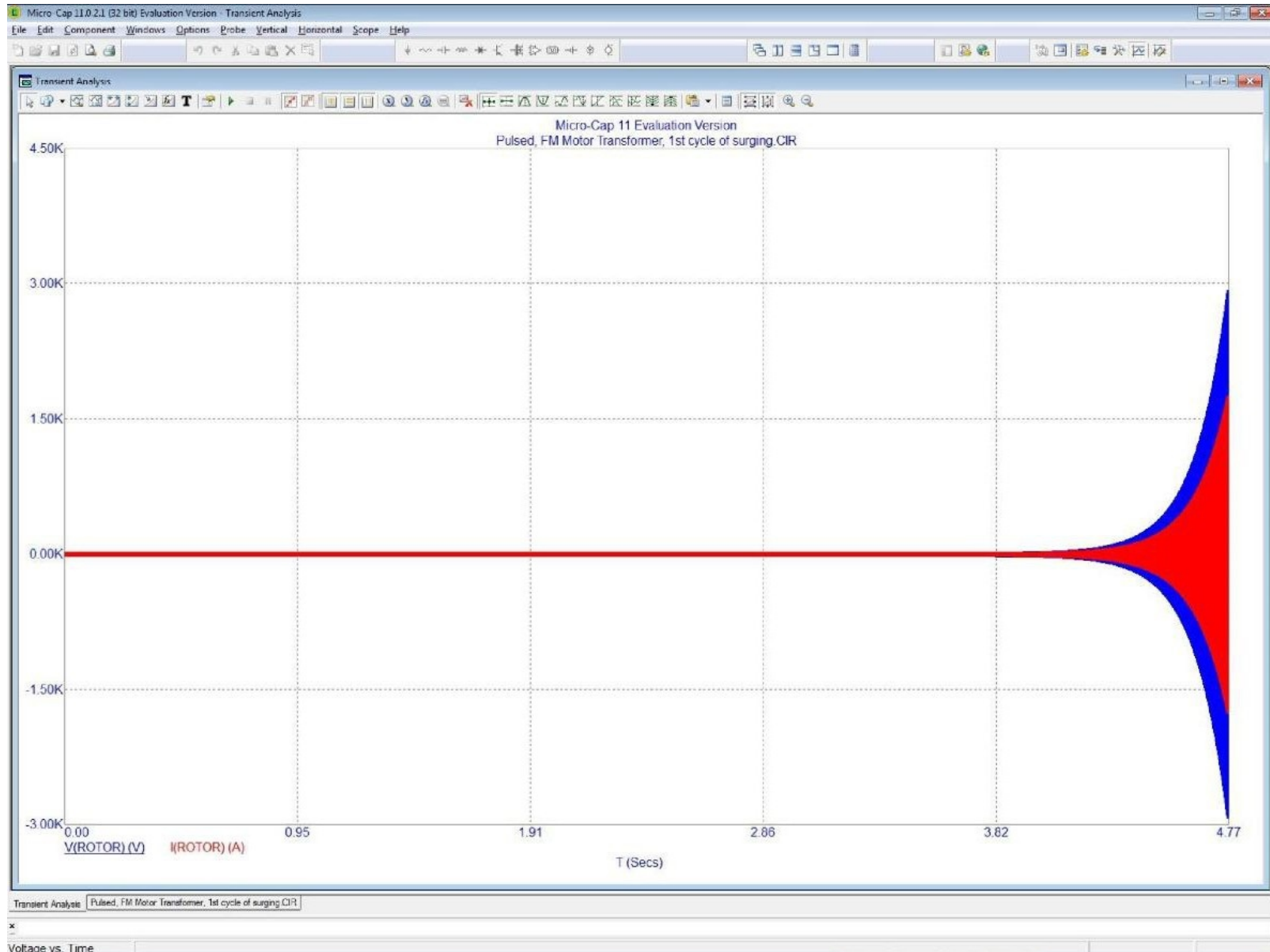
The benefit to going about energy usage within a circuit in a slightly more complicated manner – rather than a more straightforward fashion (such as the case involving a simple flashlight circuit) – is the benefit of liberating our appliances from the utility grid.

Developing a surge – also known as an electrical overload ...

... requires mutually coupling the main motor coils, **L1** and **L2** – etc, to a rotor using a mere 10% of coefficient.

Several factors enhance a surge including, but not limited to: adding more starter coils or raising the frequency allowed to enter this device. *Frequency equals potential energy.**

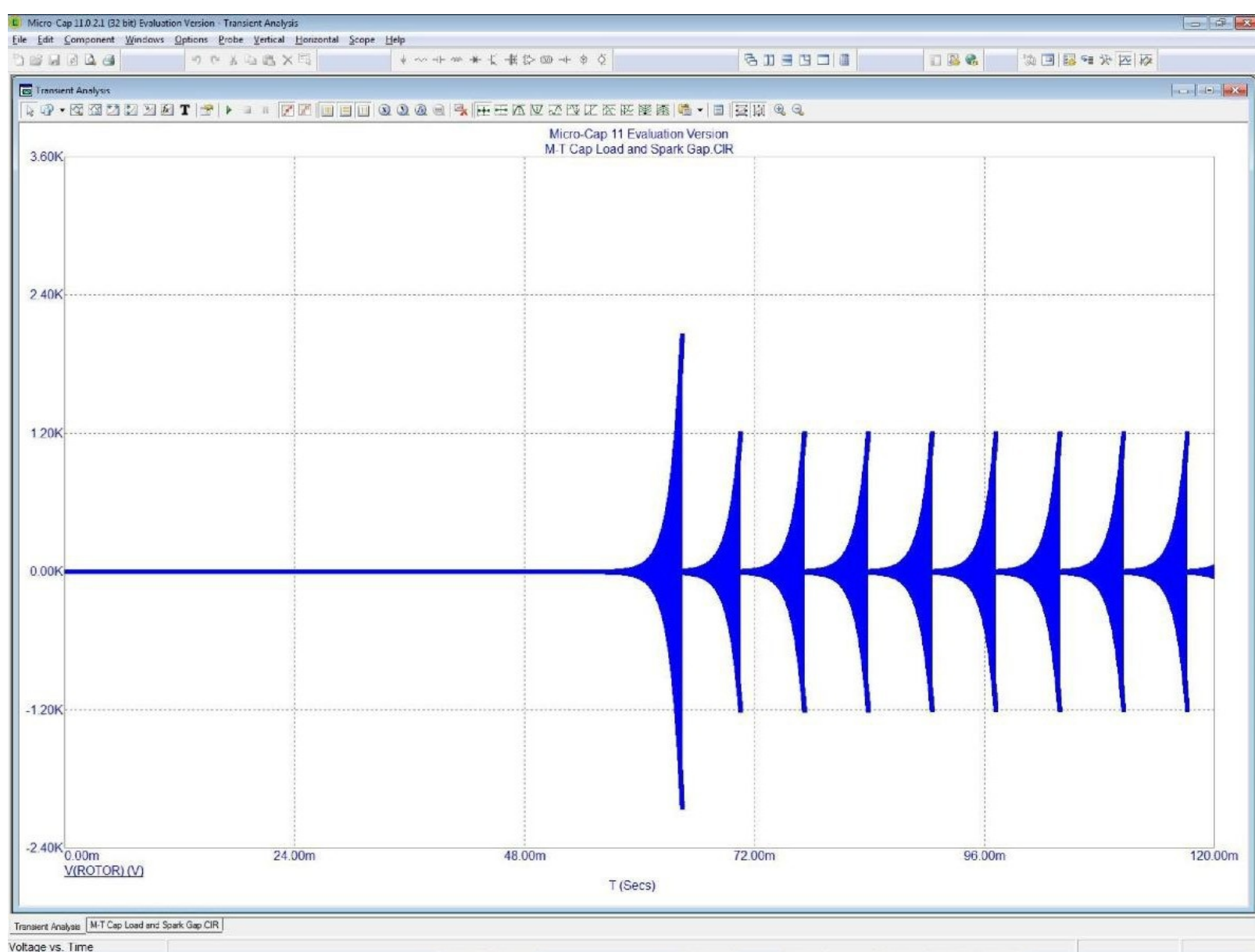
*https://en.wikipedia.org/wiki/Electromagnetic_spectrum#Range



Regulate electrical overloads by oscillating them ...

... with a spark gap. This also requires the use of a sine wave generator set to a moderate frequency, or a moderate frequency A/C generator. And the grounds nearby must be two, not one, to prevent spinning the motor out of control or draining the generator at a ridiculous rate of discharge! This is the problem would-be replicators of Nikola Tesla's A/C motors and generators had over a century ago when they were attempting to circumvent his patent by making their own version to avoid paying him royalties. Steinmetz solved this riddle with a [mathematical model](#) when General Electric [acquired him](#) (from a company merger) to break the Tesla A/C patents.

BTW, one of three papers Steinmetz was most proud of was his: "[Theory and calculation of transient electric phenomena and oscillations](#)". {[Direct download](#).}



Compensating a Torque Load

Additional resistance placed in a simulated circuit will replicate the effect of a conventional motor becoming a generator whenever operating under load conditions – especially whenever accelerating up a hill.

Standard motor technology gets around this problem by throwing massive voltage at its load, and at the motor coil's back EMF, which quickly drains the batteries of an electric car. Compare this to the micro-volts which enter my design for an efficient motor.

Increasing the input frequency (usually in the kilo-Hertz range) is the preferred method of increasing the output of this device. Enlarging and increasing the number of main motor coils, L1 and L2 (and continuing), is another way to accommodate the need for satisfying a greater demand made upon this circuit.

But that won't fix the problem. Jim Murray's Transforming Generator* shows a different likelihood in which this motor-transformer of mine will become its own generator should an external load get applied to it. This will speed up this device to its ultimate demise if its frequency is not brought down to compensate. Regulation of frequency in *real-time* is a must.

*<http://emediapress.com/jimmurray/tgen>

This demands a range of variable frequencies to feed this device.

Don't kill the battery's dipole.* Form a new one!

*Search for: [*Thomas Bearden don't kill the dipole*](#)

Returning unused current back to the battery at its other pole kills the voltage difference between its two terminals. It's no wonder the battery will be replaced or else recharged!

But what if we create another dipole in the body of our circuit – to replace the amp-hours supplied by a battery – and marry this to the intelligence of a high frequency, A/C source possessing very little voltage?

This, we do, by shifting the phase angle of current a full 180° out-of-phase with its voltage, or fully inverting it – I'm never sure which, and give two places where current can pile up segregated from voltage piling up elsewhere.

It'll look kind of funny watching current moving from an area of no voltage towards an area of high voltage. This is electricity traveling an equal displacement of both forwards and backwards in time by conventional standards. By my standards, this is negentropy: the recreation of the universe.

This will build up differences between two areas in a circuit and maintain them in an extreme condition: high-voltages will become high and remain that way – without much current – while low voltages will go to zero volts and exhibit high levels of current.

Now, we have a new dipole almost replacing a battery!

The only thing missing is the incentive – carried on a low voltage source – of a moderate frequency, sine wave to maximize the potential for infinite gain. This is resonance and a powerful tool to play around with.

When current dominates a condition of non-voltage on one side of a transformer – or between one set of motor coils versus another set wound upon the same armature – and voltage dominates current on the other set of transformer or motor coils, an artificial dipole is created leveraging negentropy and the reversal of time governing the flow of electricity.

Don't let this to happen to you.

Joseph Newman was screwed by the National Bureau of Standards when they tested his device.*

*<http://files.ncas.org/nbsreport/approach.html>

They actually admit on their website to having added a resistor in parallel with his massive coil. This resistor was a mere 100Ω – far less resistance than the resistance of the coil ($50k\Omega$ as measured by Dr. Hastings in chapter six* of Newman's book for the same size model). This created a current division between the coil and the additional load in which the current would prefer to travel the path of this lesser resistance rather than pass through the coil of greater resistance. This prevented voltage from building up in the coil which was a very important feature to Newman's circuit. This constitutes a short and an error whenever shorts are encountered where they don't belong.

*<https://archive.org/details/TheEnergyMachineOfJosephNewman8thEdition/page/n46>

His circuit was never electrically tested – only theirs was. This nullified their tests.

Mechanical testing is a different matter. A mechanical load test doesn't infringe upon the electrical resonance often required of an overunity circuit. It can only infringe upon the mechanical resonance of an overunity device if there are any resonances of a mechanical variety required of that device.

The vulnerability of our utility grid to failure is **very** real.

*Because of the inevitability of a large solar superstorm, we have to accept the fact that the current electric power grid upon which our lives depend is only a **temporary** infrastructure. This temporary infrastructure has served us very well, and we now have entrusted our very lives to it. Of course, it is possible to build a resilient electrical grid. In most countries, such as the United States, though, the will to make the electric grid resilient has been absent.*

The fact that the electric power grid began as a convenience, but has become a necessity for sustaining life, is both one of the most beneficial, and one of the most dangerous, facts of 21st century existence.

We do not know how long the current power grid will last; but if it [is] not replaced by a robust permanent infrastructure in time, hundreds of millions of people will die when the electric power grid collapses simultaneously in many countries. How such a collapse occurs is very well known, and the methods to either prevent it, or to have spare transformers in place to fairly quickly repair it, are also well known. Although these preventive measures would not be terribly expensive, they would take some time to put into place; and those things have never been done.

*Electromagnetic Pulse Protection, by Jerry Emanuelson, B.S.E.E.**

**<http://www.futurescience.com/emp/emp-protection.html>*

The situation is worsened by the outright sabotage of the grid.

*THE ELECTRICAL UTILITY IN A DIGITAL AGE ENGINEERING REPORT NVE-1**

**<http://ericpdollard.com/2018/10/06/the-electrical-utility-in-a-digital-age-engineering-report-nve-1/>*

*“The Grid Is Being Degraded And It Has Become An Antenna To Amplify The Damage Done By An EMP! This Is One Of The Most Disruptive Presentations Ever Delivered By Eric Dollard. Correcting These Dangerous Practices Is A Matter Of National Security.”**

**<http://emediapress.com/ericdollard/utility/>*

*We’re shockingly unprepared for an extreme weather event that could fry Earth’s power grid.**

**<https://www.businessinsider.com/solar-storm-effects-electronics-energy-grid-2016-3>*

Glossary of Useful Terms

“Free energy nonsense” translates into “[military-industrial complex](#)” – The latter term was coined by Eisenhower during his [farewell speech](#) indicating a cartel between government and business giving them advantages operating as a monopoly of vested interests. They supersede: the media, our educational institutions, the Patent Office, the National Security Agency, and every aspect of our lives confiscating our freedom to make educated choices. For without accurate knowledge, decisions are limited to confusion and ignorance. Free energy is highly classified, proprietary property of the United States Military and the manufacturing firms which feed it.

Dwight D. Eisenhower

Farewell Address

delivered 17 January 1961



Your eBookreader does not support the audio element.

[Audio mp3 of Address](#)

Transcript of Eisenhower's Farewell Address – 1961

Good evening, my fellow Americans.

First, I should like to express my gratitude to the radio and television networks for the opportunities they have given me over the years to bring reports and messages to our nation. My special thanks go to them for the opportunity of addressing you this evening.

Three days from now, after half a century in the service of our country, I shall lay down the responsibilities of office as, in traditional and solemn ceremony, the authority of the Presidency is vested in my successor.

This evening I come to you with a message of leave-taking and farewell, and to share a few final thoughts with you, my countrymen.

Like every other — Like every other citizen, I wish the new President, and all who will labor with him, Godspeed. I pray that the coming years will be blessed with peace and prosperity for all.

I

Our people expect their President and the Congress to find essential agreement on issues of great moment, the wise resolution of which will better shape the future of the Nation.

My own relations with the Congress, which began on a remote and tenuous basis when, long ago, a member of the Senate appointed me to West Point, have since ranged to the intimate during the war and immediate post-war period, and, finally, to the mutually interdependent during these past eight years.

In this final relationship, the Congress and the Administration have, on most vital issues, cooperated well, to serve the nation — the nation [national] good rather than mere partisanship, and so have assured that the business of the Nation should go forward. So, my official relationship with the Congress ends in a feeling, on my part, of gratitude that we have been able to do so much together.

II

We now stand ten years past the midpoint of a century that has witnessed four major wars among great nations. Three of these involved our own country. Despite these holocausts America is today the strongest, the most influential and most productive nation in the world. Understandably proud of this pre-eminence, we yet realize that America's leadership and prestige depend, not merely upon our unmatched material progress, riches and military strength, but on how we use our power in the interests of world peace and human betterment.

III

Throughout America's adventure in free government, our basic purposes have been to keep the peace; to foster progress in human achievement, and to enhance liberty, dignity and integrity among peoples and among nations. To strive for less would be unworthy of a free and religious people. Any failure traceable to arrogance, or our lack of comprehension or readiness to sacrifice would inflict upon us grievous hurt both at home and abroad.

Progress toward these noble goals is persistently threatened by the conflict now engulfing the world. It commands our whole attention, absorbs our very beings. We face a hostile ideology — global in scope, atheistic in character, ruthless in purpose, and insidious in method. Unhappily the danger it poses promises to be of indefinite duration. To meet it successfully, there is called for, not so much the

emotional and transitory sacrifices of crisis, but rather those which enable us to carry forward steadily, surely, and without complaint the burdens of a prolonged and complex struggle – with liberty the stake. Only thus shall we remain, despite every provocation, on our chartered course toward permanent peace and human betterment.

Crises there will continue to be. In meeting them, whether foreign or domestic, great or small, there is a recurring temptation to feel that some spectacular and costly action could become the miraculous solution to all current difficulties. A huge increase in newer elements of our defenses; development of unrealistic programs to cure every ill in agriculture; a dramatic expansion in basic and applied research – these and many other possibilities, each possibly promising in itself, may be suggested as the only way to the road we wish to travel.

But each proposal must be weighed in the light of a broader consideration: the need to maintain balance in and among national programs, balance between the private and the public economy, balance between the cost and hoped for advantages, balance between the clearly necessary and the comfortably desirable, balance between our essential requirements as a nation and the duties imposed by the nation upon the individual, balance between actions of the moment and the national welfare of the future. Good judgment seeks balance and progress. Lack of it eventually finds imbalance and frustration.

The record of many decades stands as proof that our people and their government have, in the main, understood these truths and have responded to them well, in the face of threat and stress. But threats, new in kind or degree, constantly arise. Of these, I mention two only.

IV

A vital element in keeping the peace is our military establishment. Our arms must be mighty, ready for instant action, so that no potential aggressor may be tempted to risk his own destruction.

Our military organization today bears little relation to that known of any of my predecessors in peace time, or indeed by the fighting men of World War II or Korea.

Until the latest of our world conflicts, the United States had no armaments industry. American makers of plowshares could, with time and as required, make swords as well. But we can no longer risk emergency improvisation of national defense; we have been compelled to create a permanent armaments industry of vast proportions. Added to this, three and a half million men and women are directly engaged in the defense establishment. We annually spend on military security, alone, more than the net income of all United States cooperations — corporations.

Now this conjunction of an immense military establishment and a large arms industry is new in the American experience. The total influence – economic, political, even spiritual – is felt in every city, every state house, every office of the Federal government. We recognize the imperative need for this development. Yet we must not fail to comprehend its grave implications. Our toil, resources and livelihood are all involved; so is the very structure of our society.

In the councils of government, we must guard — guard against the acquisition of unwarranted influence, whether sought or unsought, by the military-industrial complex. The potential for the disastrous rise of misplaced power exists and will persist.

We must never let the weight of this combination endanger our liberties or democratic processes. We should take nothing for granted only an alert and knowledgeable citizenry can compel the proper meshing of the huge industrial and military machinery of defense with our peaceful methods and goals, so that security and liberty may prosper together.

Akin to, and largely responsible for the sweeping changes in our industrial-military posture, has been

the technological revolution during recent decades.

In this revolution, research has become central; it also becomes more formalized, complex, and costly. A steadily increasing share is conducted for, by, or at the direction of, the Federal government.

Today, the solitary inventor, tinkering in his shop, has been overshadowed by task forces of scientists in laboratories and testing fields. In the same fashion, the free university — historically the fountainhead of free ideas and scientific discovery, has experienced a revolution in the conduct of research. Partly because of the huge costs involved, a government contract becomes virtually a substitute for intellectual curiosity. For every old blackboard there are now hundreds of new electronic computers.

The prospect of domination of the nation's scholars by Federal employment, project allocations, and the power of money is ever present and is gravely to be regarded.

Yet, in holding scientific research and discovery in respect, as we should, we must also be alert to the equal and opposite danger that public policy could itself become the captive of a scientific-technological elite.

It is the task of statesmanship to mold, to balance, and to integrate these and other forces, new and old, within the principles of our democratic system — ever aiming toward the supreme goals of our free society.

V

Another factor in maintaining balance involves the element of time. As we peer into society's future, we — you and I, and our government — must avoid the impulse to live only for today, plundering, for our own ease and convenience, the precious resources of tomorrow. We cannot mortgage the material assets of our grandchildren without risking the loss also of their political and spiritual heritage. We want democracy to survive for all generations to come, not to become the insolvent phantom of tomorrow.

VI

During the long lane of the history yet to be written America knows that this world of ours, ever growing smaller, must avoid becoming a community of dreadful fear and hate, and be, instead, a proud confederation of mutual trust and respect.

Such a confederation must be one of equals. The weakest must come to the conference table with the same confidence as do we, protected as we are by our moral, economic, and military strength. That table, though scarred by many past frustrations — past frustrations, cannot be abandoned for the certain agony of disarmament — of the battlefield.

Disarmament, with mutual honor and confidence, is a continuing imperative. Together we must learn how to compose differences, not with arms, but with intellect and decent purpose. Because this need is so sharp and apparent I confess that I lay down my official responsibilities in this field with a definite sense of disappointment. As one who has witnessed the horror and the lingering sadness of war — as one who knows that another war could utterly destroy this civilization which has been so slowly and painfully built over thousands of years — I wish I could say tonight that a lasting peace is in sight.

Happily, I can say that war has been avoided. Steady progress toward our ultimate goal has been made. But, so much remains to be done. As a private citizen, I shall never cease to do what little I can to help the world advance along that road.

VII

So — in this my last good night to you as your President — I thank you for the many opportunities you have given me for public service in war and in peace. I trust in that — in that — in that service you find

some things worthy; as for the rest of it, I know you will find ways to improve performance in the future.

You and I – my fellow citizens – need to be strong in our faith that all nations, under God, will reach the goal of peace with justice. May we be ever unswerving in devotion to principle, confident but humble with power, diligent in pursuit of the Nation's great goals.

To all the peoples of the world, I once more give expression to America's prayerful and continuing aspiration: We pray that peoples of all faiths, all races, all nations, may have their great human needs satisfied; that those now denied opportunity shall come to enjoy it to the full; that all who yearn for freedom may experience its full spiritual blessings. Those who have freedom will understand, also, its heavy responsibility; that all who are insensitive to the needs of others will learn charity; and that the scourges — scourges of poverty, disease and ignorance will be made [to] disappear from the earth, and that, in the goodness of time, all peoples will come to live together in a peace guaranteed by the binding force of mutual respect and love.

Now, on Friday noon, I am to become a private citizen. I am proud to do so. I look forward to it.

Thank you, and good night.

What material should the armature of the motor be made of?

It is claimed by “those in the know” that simulators can’t be trusted (all the time) for the simple reason that modern transformers and motor coils cannot pass D/C in the real world despite their ability to pass D/C within the virtual world of the simulator. Yet, anyone who has played around with Edward Leedskalnin’s Perpetual Motion Holder will know that D/C *can* be passed and [stored indefinitely](#) provided the core material has a [high remanence](#) made of hard steel. This knowledge is found on text page 38 (PDF page 50) of Edward Leedskalnin’s book, entitled: [Magnetic Currents](#).

Motors and transformers, nowadays, are made of [electrical steel](#) intended to thwart the circulation of eddy currents. This material, we don’t want, in these simulated circuits. For we want magnetic currents to reside within the core material of a shorted motor’s armature (coupling the main motor coils, L1 through L5+, with the starter coils, SC1 through SC3+) and remain there to develop transients. This is considered to be very inefficient, yet transients are freely available. So, why not be wasteful!?

Before you start experimenting with my circuits, please go on [YouTube](#) and look for videos of [Perpetual Motion Holders](#), or its acronym: PMH. And make sure you construct the armature for my circuits out of material which is also suitable for PMH experiments.

BTW, Ed built a stone structure outside of Miami, Florida, called: “[Coral Castle](#)”.

Screenshots of schematics suggesting overunity in an electric vehicle.

The Table Model for Testing, in the [beginning pages of this book](#), was adapted for a low output, ice cream machine, A/C induction motor. It had a lot of hazards not the least of which was stalling when attempting to deliver such a low output. That's why it needed a few safeguards, such as: a voltage divider at the input and a capacitor in parallel with the spark gap to stabilize the firing of its arcs as a steady stream of pulses. The capacitor fed by the full bridge rectifier of four diodes may still need to have its terminals (connecting itself to the circuit) swapped from time to time even when this circuit is intended to almost-effectively power a much larger load, such as: an electric vehicle whose schematic and output tracings are shown on the following pages. This circuit needs a moderate frequency to engage the spark gap – acting as a solid-state substitution for mechanical relays – to control surges from getting out of hand and cooking, or worse: exploding, this device. Follow safe procedures for working with high voltages (accumulating in this circuit) and microwave radiation (emanating out of the spark gap). Who knows... You may be the first to understand the inner-workings of an EV that may never need to be plugged into the utility grid!

{But you'll still need to read further into this book for how to implement this technique in any practical sense.}

Frequency Modulated, Pulsed AC Motor Transformer with Capacitive Load and Spark Gap

The full bridge rectifier feeding a capacitive load produces a surge towards infinite oblivion. The addition of a spark gap regulates these surges into a variable pulse amplifiable by raising the frequency of the High Frequency A/C Generator. Another way to raise the output is by increasing the self-induction of the main motor coils, L1 and L2, or by adding more starter coils in parallel with SC1 and SC2, or varying the equivalent series resistance of capacitor, C1, to as low as 1 micro ohm (any further doesn't help) by varying pressure applied to its dielectric contact and its two terminal plates. This will have the affect of increasing the capacitor's reactance. {Just as pressure affects piezo-electric quartz crystals, so too does pressure affect the dielectric of capacitors in general.} 65.7k watts is the rotor's output (after one second of simulation) versus 112 pico watts input (through the AC generator) giving a coeff. of perf. of 547.5 Tera to 1 ratio (equivalent to $547.5e+15 : 1$). The capacitor, C1, can be self-shortened when this device is shut down and its connections may have to be swapped from time to time to prevent losing control of the overunity surge. Sine wave generator is 50k Hz. Whatever was Tesla's Pierce-Arrow demonstration of 1931, this is my attempt to recreate its principle concept. The rotor can be magnetically coupled to both sets of coils, L1 and L2, and SC1 and SC2, at the same time due to "I don't know why, but it works when done this way!" Otherwise, the rotor must be coupled to each pair at alternate times, or else paired to a single set all the time and shielded from the other pair all of the time. By pulsing an off-the-shelf induction motor, and by rewiring its starter coils to include them (connect them) to the motor's wiring, it may be possible to keep the cost down to a mere retrofit.

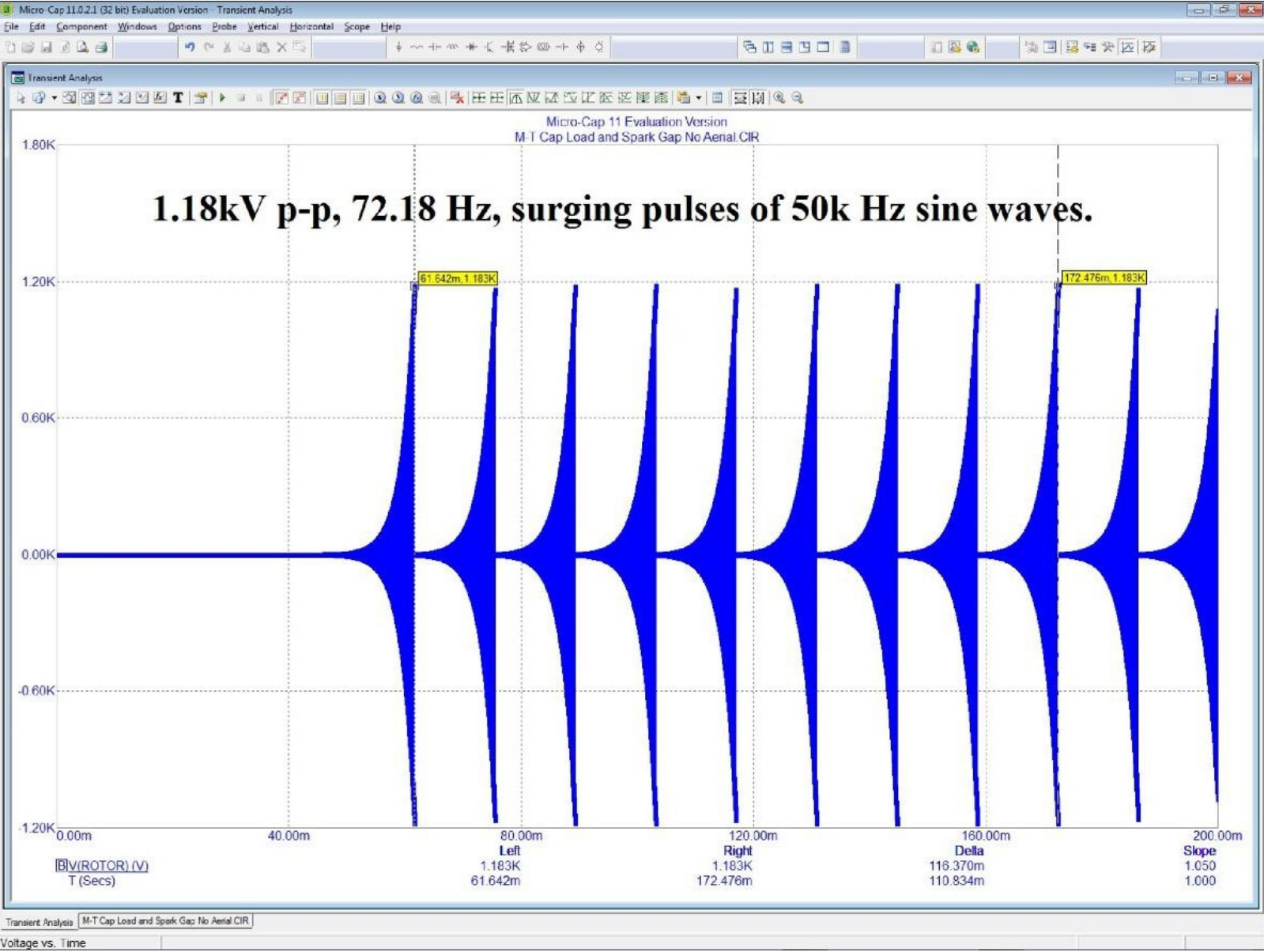
All five coils have an equivalent series resistance three times their self-induction. So, SC1 and SC2 have an equivalent series resistance of 300 nano ohms, each, while L1 and L2 have 300 ohms, each, and the rotor coil has 900 nano ohms of internal series resistance apart from its external resistance of 1.67 ohms (probably within the rotor's laminated plates). The capacitor, C1, has 10 milli ohms of equivalent series resistance.

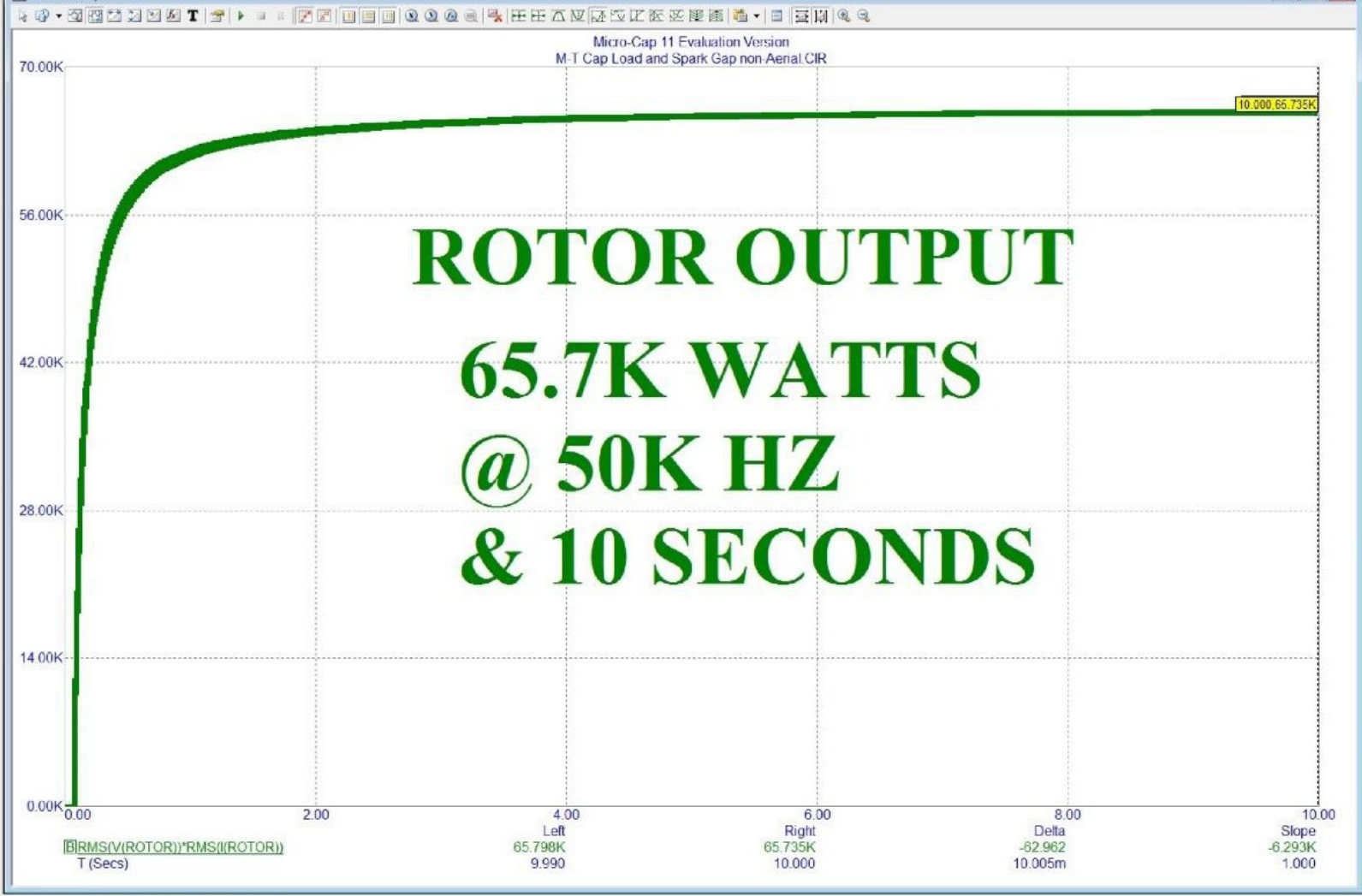
Jim Murray's Transforming Generator is similar ... <http://emediapress.com/jimmurray/tgen>
Compare with the Edwin Gray pulse motor ...
US patent 3,890,548 - 2 Nov 1973

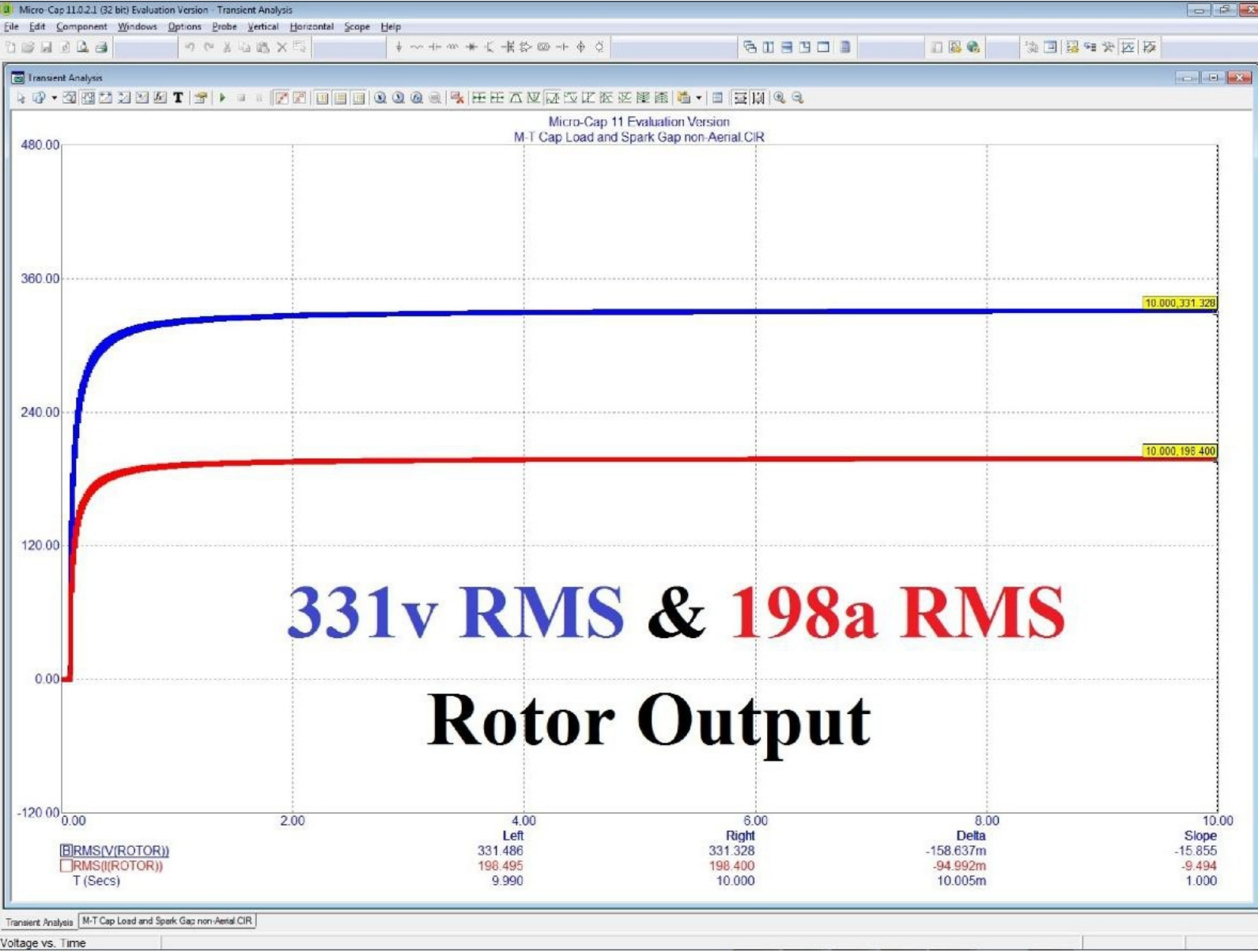
Frequencies above 22k to 24k Hz will produce abundant overunity and dangerously high voltages!

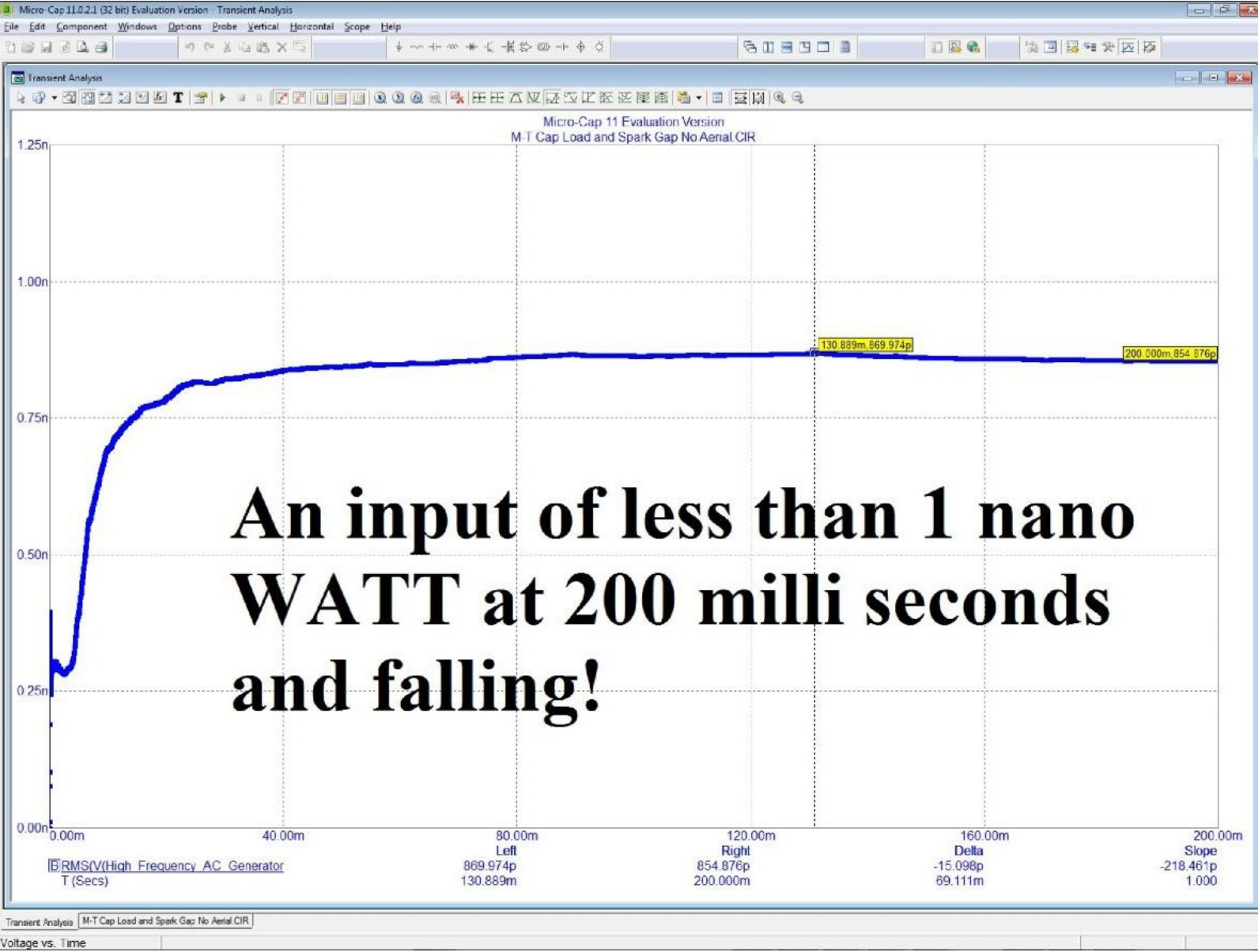
A miniature A/C generator could put out 50k Hz at 3V while rotated by a set of gear ratios stepped up from a miniature D/C motor fed 9V from a solar cell. Even if the D/C motor can't spin faster than 900 RPM, a mere 1,667 to one gear ratio would be needed for the generator to spin at 50k Hz. Or, we could use the high frequency A/C generation method of either Tesla (US 447,921 - 10 March 1891) or Alexanderson, respectively, incorporating grooves on the surface of, or teeth (constituting poles) at the edge of, a disc. Or, a sine wave generator running off a 9V rechargeable battery! Meanwhile, the surges are pulsing at just under 72 Hz (71.78 Hz). And each of the two main motor coils, L1 and L2, weighs ~1.875 pounds of copper wire putting their combined weight at 3.75 lbs.

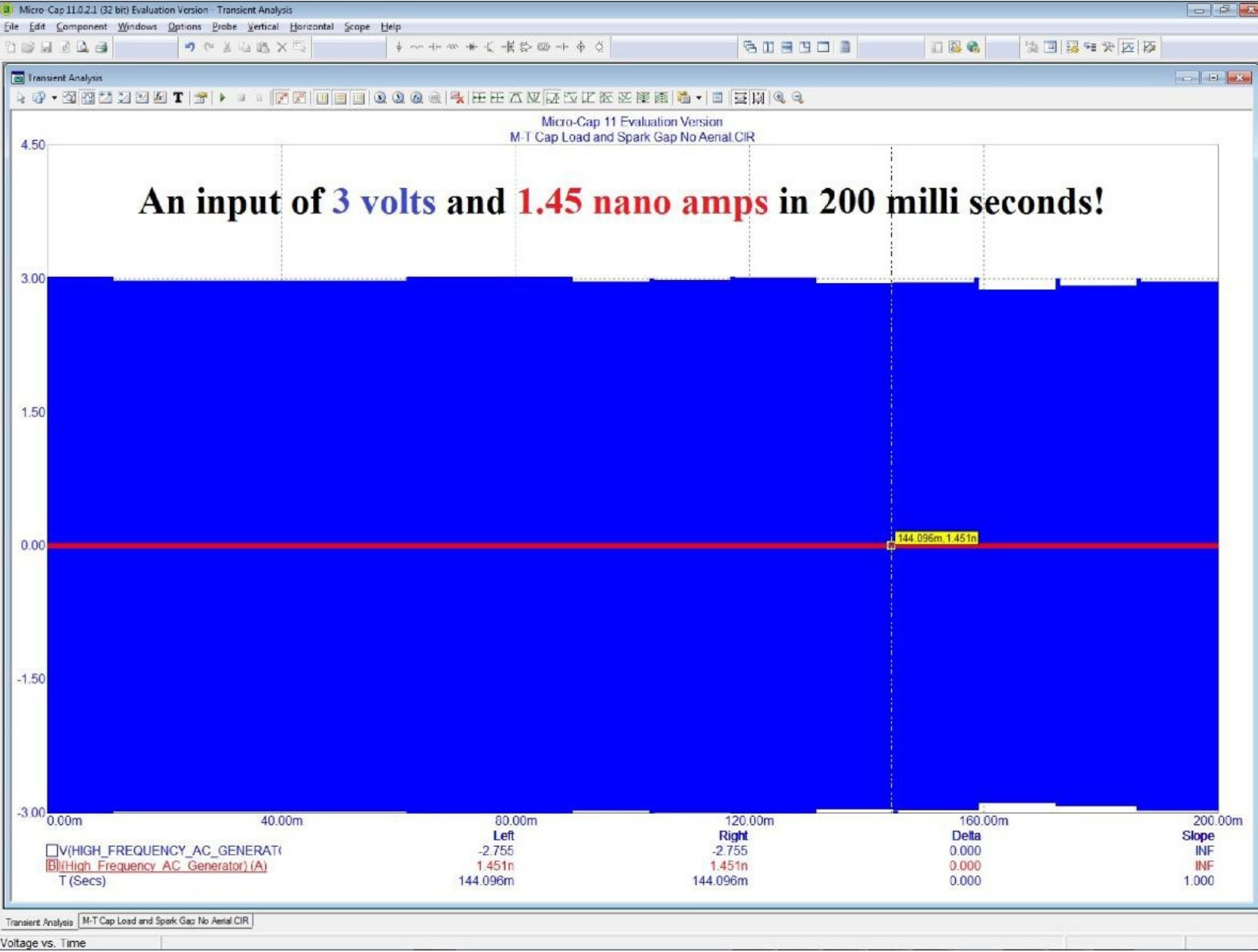
The upper boundary for mutually coupling each starter coil to the rotor is 100ppm, or 1/10 ‰ (1e-4). This means that the minimum self-inductive ratio between the main motor coils, L1 and L2, and the starter coils, SC1 and SC2, needs to be around 10k:1. Since the main motor coils are 100 Henrys, then the starter coils cannot be greater than 10 milli Henrys. I did my testing by factors of ten. I began to lose overunity when the ratio of self-induction became 1k:1. So, somewhere between 1k:1 and 10k:1 is the upper boundary.







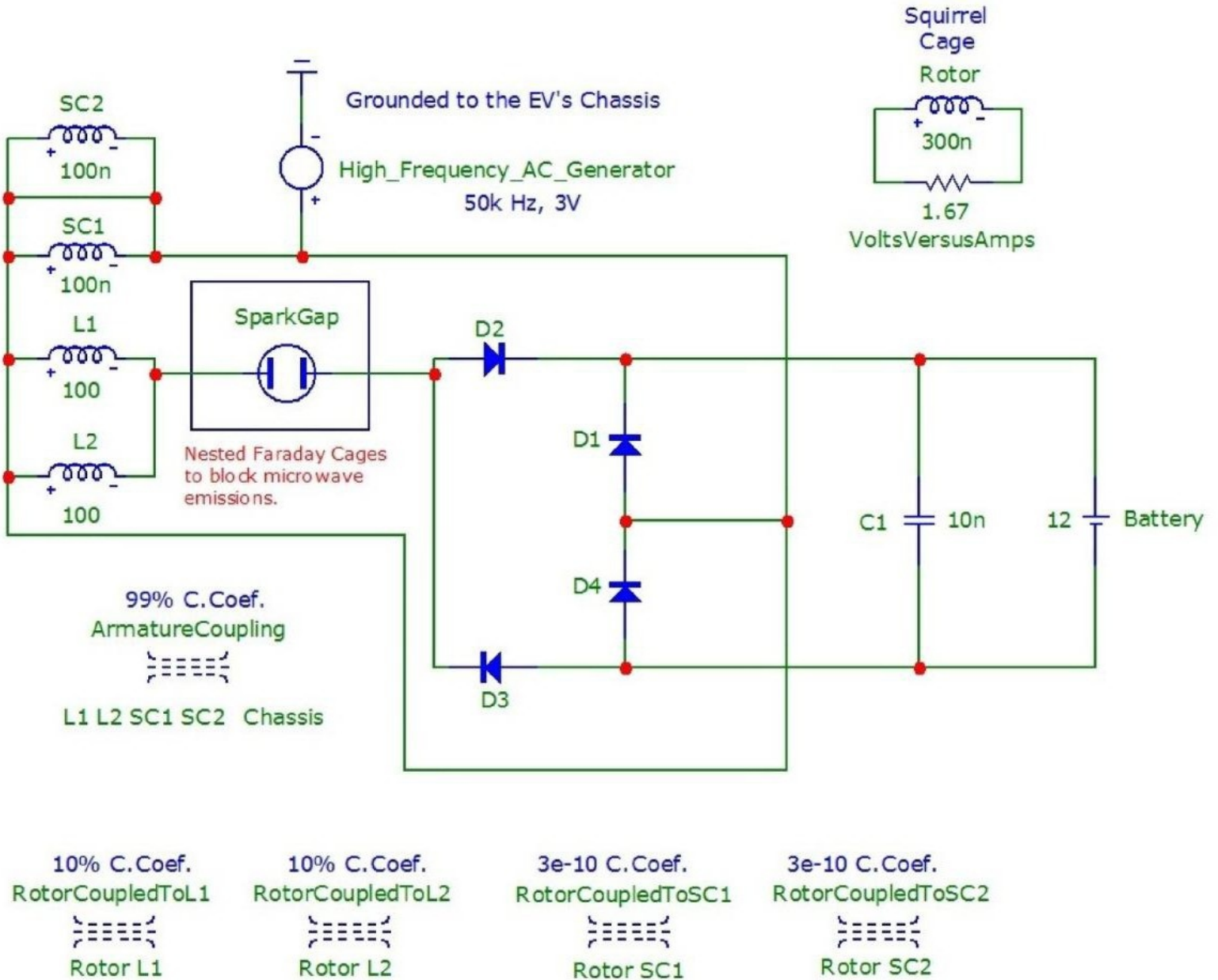


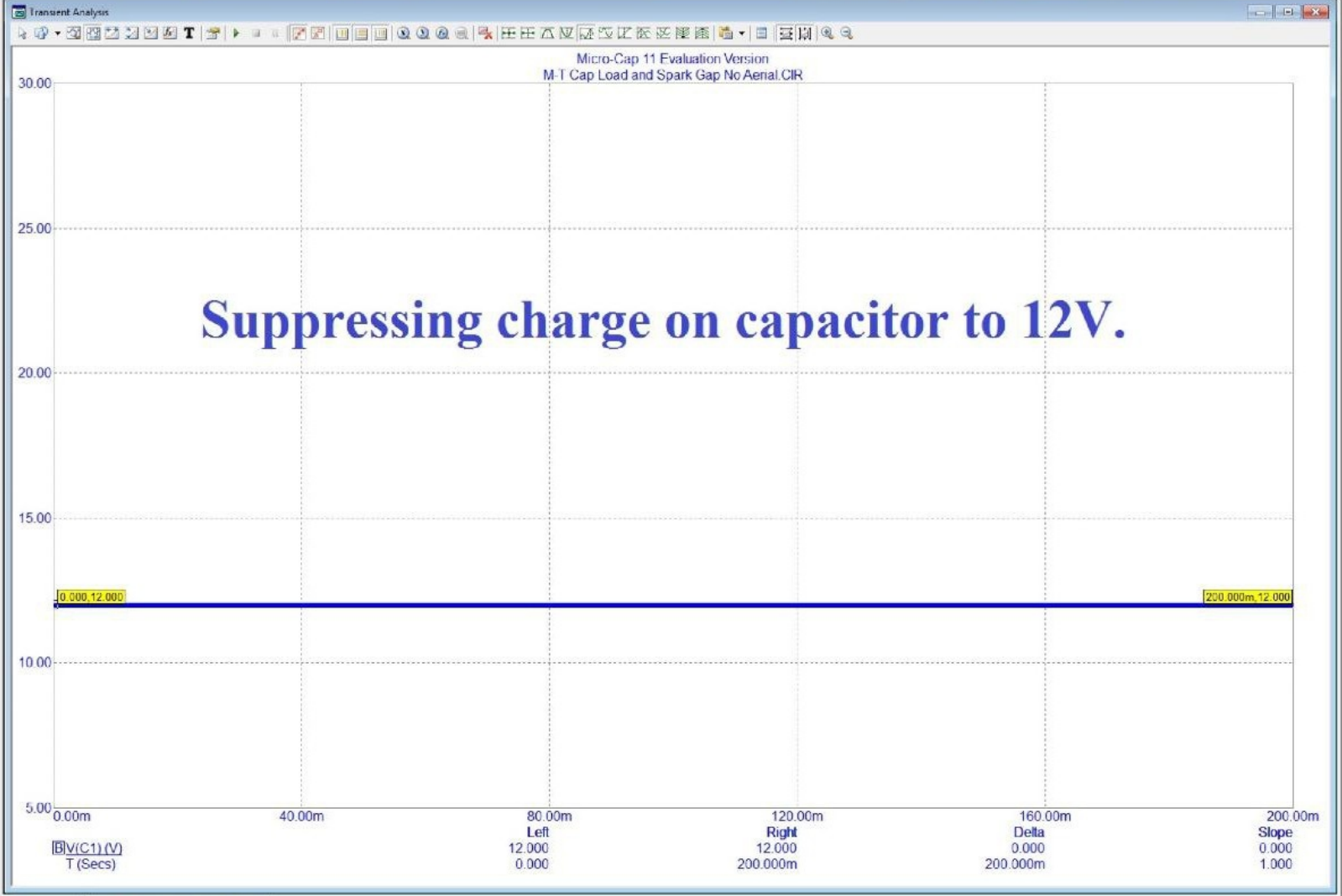


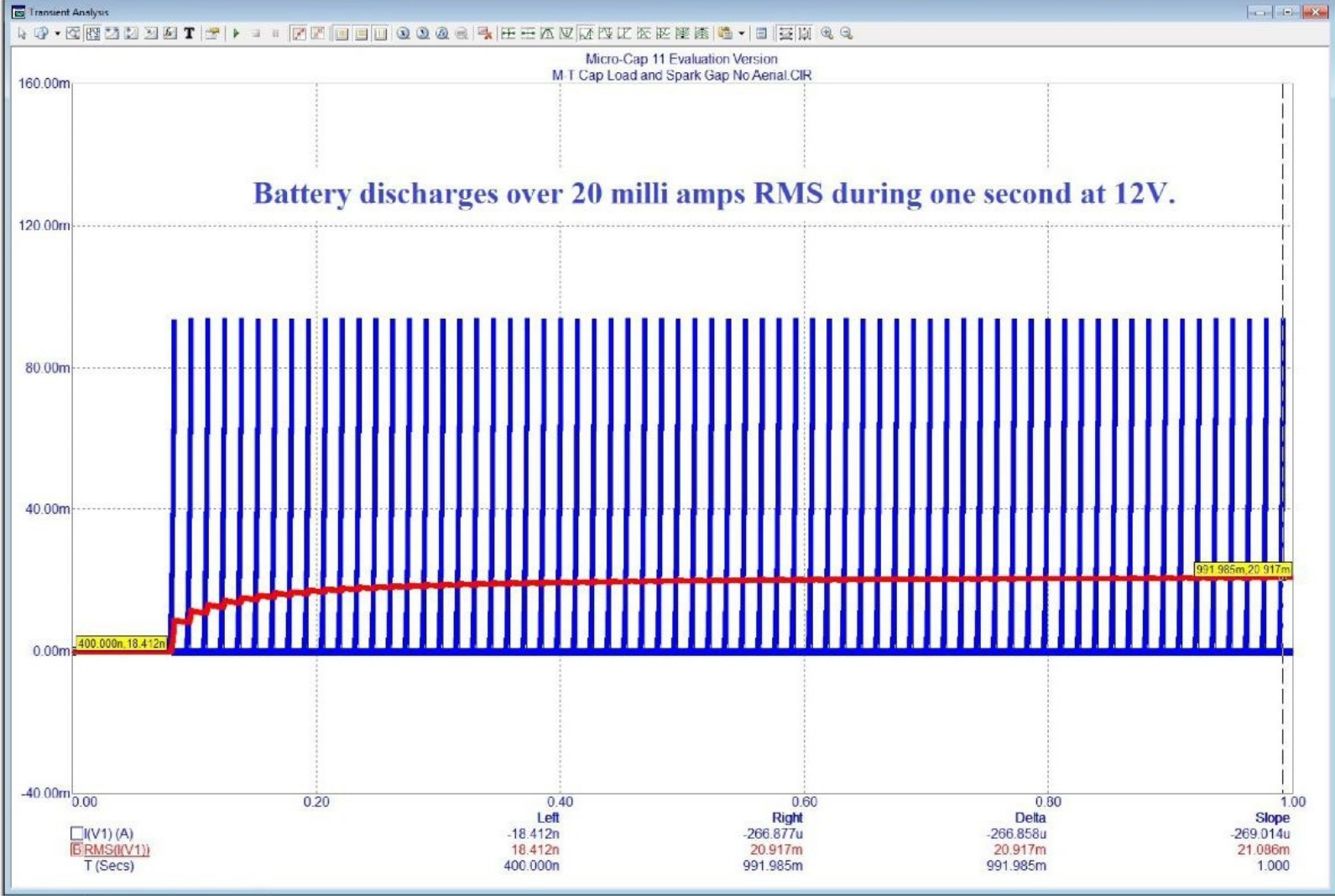
Voltage vs. Time

Adding a battery to reduce the voltage on the DC capacitor.

When a 12 volt battery is added in parallel with the capacitor, the charge on the capacitor is reduced to the level of voltage on the battery. Otherwise, the capacitor would have risen to over 100 volts. Without the battery, there is an additional risk of the circuit losing its stability and turning into a runaway surge. The cost, or rate of discharge, of the battery is about 20 to 30 milli amps RMS.

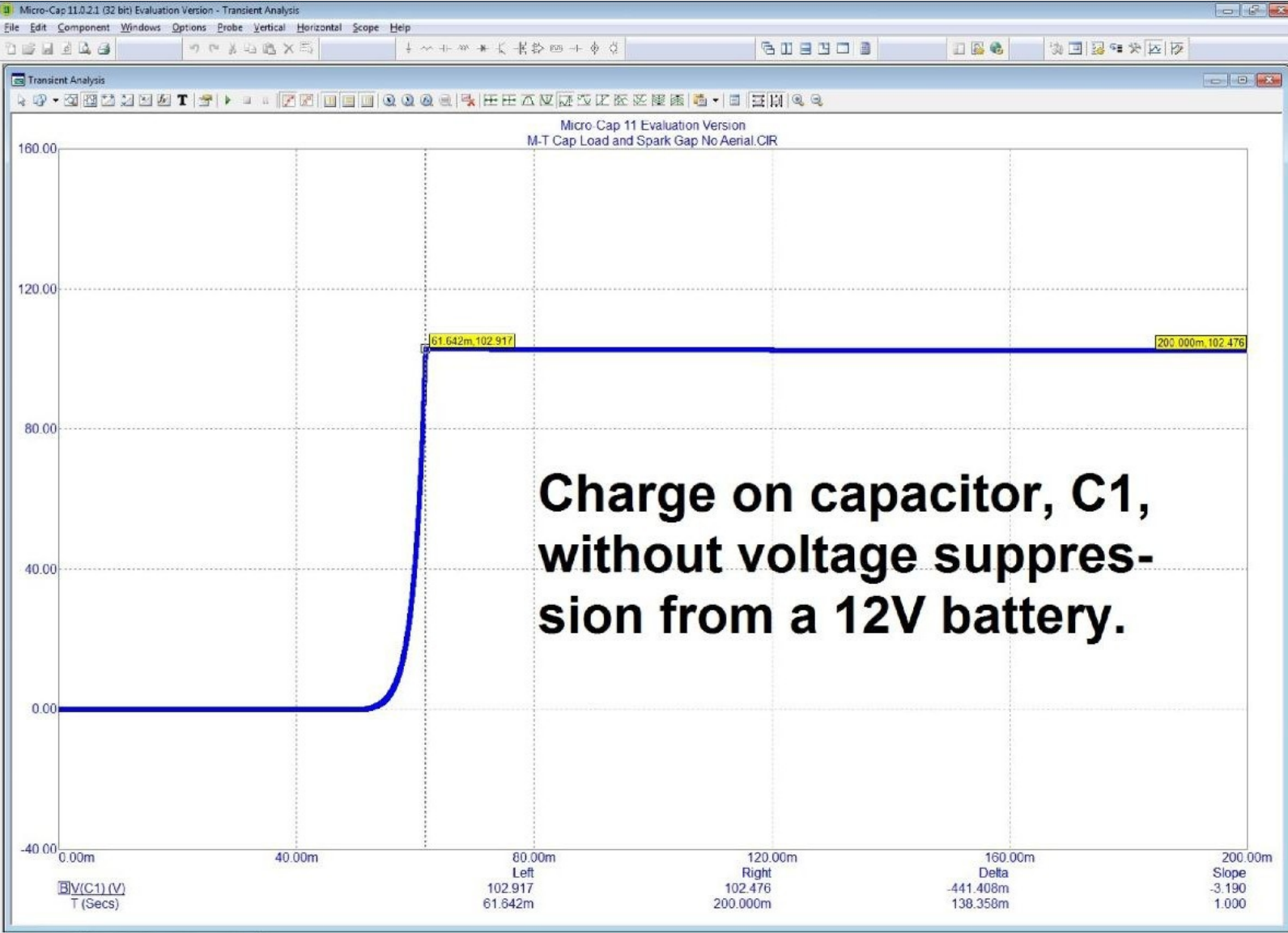






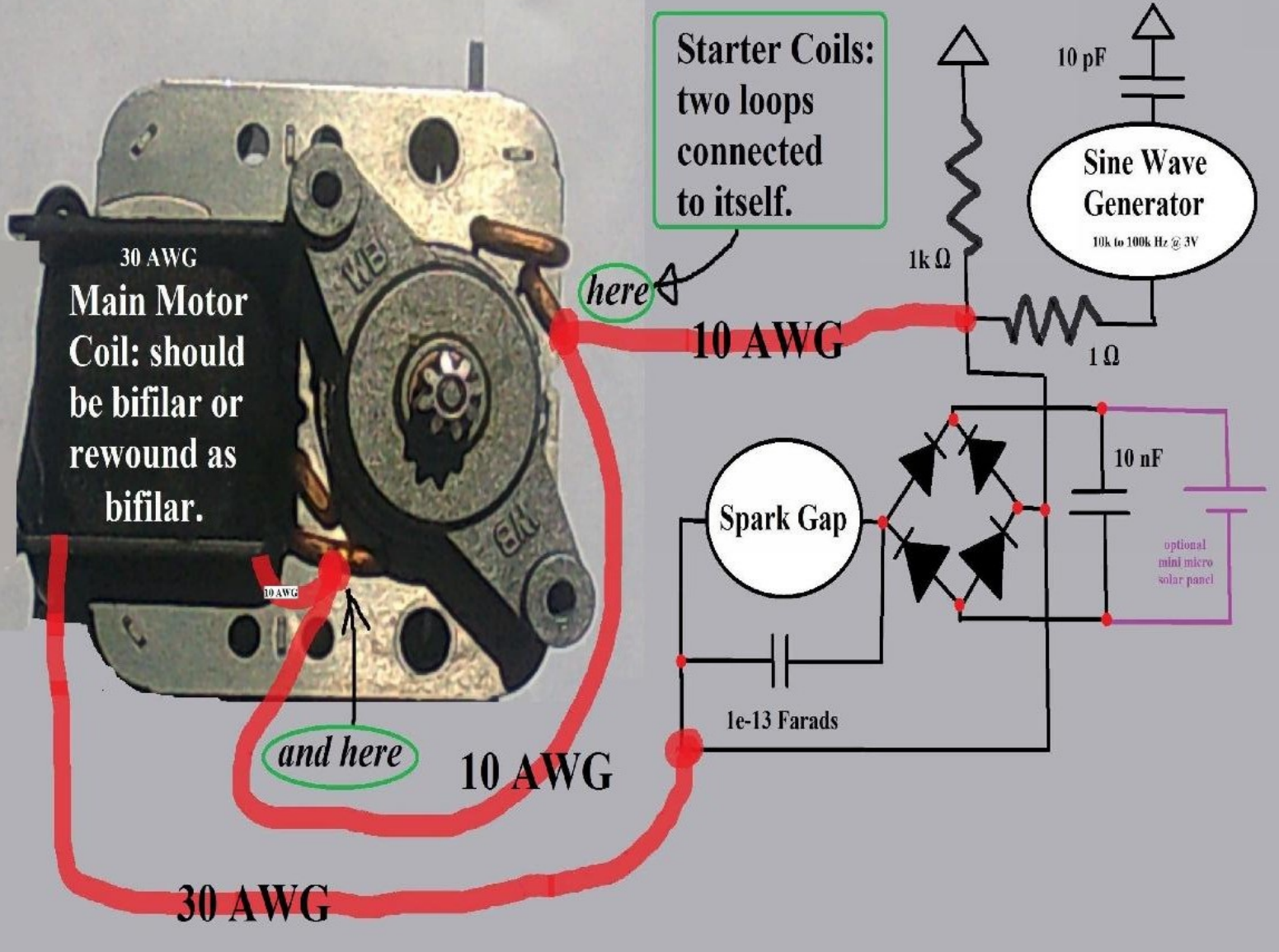
Transient Analysis M-T Cap Load and Spark Gap No Aerial.CIR

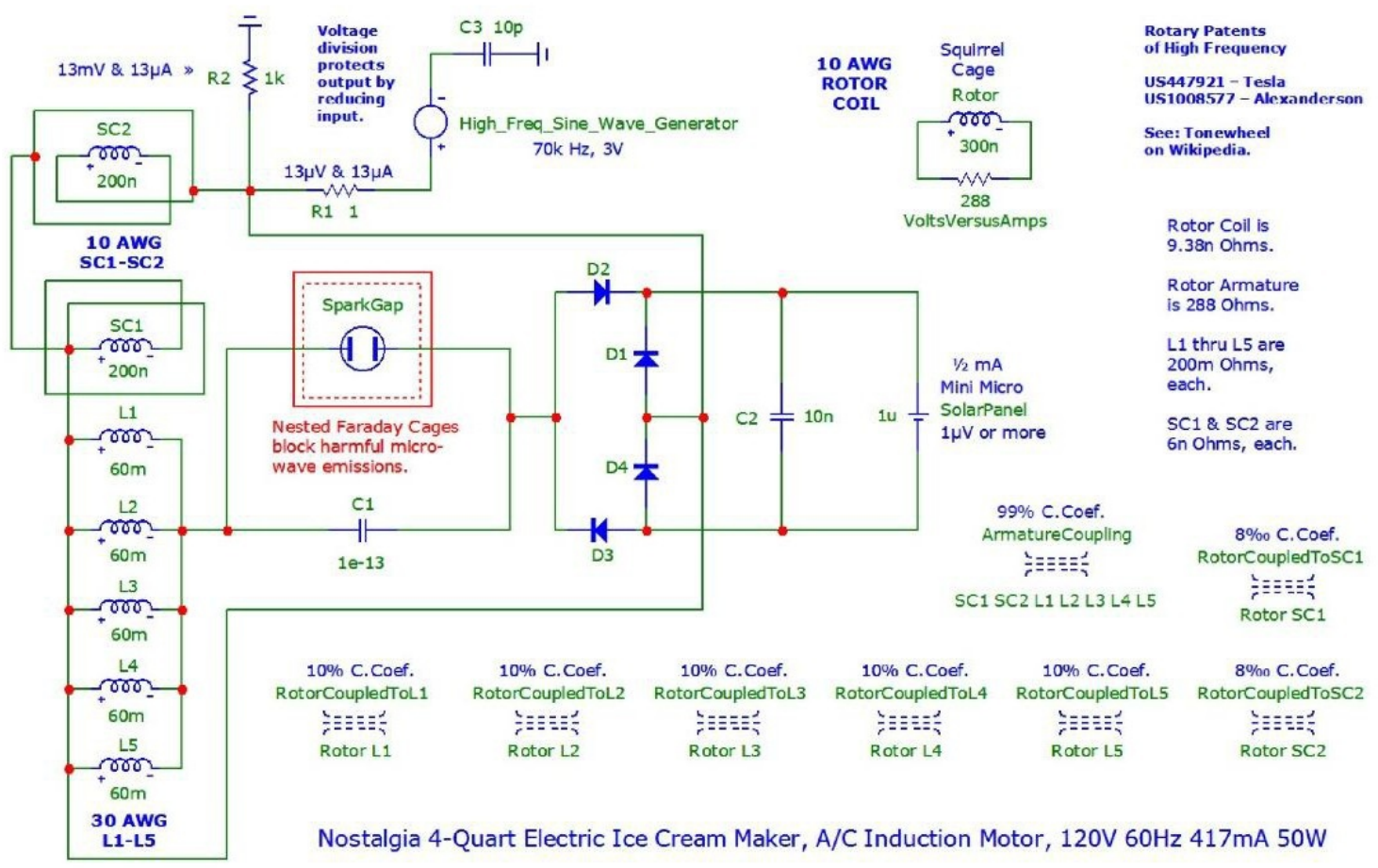
Voltage vs. Time

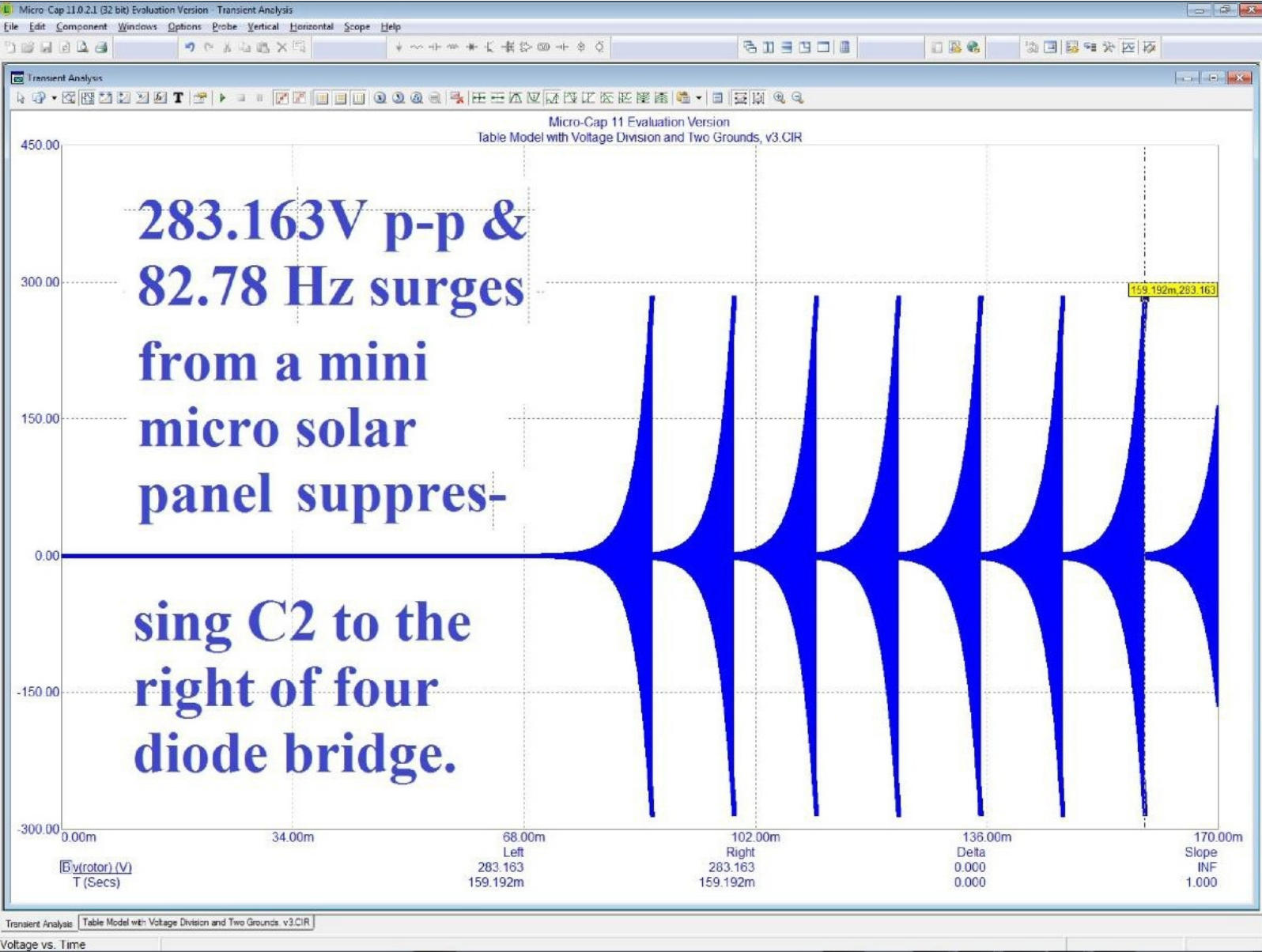


Transient Analysis | M-T Cap Load and Spark Gap No Aerial CIR

Voltage vs. Time







You'll need three 12V batteries to run this circuit: one battery will drive the sine wave generator, the second battery will regulate the voltage on the capacitor, C1, while the third battery will be undergoing recharging while the other two batteries are in use. Every time the circuit is restarted, the batteries should first be rotated.

Download the Simulation Files

<http://vinyasi.info/energy/Micro-Cap-Simulation-Files.zip>

<http://a.co/dyRPVpC> – More in-depth theory of the mechanics of “free energy” – Kindle edition.

Spanish Translations of This Book

[*Ampliación de la Gama de Vehículos Eléctricos al Maximizar sus Horas-Amperio: Los transitorios eléctricos son una fuente renovable de energía libre de contaminación*](#), abril 30, 2019 – Kindle edition.

[*Ampliación de la Gama de Vehículos Eléctricos al Maximizar sus Horas-Amperio: Los transitorios eléctricos son una fuente renovable de energía libre de contaminación*](#), abril 30, 2019 – paperback, color.

References not already cited in this presentation.

Nikola Tesla, patent # [US 577,671](#) - manufacture of electrical coils and condensers. Pressure is applied and sustained while the condensers (a variation of capacitors) are undergoing use within a circuit to reduce their equivalent series resistance.

Preface to Part Two of this eBook: Tesla's Special Generator and Pierce-Arrow Demonstration of 1931.

These are two books in one. What follows is an eBook I had written to supplement this one. Then, I decided to integrate that into this and discontinue that. So, what follows – on this page – is the preface to *that* book which repeats some thoughts of mine I probably have already mentioned in earlier chapters of *this* book.

Most solar powered devices run off of a battery of energy storage cells rather than taking electricity directly from the solar panel. The solar panel recharges the battery and the solar powered device runs directly from the battery. Yet, my design requires so little power that I can get away with eliminating *all batteries!* Instead, I take electricity directly from a micro mini, solar panel powering a moderate frequency, sine wave generator at a cost derived from the ambient lighting surrounding this device.

Since I run off of inspiration, I haven't had much to say concerning Tesla's Pierce-Arrow. But I've been busy [writing a book](#) on a motorized transformer - as well as [translating it into Spanish](#) to help with my grammar - which led to this present insight: that Tesla's Special Generator is the solid-state version of Tesla's Pierce-Arrow demonstration of 1931.

[Byron Brubaker](#) is a cool guy. Trained as an electrical engineer, [confidant to Joseph Newman](#), and going by the moniker of *MX6Maximus* on [YouTube](#) and [Facebook](#), has given me a few gems of electrical wisdom during our conversations. One is a variation of the Tesla Pierce-Arrow story which I've never heard before...

The reason why Peter Savo was asked to accompany Tesla to Buffalo, New York, was – not to serve as a witness, but – to keep an eye on the pressure gauge on the dashboard and notify Tesla the moment it rose beyond a certain safe limit. Although a rise in temperature and hydraulic pressure, within the car's unique transmission system (invented by Tesla; see, his patents for a [bladeless turbine](#) and [valvular conduit](#)), could warrant some concern whenever the car is in motion, Byron claims Tesla was pressurizing a condenser (called, capacitors nowadays) utilizing this patent, called: "[Nikola Tesla U.S. Patent 577,671 - Manufacture of Electrical Condensers, Coils and Similar Devices](#)".

I didn't have the opportunity to use this concept in any of my simulations until now.

By assuming that pressurization of the dielectric material of a capacitor equates to its *increase* of [equivalent series resistance](#), raising a capacitor's series resistance in [Micro-Cap](#) led to a greater stability of the circuit I was working on, yesterday, intended for my latest book linked to, above.

The problem I was having was that the circuit, in the course of adding more components to its simulation to enable successful rotation of a motor shaft, was [exploding to infinite gain](#) as a runaway surge condition. That was merely one type of error the simulator gave me, calling it: "Matrix is singular". *{I've had to learn by trial and error what Micro-Cap's cryptic messages mean to me instead of whatever its software designers intended them to mean!}* The only way to prevent this error from occurring was to make a capacitor into a generator to serve as a voltage regulator. *{The removal of this capacitor was the easy way to solve this problem. Yet, its inclusion ironed out the spiky gaps in the D/C output at the motor (load) coil and was the whole point to its necessity.}* Since adding equivalent series resistance to a capacitor is the same as converting the capacitor into a *current source* (by way of it becoming a negative resistor), this led to the suppression of any new surge in this isolated section of the overall circuit. And since the circuit was already inspiring the creation of a surging condition elsewhere

and under stable management, I didn't need any new instigation to destabilize an otherwise stable condition. Hence, the need for increasing the resistive presence of this peculiar variation of a capacitor. HINT..... I had to raise what would normally be my default series resistance for ceramic capacitors of 10 milli-Ohms to an unthinkable Mega-Ohm if it weren't for Byron's discussion to me several weeks ago.

This did the job. I simulated a ten second duration taking hours of computer time and consuming 4 Giga-bytes on my harddrive to store the simulator's data file for tracing the circuit's oscilloscope output.

So, I don't know if 1 Meg-Ohm is necessary or I might get away with something smaller, such as: 100 kilo-Ohms or 10 kilo-Ohms? I really don't care at this point.... The fact is, I succeeded with my quest to make my design for an overunity circuit capable of turning a motor shaft.

At one kilo-Ohm of ESR, the simulator succeeded at calculating a 300 milli-second duration. But when raised to ten seconds, it bombed out with its standard error message indicating to me that I had to raise the ESR yet again by an arbitrary factor of one thousand (for convenience's sake).

[Tesla's Special Generator and Pierce-Arrow Demonstration of 1931](#)

This section corrects some errors while adding new material.

The prior books, both [paperback](#) and [Kindle eBook](#) (above), are in need of correction. My oversight was in not paying close attention to the waveforms coming out of their simulations were incapable of rotating a motor shaft. All they could do is vibrate at an ultrasonic frequency.

But after spending more than a few days attempting to correct the problem, I finally discovered how to fix it. The result is a pair of solutions which are conceptually one and the same. Their difference lies in how they implement it.

1. One version has no moving parts. It may be the answer to my quest to discover the meaning to the quotation attributed to Tesla concerning his "Special Generator": it has no moving parts and will last for five thousand years and requires no prime mover (engineering slang for an external energy source). My version does indeed require an external energy source, but as you've probably already seen in my previous examples, never amounts to much input cost by comparison to their amplified output.
2. Another version has moving parts which comes courtesy of Nikola Tesla, himself ...
 1. His [bladeless turbine](#) acting as an hydraulic transmission to transform the moderate frequency, reciprocating partial rotations of the motor shaft (which are less than one full revolution) into a one-way, full rotation of the drive shaft if combined with ...
 2. His [one-way hydraulic valve](#) which has no moving parts! Many people on YouTube have made videos demonstrating this concept either with a model build or with graphical animations. [Check them out.](#)

The biggest problem I have had with capacitor, C4, (in the schematic immediately below) is with it inducing a runaway surge! For some uncanny reason, increasing its [equivalent series resistance](#) counterpoises this tendency and, thus, prevents it. Since equivalent series resistance in a capacitor is mathematically the same as negative resistance in an electrical component, it may be assumed that increasing a capacitor's ESR is effectively turning it into a generator – but a generator of a weird type: one which prevents surges from getting out of hand. I guess this is due to the fact that voltage sources are also voltage regulators? So, this causes C4 to better regulate the surging condition surrounding it? The only other way to prevent the contributing influence of C4 towards inducing a runaway condition (of an otherwise stable state of an overunity surge) is to remove it. Yet, I like its presence since it tightens the waveform of the inductor, *MotorCoil*, adjacent to it. I had problems with *MotorCoil* not creating a nice, flat D/C waveform of voltage. It tends to want to take a little time to plateau and then skip along with breaks. This is due to its spiky waveform is not a true D/C flatline. The presence of C4 solves this problem while introducing a new problem of its own if we don't pay attention to the resistance within a capacitor – strange as that may seem. If you study the mathematical modeling of a capacitor's current source (in pursuit of its simulation), then this negative resistance property is revealed to you. I learned this from reading the JAVA software code of the open-source electronic simulator of [Paul Falstad](#).

What is free energy? The definition of free energy – in the context of [Joseph Newman's device](#), or mine – is the combination of merely three factors: the mass of copper in the rotor and the main motor coils (equaling strength of induction) plus the lack of voltage at input along with the rapidity of its alternating frequency located there (constituting an A/C sine wave).

From Where does Free Energy Come?

Electrodynamic IMMORTALITY



Your eBookreader does not support the audio element.



[Energy is created and destroyed by Time](#) – MP3

[Vimeo video notes for Timeless Energy](#)

It comes from the same place where energy is already coming from – *the now!*

The Laws of Thermodynamics only apply to what we can *get* out of energy which is useful to us, namely: the dissipative quality of energy which wants to radiate – it wants to move – from one place to another, and do a little bit of conversion along the way. The Laws of Thermodynamics do not apply to fictional standing waves mathematically resulting from the geometric summation (resulting from their algebraic multiplication) of two waves which are diametrically opposed to each other. Nor does that set of Laws apply to the two components of electricity, namely: its wave component of current versus its wave component of voltage, which are relatedly out of sync by 180° .

By creating a mathematical fiction, we have created an immunity to entropy! Yet, this is as good as if it were *real* since it is constantly fed from a *real* source engaging two *real* waves of current and voltage.

The secret to this entropic immunity lies in its imaginary status of being a complex number composed of both a real number component and a real numbered factor of an imaginary component of the form: $a + bi$ wherein 'a' and 'b' are real numbers (such as: one, two, three, and four, etc) while 'i' is the square root of negative one. You can't dissipate what isn't real.

Now, normally, you can't utilize what isn't real, either! But by combining (by way of multiplication) two non-real quantities into a mathematically, fictitious negative value of a real number, the Laws of Thermodynamics (having to do with the loss of energy from an energetic system by way of its conversion into some other format of energy, such as: converting electricity into heat – for instance) will have been circumvented! Ouch!

Try that one out on your teachers in school or your boss at work!

Why don't we isolate this quality of radiation, namely: its ability to lose itself into the huge abyss of consumer desire, and isolate this from our source?

So, we put a transformer – an isolation transformer – between *that* voltage which we want to conserve and *that* voltage which we want to throw away in pursuit of satisfying our need for spending energy as if it were for free! *The Dream of Western-Civilization!*

The voltage we conserve will be maintained at a negative unity, power factor. This results from canceling the usefulness of alternating current by adding a wave of voltage to a wave of current both of whose phase relations are diametrically opposed to each other, namely: 180° out-of-sync. *Another way to say this is that the current wave has its phase angle shifted one way (let's assume it to be backwards in time) by a quarter cycle of a full A/C cycle, while the voltage wave is shifted forwards in time by the same amount, namely: a quarter cycle of a full A/C cycle, thus rendering both a distance of one-half cycle apart from one another.* This will cancel their ability to be directly useful to power anything, but we're not there yet ...

Well, the paragraph, above, shows how rudimentary my thinking process has been restricted (such as it is) to making analogy with D/C in order to conceptualize A/C. There is nothing wrong with this description of what *effectively* occurs, but this is not what is causatively happening!

The cause, of the above phenomena, lies in the squaring of a complex quantity whenever the 90° displacement of a portion of an electrical wave, either the current or the voltage, is superimposed upon another 90° displacement (of the other portion of an electrical wave) resulting in a negative quantity equivalent to a 180° displacement of both portions from each other results in a negative power factor. So, the reason why a useless power factor is enumerated with a zero is to distinguish how most, if not all, of its power is mathematically imaginary (represented by factors of the square root of negative one) rather than real. This also explains why a 180° displacement is called a negative power factor since the multiplication of two complex quantities results in their transformation into a negative real quantity. *{Ergo, the squaring of an imaginary square root of negative one equals negative one, for instance.}* This is the cause for current reversing its common-sense tendency (under positive power factors), which is: to travel from areas of higher voltages towards areas of lower voltage. This reversal of current causes flow to proceed from an area of *no voltage* in and around my circuit's starter coils towards the area of higher voltage in and around the main motor coils and, thus, exacerbate their accumulation of voltage to an even greater degree than their internal resistance is already encouraging! And it is this reversal of current which demonstrates the effect emanating from the cause, which is: the mathematical creation of a fictitious standing wave resulting from the product of two complex quantities of *zero power factor*.

So, my description, up above, is not so far fetched after all since a 90° displacement of the voltage

component of electricity times the 90° displacement of the current component of electricity will always result in their effectively becoming (contributing to) their collective cancellation of their individual status of zero power factored uselessness by giving birth to a mathematically, fictional offspring whose characteristic is a negative (reversal) of (current) polarity (with respect to its voltage polarity) and reversal of [entropy](#) (into [negentropy](#)) via its exclusion from jurisdiction under the Laws of Thermodynamics.

*BTW, we have succeeded in creating an artificially induced, second source for our energy (held in a temporary holding pattern of preventing it from escaping its isolated condition) sourced from the limitless supply of the "Now". This temporal framework is never entirely forwards, nor entirely backwards in time: it is always an equal amount of both. [No small wonder these waves don't want to move around, nor dissipate themselves, while in this state of disassociated synchronicity!] This temporal state of the partial disassociation of electricity feeds our freely available, limitless supply of energy. This half-cycle of distinction between the sine waves of current and voltage is never allowed to die off due to a moderate, 30k Hz to 100k Hz frequency of low voltage, sine waves gently stimulating the continuation of this condition with a mere micro volt of stimulation. Thus, this scant stimulus will slowly accumulate into something ridiculously substantial – at an exponential rate of acceleration – since no loss is ever allowed to occur on **this** side of this transformer.*

Getting back to the discussion... We put our load on the other side – the secondary side – of this isolation transformer. This load will want to be fed a dissipative quality of mechanical energy subject to the Laws of Thermodynamics, namely: of a positive unity, power factor (ideally, speaking). The secondary side, of this isolation transformer, is the drive shaft connected to the wheels of our hypothetically, idealistic electric vehicle. The primary side is the motor shaft. And the isolation transformer is the hydraulic transmission – inclusive of one-way valves – between the two.

Now we'll have a voltage source (of potential, electrical energy) on the primary side (of this transformer) which will never drop due to: **a)** its isolation, and **b)** its extreme out-of-phase condition. This voltage will never dip less than whatever it wants to maintain itself at, while the other -secondary-side (of kinetic, mechanical energy) will continually have its voltage depleted due to the current (of rotation amidst its drive shaft and wheels) constantly draining away its voltage to satisfy our load (engaging the motion of our vehicle). But we won't let the drive shaft entirely succeed at draining itself of potentially, energetic voltage since this secondary is constantly fed by the primary which never becomes depleted! Voila!!

We're using a negative unity, power factor (-1PF) to feed a positive unity, power factor (+1PF). The negative (-1PF) side of this transformer never depletes itself since its current (rated in amp-hours) cannot be used to power anything. *{It's thoroughly confused!}* While the positive (+1PF) side has a constant hunger for more power: no sooner then it is received, it is lost all over again!

This is the secret to free energy: we never drain, ie. kill, the (voltage) dipole which feeds current to our load.

It's true: we're constantly draining our other voltage source at the moderate frequency, sine wave generator. Yet, we create another dipole on either side of an isolation transformer which never dies so long as the moderately rapid sine waves keep coming.

This renders this transformer into a perpetual motion of positively, power factored current scooting around (on its secondary side) at the behest of a voltage (on its primary side) which we can't use due to its negative power factor!

The Conservation of Energy has been satisfied since we never lose anything on the primary side of our

isolation transformer. We couldn't possibly lose anything, anyway, since we never allow it to become a condition in which it could be lost in the first place! *{Complex values, involving imaginary numbers, can't ever be lost! They can only accumulate.}* This is the value of putting a negative power factor to good use.

BTW, a [negative power factor](#) is whenever the capacitive reactance dominates the inductive reactance. You can bet that if this power factor should also be unity while being negative, then inductive reactance will never have much influence to drag a circuit down into a condition of entropy governing the Laws of Thermodynamics. Because it is this domination of capacitive reactance over inductive reactance which creates a condition of the build up of voltage (*without it ever becoming drained*) resulting in a perfect voltage source of boundless amp-hours!

What is the electrical manifestation of this archetypal, isolation, center-tap transformer?

It is the scant mutual inductance (of a mere 10% coupling coefficient) existing between the squirrel cage rotor (of a single phase, induction motor) and its main motor coils. *{For the most part, the starter coils won't have much relationship with the rotor coil. The magnetic coupling will be there, but not by much – more likely along the lines of around $3e-10$ coupling coefficient. Instead, the starter coils will serve as the other set of coils complimentary to the main motor coils of this archetype of a center-tap transformer.}*

So, it is the rotor coil's relationship with the main motor coils which produces a surge while at the same time the rotor coil is the beneficiary of this relationship defined by its weak mutual inductance with the main motor coils.

{As you may recall – if you've [already read](#) this entire book! 😊 – the starter coils possess practically no resistance having less than 10 milli Ohms of resistance while the main motor coils have lots of resistance. This accumulates lots of current without any voltage within the starter coils while accumulating lots of voltage and a scant current within the main motor coils.}

The energy of the rotor coil is a blend between the contribution of the main motor coils plus the starter coils. The rotor coil possesses both a high current and an elevated voltage over that which feeds this circuit (at the low voltage, moderate-frequency, sine wave generator). The rotor coil is the recipient of the best of whatever both sets of coils (the starter coils and the main coils) this motor's armature can offer it.

It is the relationship between the electric field and the magnetic field, in a live wire, which produces electrical energy in that wire. The energy is always there regardless of whether the waves associated with each field are in sync exhibiting a positive power factor of unit one. This is wherein energy is useful.

But it makes a difference, as noted above, whether or not these two components of electricity are in sync or not since if they are, then they have the propensity to "leak" out of whatever circuit contains them following in the footsteps of the Laws of Thermodynamics. But if they are not in sync, especially when they are diametrically opposed to each other per moments of time (such as when they are 180° out-of-phase with each other exhibiting a negative unity, power factor), then their ability to leak out of whatever circuit contains them turns to zero.

The electric field is potential energy while the magnetic field is its kinetic analog. Yet, each is embodied by a wave. And it is only when these two waves are in sync that we have energy in a radiative format suitable for disposal into an electrical load.

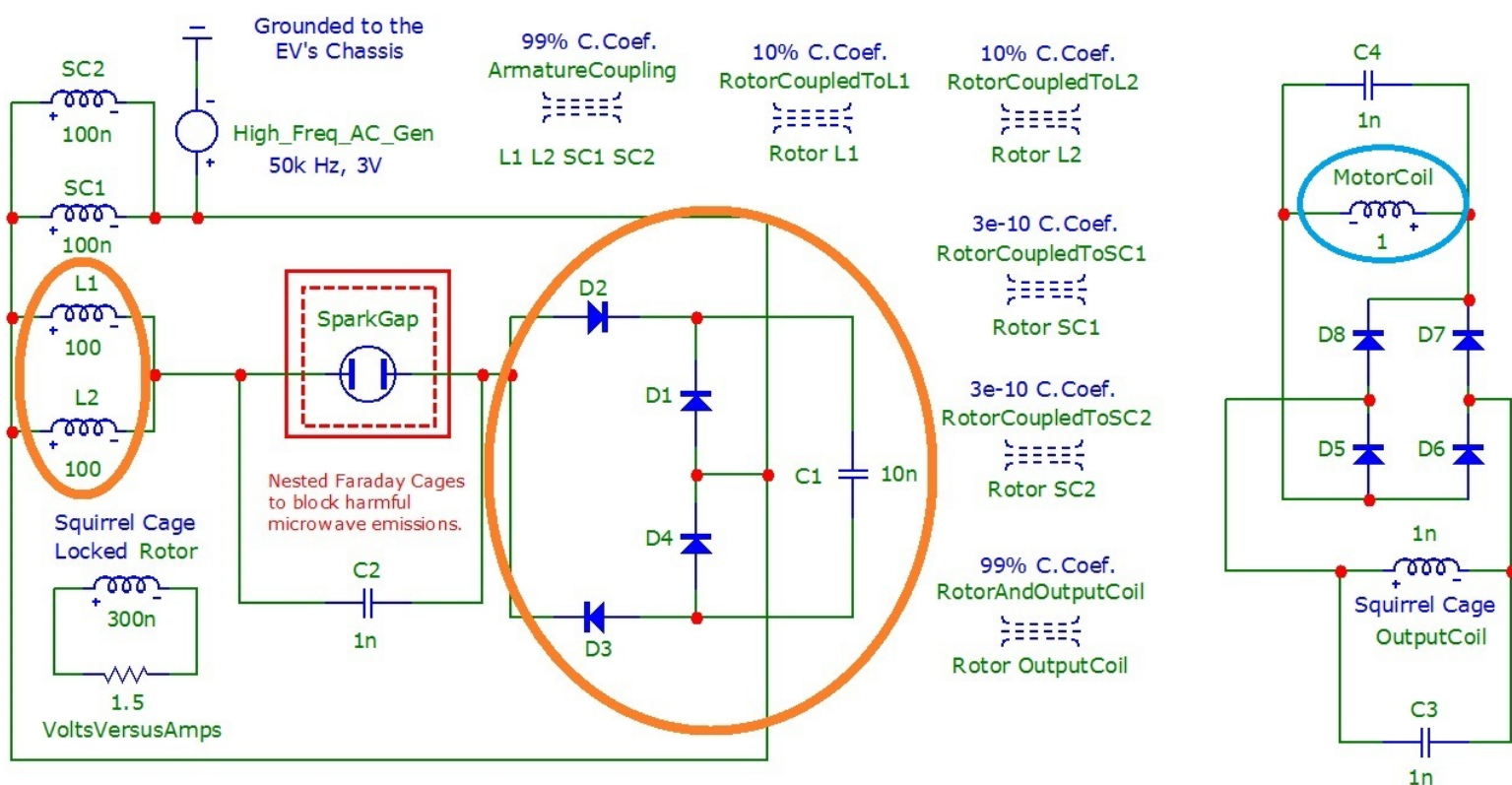
Now... a transformer can become both a current source and a voltage source if it's power factor on

both sides is negative one.

This is what happens when we subdivide the armature of a single phase, induction motor into a pair of starter coils and a pair of bifilar, main motor coils. We create a condition in which the starter coils are a current source while the main motor coils are a voltage source due to the step-up in voltage this transformer is configured to achieve (by the extreme size difference between the huge induction of the main motor coils and the scant induction of the starter coils). And both sets of coils are limitlessly supplying free energy since both sets are exhibiting a negative power factor of as close to unity as we can get them to be (in theory and in practice).

By feeding a capacitor from the D/C output of a full bridge rectifier, the capacitor has no opportunity to discharge let alone oscillate its discharges. All it can do is accumulate more charge up to a limit and hang there. *{And in the case of variations of this circuit, it'll hang at either ~100V or ~500V.}* This produces a congestion of charge on the input side of this four diode bridge as a consequence of congestion on the output side of this full bridge rectifier. And this congestion of charge induces a rise of resistance (since current has no where to go under these circumstances) which accelerates the rise of voltage even more so than at the start.

A surge cannot help but arise (under these circumstances) within the body of the main motor pair of bifilar coils immediately adjacent to this four diode bridge.

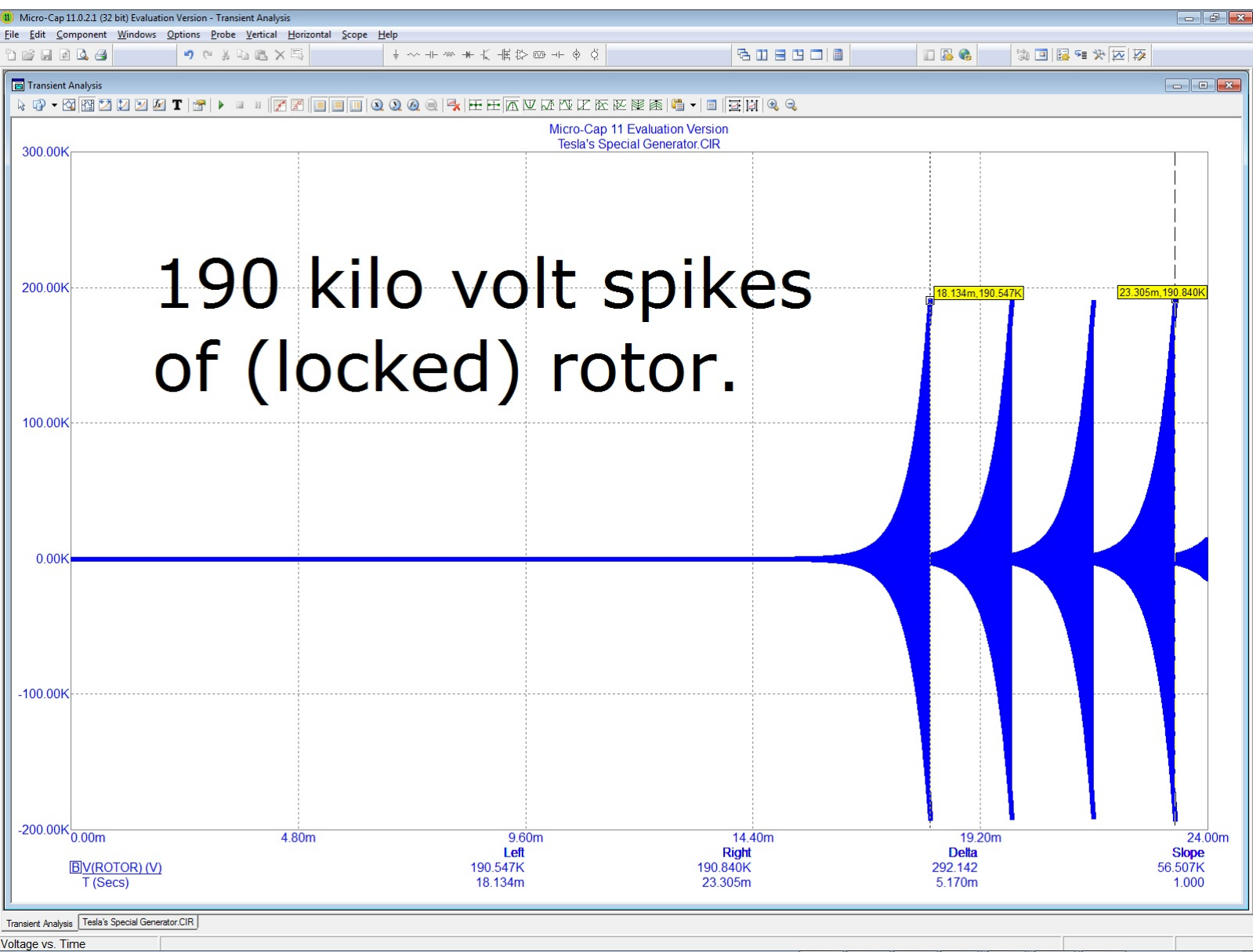


Negative unity, power factor accumulates here on this side of this circuit...

There are several transformer relationships occurring, here, some of which are in isolation.

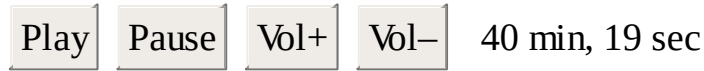
...while a positive unity, power factor accumulates on this side of the circuit.

And the adjacent spark gap will be there to periodically break up this surging condition into staccato wedges of exponential rises followed by sharp collapses.



Where does Electricity Return to When it is Decomposed?

Your eBookreader does not support the audio element.



[MP3 audio notes for this chapter](#)

[Vimeo video notes for this chapter](#)

When electricity is decomposed back into its constituent ingredients of time, magnetism and dielectricity (aka, electrostatics), it returns to a mathematical condition of the complex number field. This is electrodynamically accomplished via the *zero power factor*. This is biologically accomplished via *unstressing during meditation* or a *good night's sleep*.

As you may recall, complex numbers are a class of numbers composed of both real and imaginary numbers, ie. some factor (b) of the square root of negative one (i) plus some real number (a) taking the form of: $a + bi$ in which 'i' is the square root of negative one and 'a' and 'b' are real numbers.

Thermodynamics has failed us. Besides the Electric and Magnetic Fields Traveling along the Length of a 'Live Wire', Time is another Factor Serving as a *Source for Electricity!*

The [Law of the Conservation of Energy](#) covers all energy. Yet, the [Laws of Thermodynamics](#) do not. These latter laws are supposed to cover all possibilities in which the Conservation of Energy applies. Well, there's at least one thermodynamic option not covered which will produce lots of unlimited free energy and still uphold its conservation.

Each of three distinct areas of electricity are covered by the power factor according to conventional knowledge. As you may already know, the A/C cycle is divided into four quadrants each of whom define the phase angle between current (resulting from the impact which the magnetic field has upon a 'live' wire) and voltage (resulting from the impact which the electric field has upon a 'live' wire).

Besides any others, there are at least two electronic components (of which I know) that have the ability of shifting the phase angle of a sine wave: the capacitor which causes current to lead voltage by a factor of 90° (synonymous with one-quarter of an A/C cycle), and the inductor (or a very long piece of wire) which causes current to lag voltage by a factor of 90° . Whenever either of these two components act, individually, the positive power factor of an inputted source (which is a real number) is affected by its conversion into a zero power factored output into a complex number composed of the summation of a real number and some factor of an imaginary square root of negative one (of the form: $a + bi$ wherein 'a' and 'b' are real and 'i' is imaginary). But whenever both come into play in a coordinated manner, then 180° phase is shifted between both portions of a sine wave producing a negative power factor.

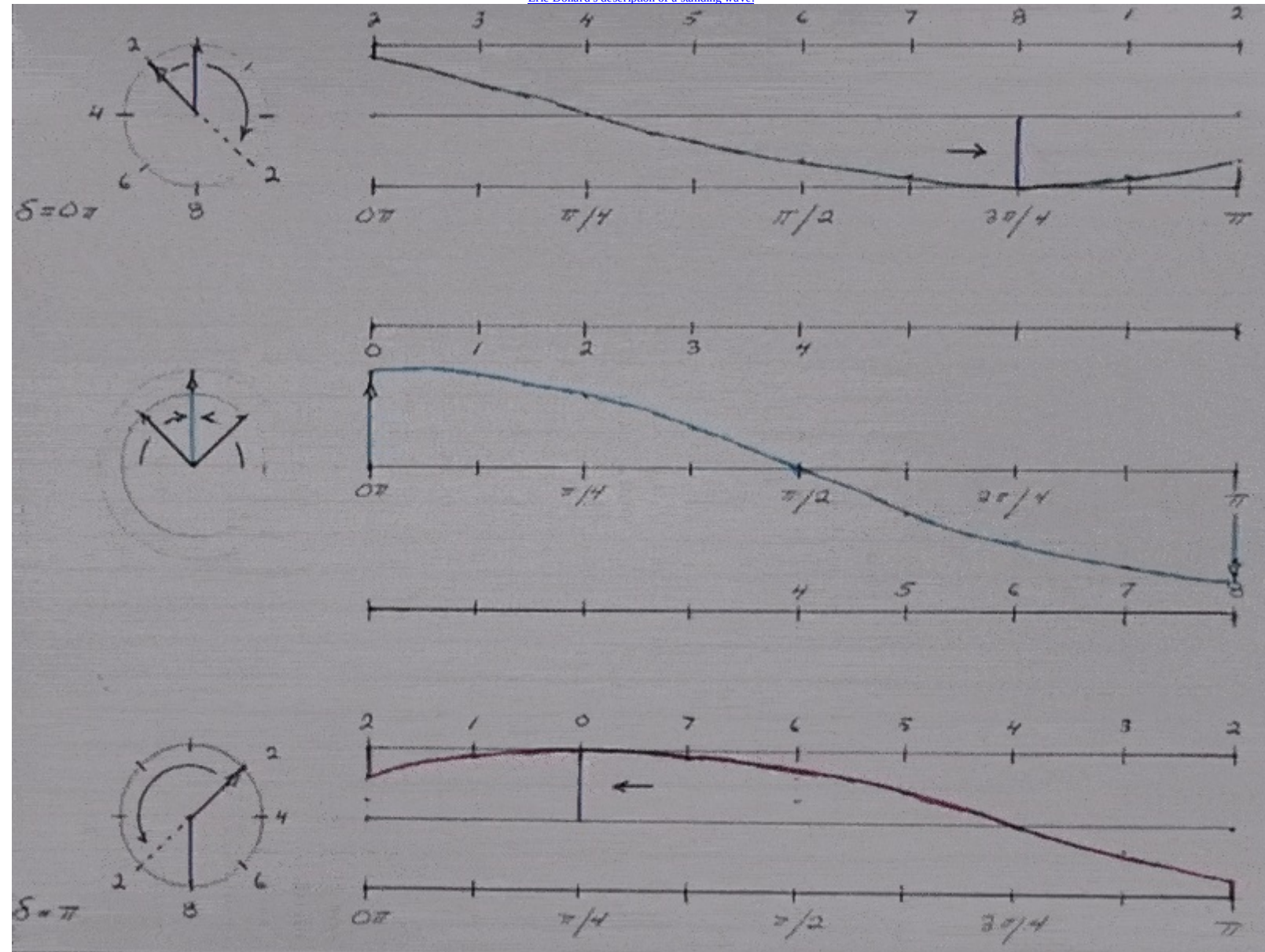
The reason why it is a negative real number is on account of the multiplication of two complex numbers resulting from two 90° shifts contributed from capacitance and inductance, simultaneously.

Positive power factors have practical value since they represent kinetic energy on the move. When a wave of energy moves, it is subject to the laws of thermodynamics since movement allows for change. And change allows for losses due to conversions from one form of energy into another. But most importantly, the real numbers of a positive power factor are measurable since they exist as tangible quantities affecting tangible energy exhibiting tangible results, such as: the radiation of heat from an electric heater or the rotation of a motor's shaft.

Negative power factors have no immediate, practical benefit since they are a mathematical fiction representing two actual waves summed to create a net cancellation of movement. Their individual movements are still existent — so, the conservation law still applies, but the net cancellation turns their actualization (as kinetic energy) into fictionalized potential energy. So, in a sense, one could argue that the law of thermodynamics still applies. But our present understanding of how to interpret the laws of thermodynamics gets more fuzzy as we proceed along this line of reasoning....

No movement means a standing wave described, here, by Eric Dollard concerning Tesla's Magnifying Transmitter...

Eric Dollard's description of a standing wave.



No movement is potential energy. It's not kinetic. Yet, we can still use potential energy on one side of an isolation transformer to serve as a secondary voltage source built up from a primary input. My primary input, I like to use, is one micro volt carrying a sine wave of moderate frequency in the range from a low of 30k Hz up to 100k Hz — although I prefer to have my simulated devices hang out at either 50k or 70k Hz.

This energy cannot dissipate since it's a standing wave. This is why I drain the secondary side of this isolation transformer into a D/C to A/C inverter. And I've learned how to use either another branch-circuit to effect this conversion, electrically, or I can use two of Tesla's patents to effect a mechanical conversion (his [bladeless turbine](#) plus his [valvular conduit](#)). This drainage effectively becomes an

unlimited supply of amp-hours since the stationary wave cannot become depleted so long as my moderate frequency sine wave generator (of one micro volt stimulation) is allowed to continue to excite this circuit at one micro volt of stimulation.

The primary side of this isolation transformer will take a few dozen milli seconds to accumulate enough energy until it's sufficient to power whatever my intended load requires largely based on the size of my largest stator coils and the size of the rotor.

And since the load is isolated from this standing wave of potential energy, the kinetic energy traveling through the 'load's branch-circuit' effectively becomes unlimited in its actualization of kinetic energy and thus produces an unlimited supply of amp-hours.

The input – at the sine wave generator – can be as low as pico or nano watts. Yet, the output at the load can be as high as more than 60k watts!

The conservation of energy has remained without violation since all I did was use the laws of thermodynamics to convert the positively, power factored, nano wattage of sine wave input (coming from the moderate frequency generator) into negatively, power factored standing waves (as a first stage of conversion) and then convert these standing waves into positively, power factored, kinetic energy at the load.

But where in the halls of thermodynamics does it say I can do this?

They should, but they don't.

The only difference, here, by comparison to – let's say – a flashlight circuit, is that time is never manipulated in a flashlight circuit to get more energy out than energy in.

But by sustaining a negative power factor, I can sustain a condition equivalent to a voltage source.

Batteries are what most people associate with voltage sources. Also, sine wave generators.

But a standing wave of negative power factor is also a voltage source. The difference is that batteries and sine wave generators will become drained of their voltage by way of a flow of current passing from one of their terminals and returning to the opposite terminal to equalize their voltage difference.

This is what Thomas Bearden warned us concerning [voltage dipoles: don't kill them](#); meaning, don't equalize them via any flow of current from one terminal to its opposite terminal.

So, it seems to me that both the laws of thermodynamics and the law of the conservation of energy are both valid laws as they stand. The problem is how they're interpreted. Specifically concerning our avoidance of putting negative power factors to any practical use in a 'free energy' circuit.

Since electrical engineers and technicians are highly trained in the artistry of power factors, and since they're *not* trained in how to use negative power factors, then the obvious conclusions drawn from this lack of expertise is that "energy exiting an electrical system must always equal energy entering into it" — a false conclusion drawn from the three-fourths of an A/C cycle (comprising zero power factors and positive power factors – which we are formally trained to make use of) versus the single quadrant we have been habitually avoiding of negative power factors.

It's obvious to me that time is a source, or another prime factor, of electrical energy. It's not enough to merely focus on the electric and magnetic fields surrounding a 'live' wire since holding apart the phase angular relationship of the electric and magnetic fields of the sine wave of electricity traveling along the length of a wire can manifest an abundance of electricity for as long as these two fields are temporarily held apart for each half-cycle of an A/C cycle.

It's also interesting if we assume that: as far as the perspective of each field is concerned, one field has

advanced (in time) by one-quarter cycle of an A/C cycle while the other field has retarded (in time) by a similar amount to produce their one-half angular separation. So, we could also postulate that a fictional total of zero time has been shifted despite each field has been shifted by 1/240th of a second (in America) or by 1/200th of a second in Europe.

Interestingly enough, Wikipedia states (in its article on Conservation of Energy) that [energy is not conserved if time should shift](#). Yet, I know that the energy is still there as a real number – as a mathematically fictitious quantity (if it's a negative power factor). And since a negative power factor is a mathematical fiction resulting from the multiplication of two complex values (of 90° power factor) which are actually happening, then – in a sense – this intermediate stage of energy conversion within my circuit simulation does not physically exist yet is allowed to serve as an intermediate stage leading to its actualization into a real, positive quantity. So, any bypassing of conservation of energy is merely a temporary stage between a first and a last stage of energy conversions which are all conservable. And furthermore, it's only out of ignorance that we claim conservation could be bypassed, at all, under any circumstance!

So, besides the very real electricity of a positive power factor, there also exists what is already recognized as a zero power factor of complex values. But what is not generally known is that a third state of electricity is negatively real, and a mathematical fiction born of two complex values which are multiplied together. But being a fiction does not preclude it from actually affecting a transition between a very real, low energy input converted into a much higher, real energy output. And besides, their fictional character is merely the result of their a mathematical simplification. So, it's obvious that what we're dealing with, here, is a slightly complicated orchestration among a pair of complex factors of the form: $(a + bi) \times (c + di)$.

This is where the *interpretation* of thermodynamics has failed us along with the *application* of energy's conservation.

Christ/Avatar Circuitry

What an insight!

Free energy is the manifestation of the supremacy of Almighty God embodied within a circuit. This makes this type of circuit an Avatar; a Christ; a Redeemer; and the Son of God possessing divine (infinite equals free-energy) regency as Its right. How else is it best to explain this topic? And why else is it so difficult to discuss it to diehard scientists unless they're atheists – whether or not they admit it?

Negative power factor is the blood of Christ. It redeems entropy with free, boundless supplies of wealth phrased in modern terms as being unlimited supplies of energy. This is what formerly was called: Christ's Power, His Grace and Presence.

Yeah... It takes a certain amount of faith to get this far in my discussion and research. How else could I have come this far except by faith and dedication?

All of the countless hours spent in front of the simulator and, now, spent in front of the eBook editor are the direct result of my faith in my feeble attempt to grow out of my ignorance of this subject.

And all of the embarrassing moments confronting non-believers in hopes that maybe they have some gift of grace with which to bestow upon me – some grace of perspective to help me transcend my limitations of awareness.

It has not been in vain. Far from it.

True, I count Eric Dollard to be my best opportunity for enlightenment on this topic since he *is* a wizard when it comes to electrodynamic theory.

And I count the legacy of Nikola Tesla as a true friend.

Yet, once in a while, people surprise me with gifts of their own.

I am truly blessed! 😊

If we can see visible light why can't it be seen in space? – Quora



Electromagnetism is an effect; it is not capable of causation.

Dielectricity, aka electrostatics, is the cause for the manifestation of electromagnetism.

Where ever two lines of dielectric force cross, or more accurately entwine at right angles, at their intersection orbits the effect of this crossing, namely: a toroid of electromagnetism. Without this crossing, no electromagnetism could exist. This crossing also manifests: matter (atoms), inertia and gravity.

The best analogy for this structure is [magnetic core memory](#) used by computers from 1955 until 1975 in which a fabric of criss-crossing lines of dielectric force energize EM orbitals with [magnetic remanence](#).

Reflected light is the product of electromagnetism. Yet, the range of EM's influence is very limited.

For instance, we know from past experience that the reason why the initial attempts at laying down a functional [trans-Atlantic telegraph cable](#) had failed was due to the simple-minded expectation that mere brute force, alone – in the form of increasing the voltage at the sender's end, would overcome the lack of boosting stations along the way.

Prior development of the telegraph transmission line used boosters composed of galvanic piles, called Earth batteries, made of stacks of zinc alternating with iron discs separated by a layer of gravel and

buried in the Earth every 150 miles or so along whatever stretch of telegraph line was stretched out above the ground. This worked well for land-based systems, but [couldn't be utilized for oceanic transmission until 1956](#).

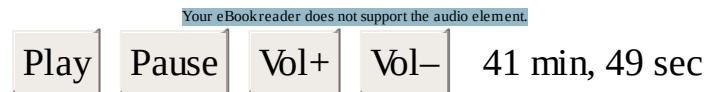
Oliver Heaviside fixed the problem (treating it as a [mathematical challenge](#)) by inventing the first coax: an inner core of copper wire was insulated, then wrapped with a layer of either iron wire or ribbon, then encased with an outer layer of insulation.

The initial problem was not for lack of voltage as the Royal Society in London had believed so strongly in. The problem was that the magnetic field along the entire length of wire was deteriorating faster than the electric field. So, the magnetization of a suitable material, such as: iron wire, served as a self-boosting method of ensuring the prolongation of the magnetic field component of the signal made it all the way to the opposite end across the Atlantic in perfect synchronicity with the electric field component of the signal.

This points out the short-range influence of electromagnetism: it dissipates too rapidly to afford its use for long-range communications in space. In fact, there's too much time delay to be of any practical use.

But space communications utilizing longitudinal waves of dielectricity are much better since they travel, not similar to [flicking a loose rope between two people](#) creating an undulating electromagnetic wave between them, but more similar to pushing or pulling on a solid stick. The effect at the other end is nearly instantaneous with very little loss of power.

Dielectricity dominates empty space while electromagnetism dominates solid, liquid and gaseous materials along with plasmas.



[The Aether is a Mathematical Fiction](#) – MP3

[Do you believe in flat earth?](#) – Quora

Think about the consequences of what I've presented.

Whenever two lines of dielectric force cross in space, the illusion of matter is spawned.

What dimension is a crossing of two uni-dimensional lines of whatever?

Two, right?

So, space – from an energetic point of view (what other point of view is there?) – dictates a flatness to itself. If space is flat, then how could we claim that anything else is flat? What would be our reference for distinguishing a difference if everything is of the same dimension?

But, if I'm wrong in a minor detail...

If the formation of illusory matter can encompass more than the minimum of merely two lines of dielectric force, then whatever limits this multiplicity of crisscrossing lines of dielectric force (if there is a limit at all), then *that* is the limit to the dimensionality of space.

Thus, to answer your question is to not bother since its answer will be predicated, firstly and primarily and exclusively, on whatever is the answer to this question which I pose to myself as a consequence of yours.

Since I don't know about this detail, then I can't possibly answer yours.

At least I've answered the initial question concerning seeing light in space.

I realize that growth of awareness is incremental at best and I will have to step aside and be patient that all of these questions, and more, will be answered in the fullness of time by someone else.

Peace. And, thanks for asking.

Preventing Saturation – among either Capacitors or Inductors – Prevents a Run-Away Condition (resulting from Transient Surges)

We want a transient to surge indefinitely to get continuous production of free-energy. Yet by their very nature, surges are meant to be a transient phenomenon or else self-destruction of their hosting circuit will be the result.

It's possible to prevent a transient surge from getting out-of-hand by controlling either capacitors or inductors in a novel way. Yet, in both instances, we'll be preventing their saturation.

In the case of capacitors, we'll be suppressing their dielectric material from becoming saturated with electrostatic charge.

Or in the case of inductors, we'll be suppressing their magnetizable core material from becoming saturated with magnetic charge.

In a free-energy circuit, we only need to do one or the other to control a surge. We don't need to do both. And, I suspect, we may create an inherent contradiction if we do both, for [each is the complete denial of the other](#). Ergo, each is the direct opposite of the other. Hence, each is the reaction to, and the mirrored reflection of, the actions of the other.

Preventing saturation among either a pivotal capacitor or inductor will make my free-energy motor-design practical. This will produce an outpouring of overunity which is incapable of being suppressed by a load, or a dynamic load, which many resonant free-energy devices are vulnerable to (just ask the ghost of [John Ernst Worrell Keely](#)). And it will be able to rotate a motor shaft (*best of all!*). And this method – which I am about to share with you – is inclusive of the two electrical components which [Eric P. Dollard](#) has [claimed](#) are all that are necessary to synthesize or decompose electricity from, or return it back into, its constituent ingredients of time, magnetism (aka, the magnetic field surrounding a live wire) and dielectricity (the electric field surrounding a live wire). These two components, namely: the inductor and the capacitor, together replace the need for constructing [Tesla's Magnifying Transmitter](#) (aka, [Wardenclyffe](#)). Yet, both are prone to saturation. And it is this saturation which hampers the production of free-energy.

Take motors, for instance. Historically, overunity motors would often succeed at synthesizing more energy exiting their system than it took to run them by suppressing their back EMF. It is a major mistake to overlook this simple rule-of-thumb, especially when it also applies to capacitors.

The analogous impediment within capacitors (prohibiting the production of free energy) is the saturation of their dielectric material with electrostatic charge.

Yet, both of these two unique, but similar, types of saturation can be prevented from occurring – each in their own unique way.

Let's take capacitors, for starters ...

Capacitors can be pressurized to prevent their saturation with dielectric force. And Tesla managed to get a patent for this procedure (although the patent, [US # 577671](#), merely claims the use of pressure during their formation; not during their use). Simulators are able to emulate this by allowing for the increase of their equivalent series resistance. Unlike limits imposed upon entering values for mutual inductance among coils (known as their coupling coefficient) beyond that of positive or negative unity (in order to adhere to conventional applications of electrodynamic theory), there is nothing to prevent the entering of, what may appear to be, a ridiculously high value for a capacitor's series resistance during its simulation.

never patented – in the 1890s.} William Lyne is the [sole source](#) we have for this technique of preventing magnetic coil-core saturation concerning Tesla's Special Generator when applied to the hull of a Nazi Elektroboote. It has never been tested, otherwise.

I'm just following this logic, when applied to both components, to draw analogous conclusions despite their speculative (and inconclusive) nature (by conventional standards of collective ignorance).

For all I know, I may be *spot on!*

Your electric vehicle conversion need not look like either of these ...

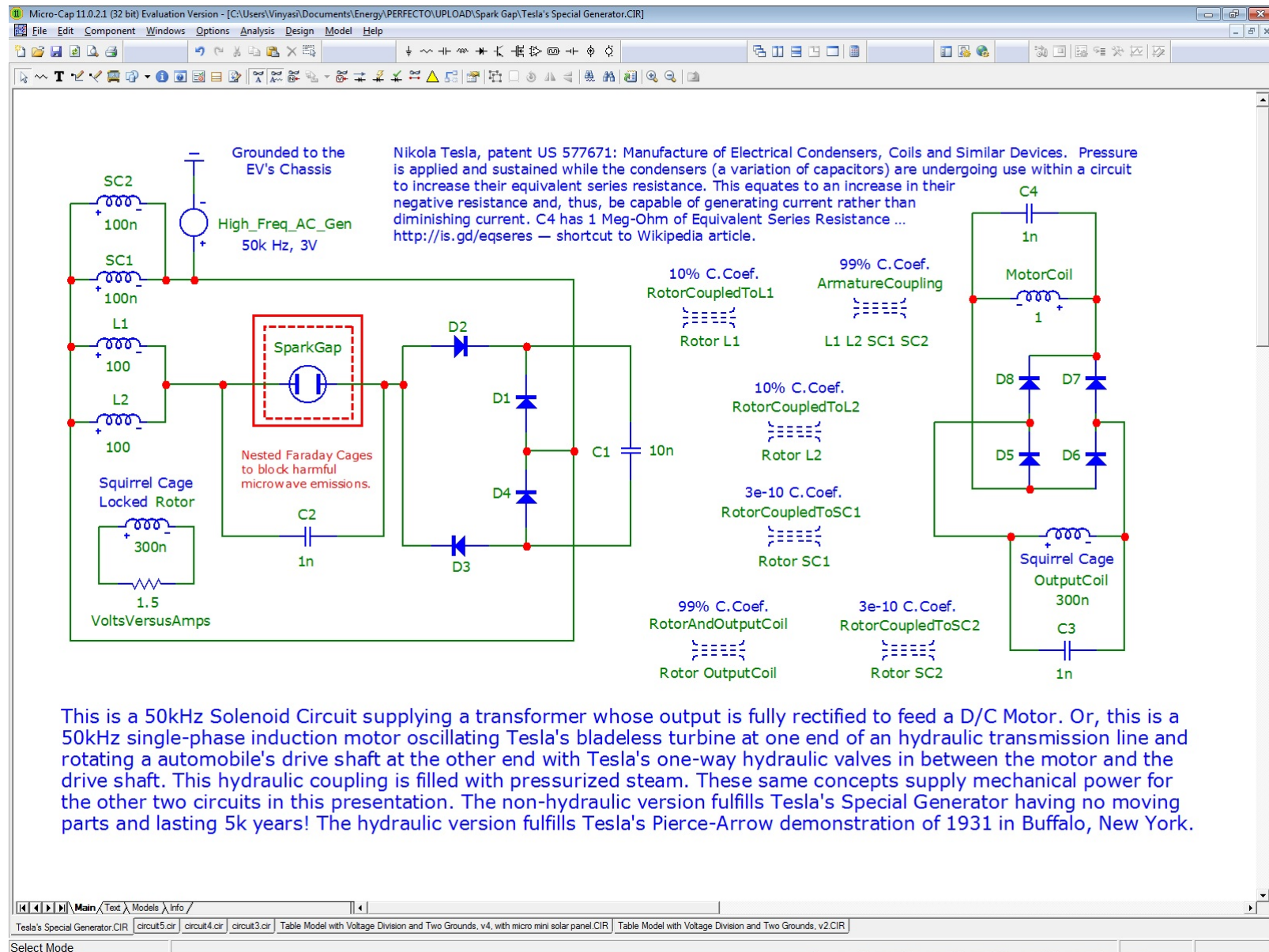


Instead, it should look like this ...

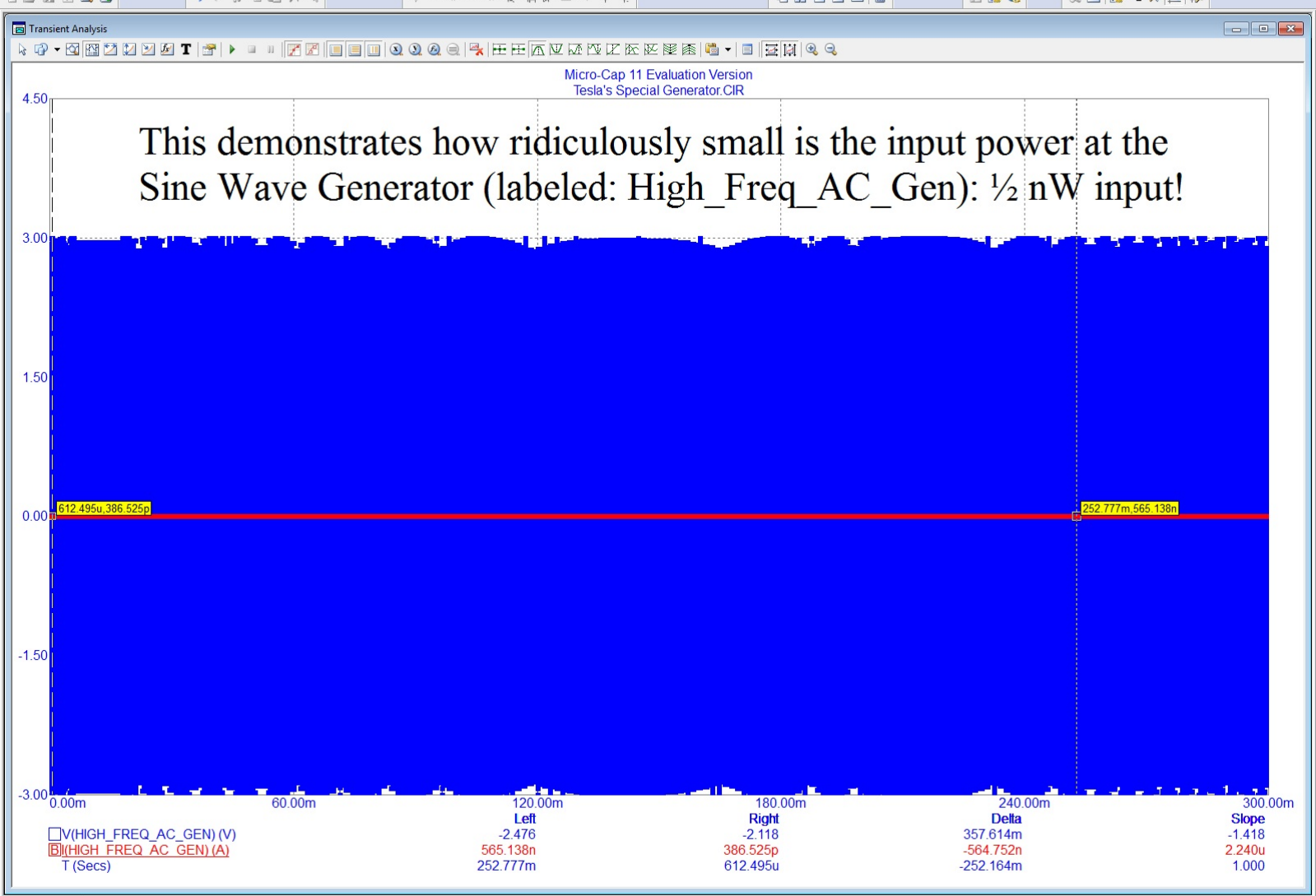


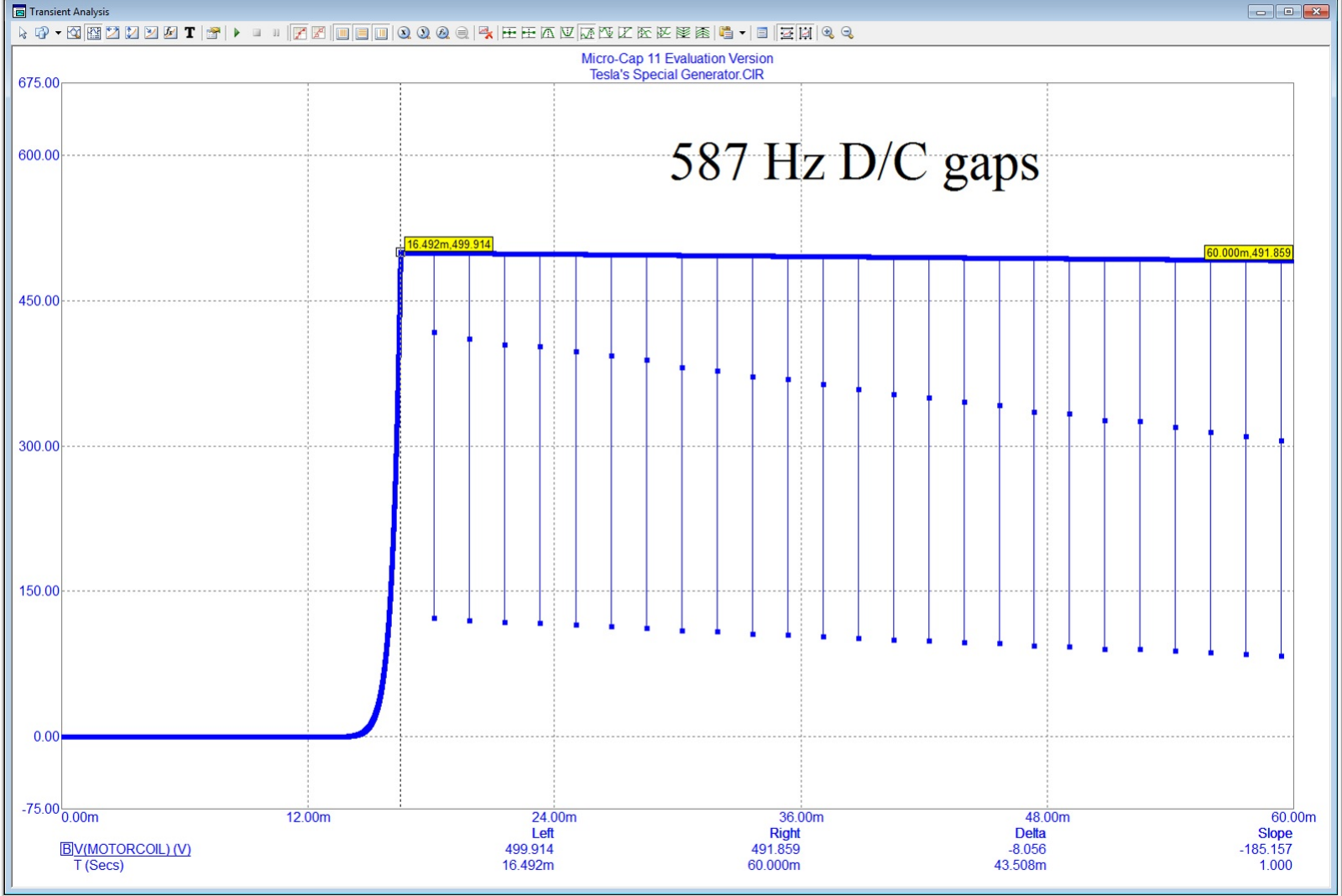
Simulated Oscilloscope Tracings with Schematic

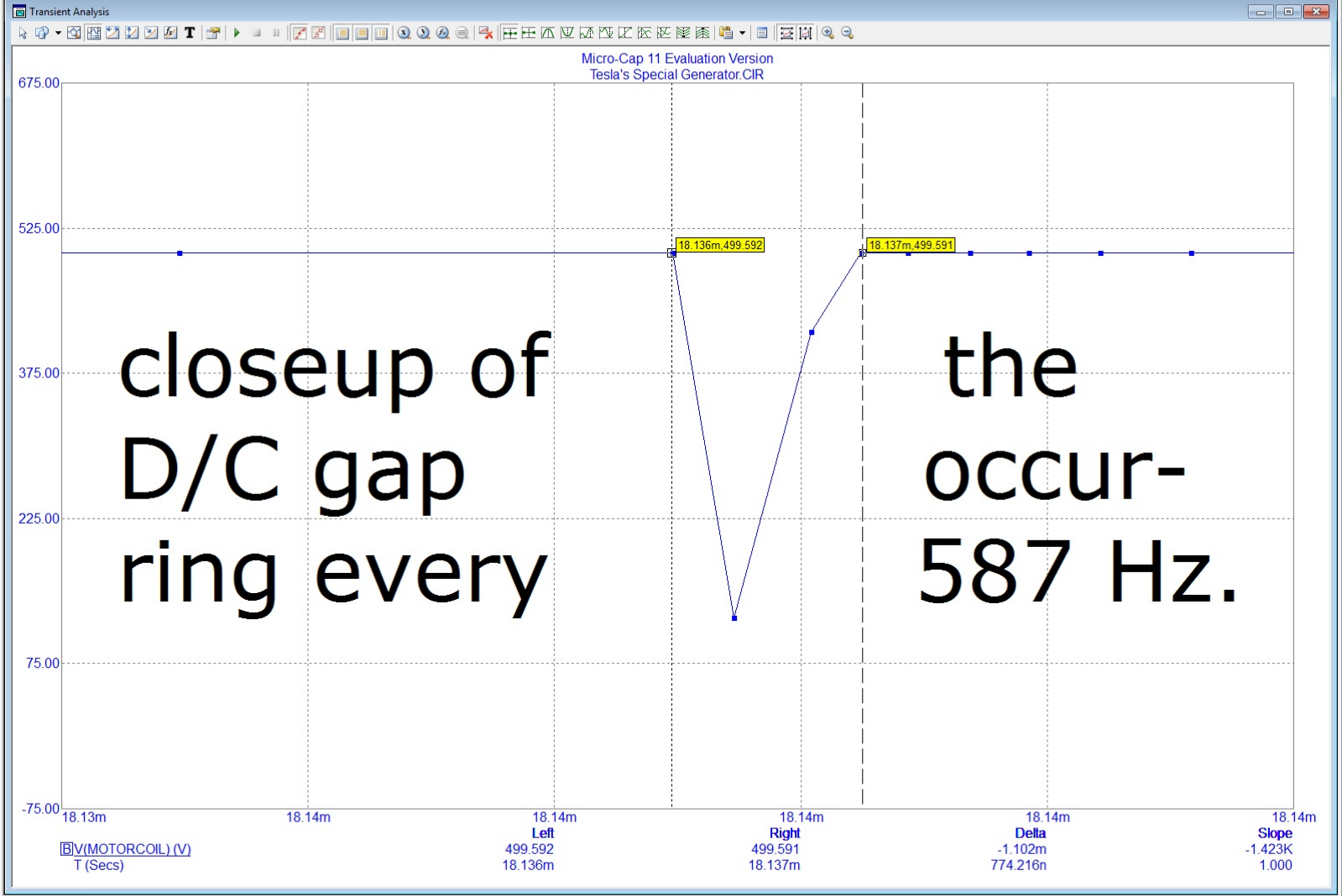
The following oscilloscope tracings, accompanied by their schematic, results from the simulation of a **full-scale design intended for an electric vehicle conversion**. Unlike my [prior work](#), these **can rotate a motor shaft** without the need for an [hydraulic transmission](#), for I have taken the liberty of adding an electrically isolated section (via an off-the-shelf, single phase, A/C induction motor acting as its own generator, and transformer, involving the locked rotor coils) which does a fairly good job of converting the A/C synthesis of electricity into a D/C (mostly-flat line) output at its "Load Coil". This Load Coil is used as an enlarged starter coil for this motor.

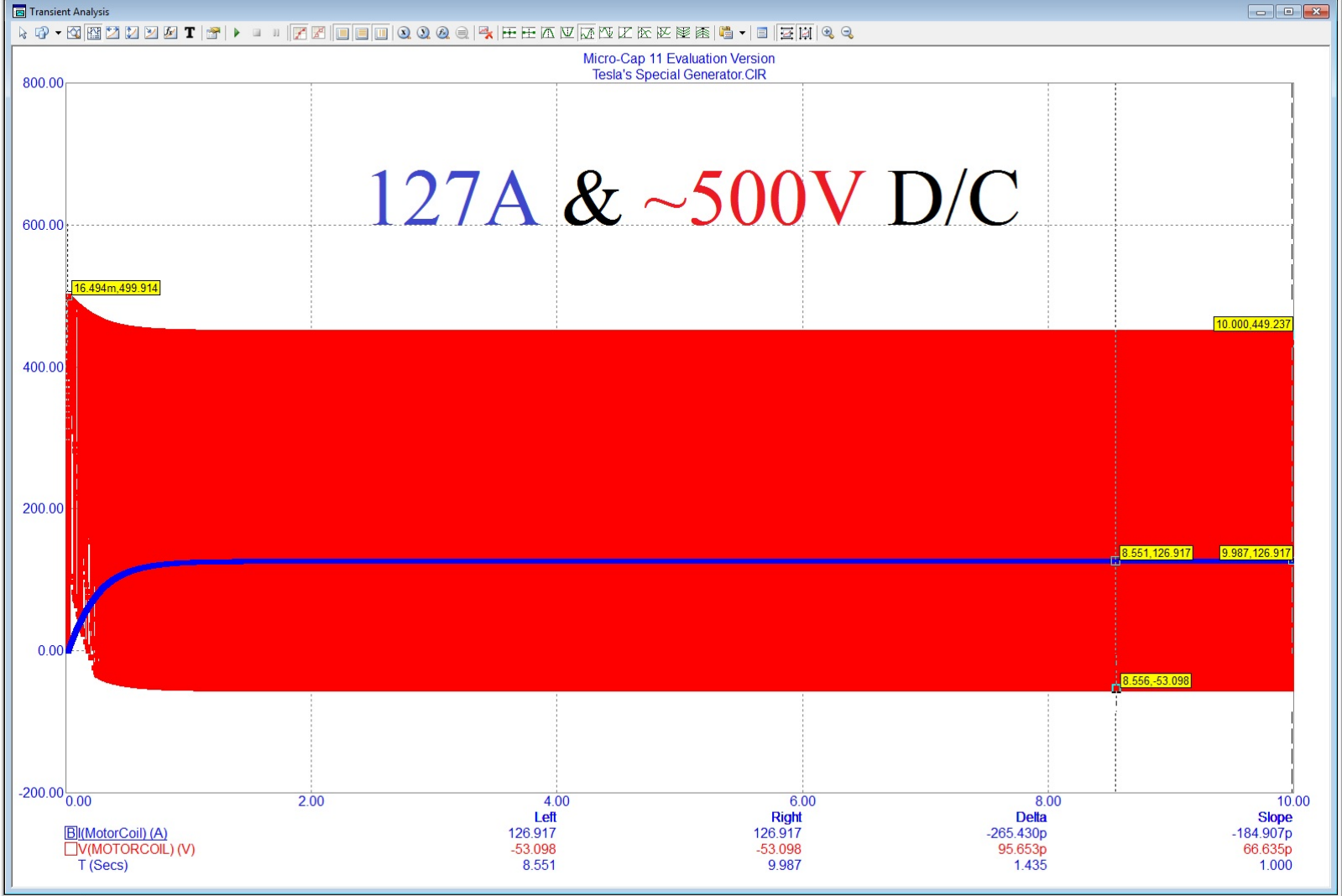


This is a 50kHz Solenoid Circuit supplying a transformer whose output is fully rectified to feed a D/C Motor. Or, this is a 50kHz single-phase induction motor oscillating Tesla's bladeless turbine at one end of an hydraulic transmission line and rotating a automobile's drive shaft at the other end with Tesla's one-way hydraulic valves in between the motor and the drive shaft. This hydraulic coupling is filled with pressurized steam. These same concepts supply mechanical power for the other two circuits in this presentation. The non-hydraulic version fulfills Tesla's Special Generator having no moving parts and lasting 5k years! The hydraulic version fulfills Tesla's Pierce-Arrow demonstration of 1931 in Buffalo, New York.

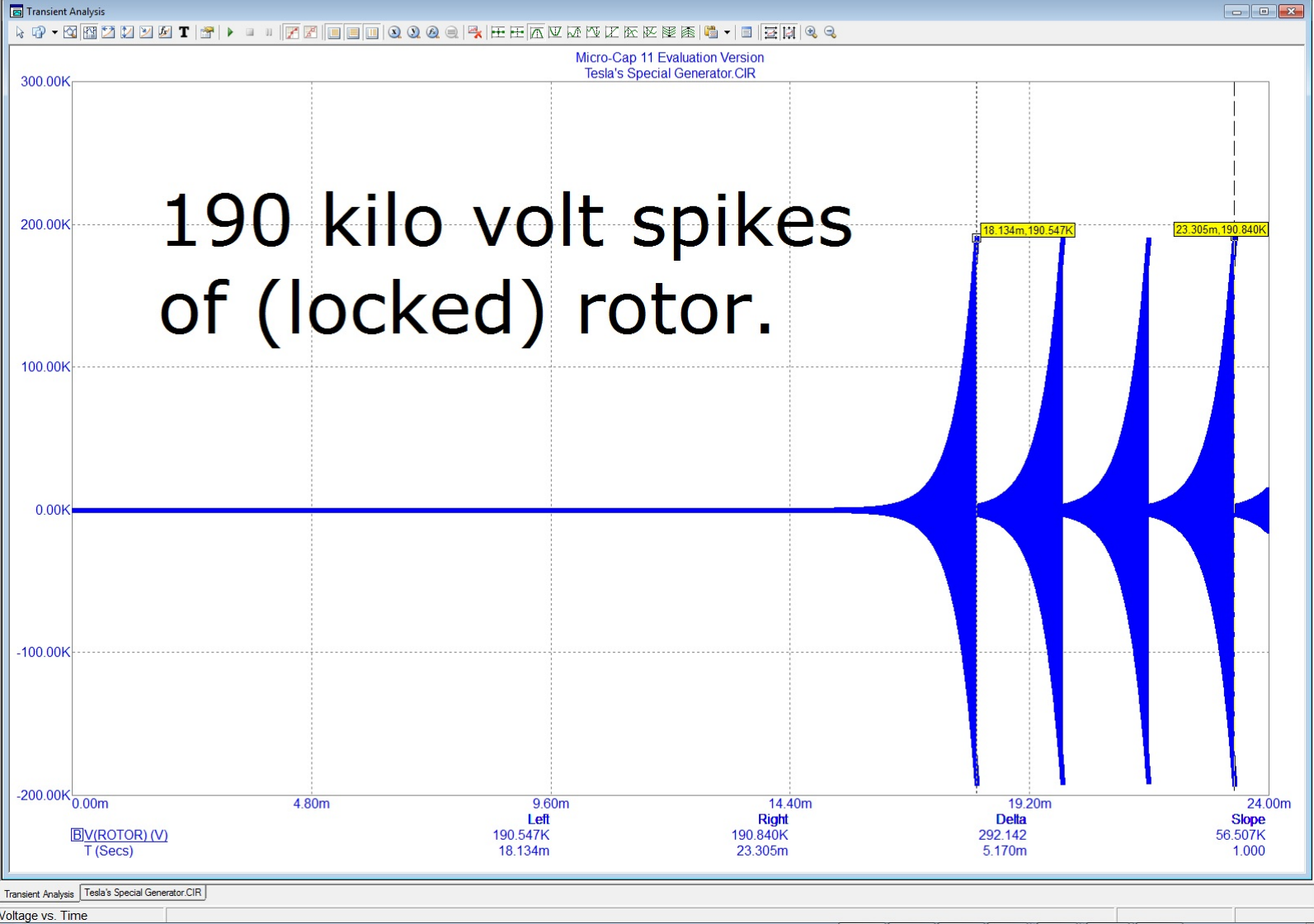




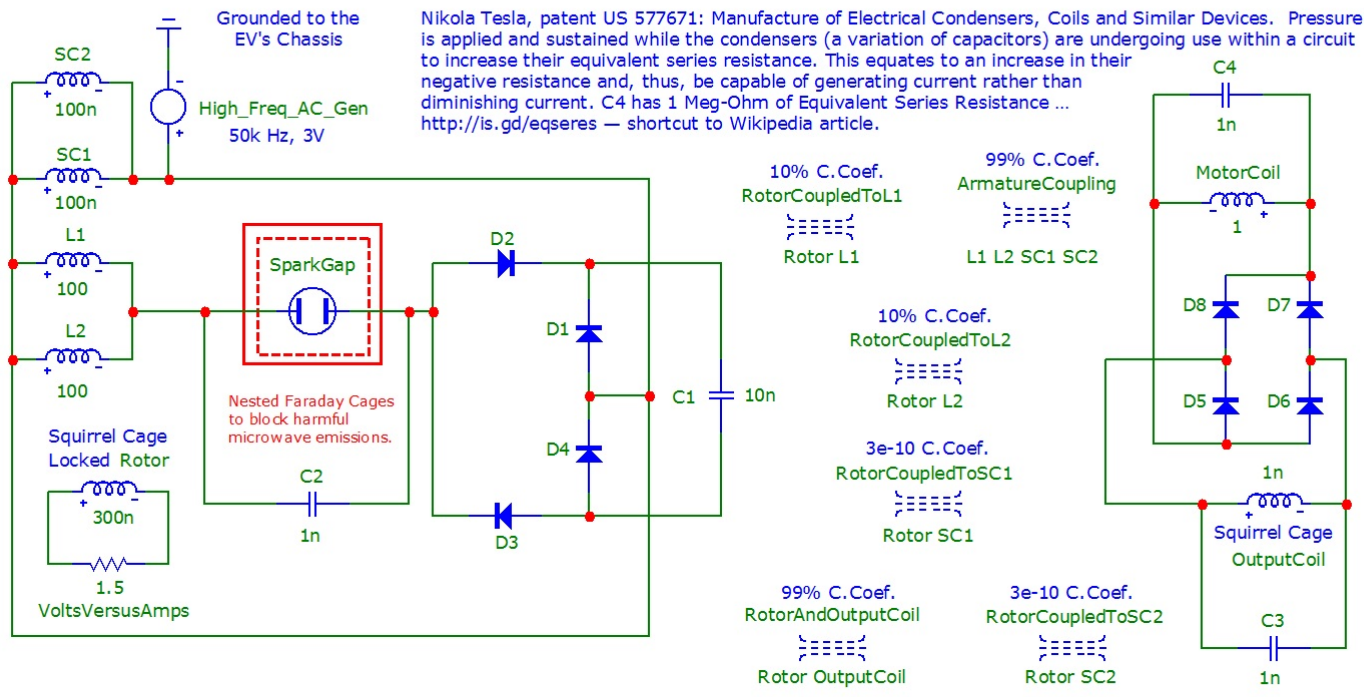




190 kilo volt spikes
of (locked) rotor.

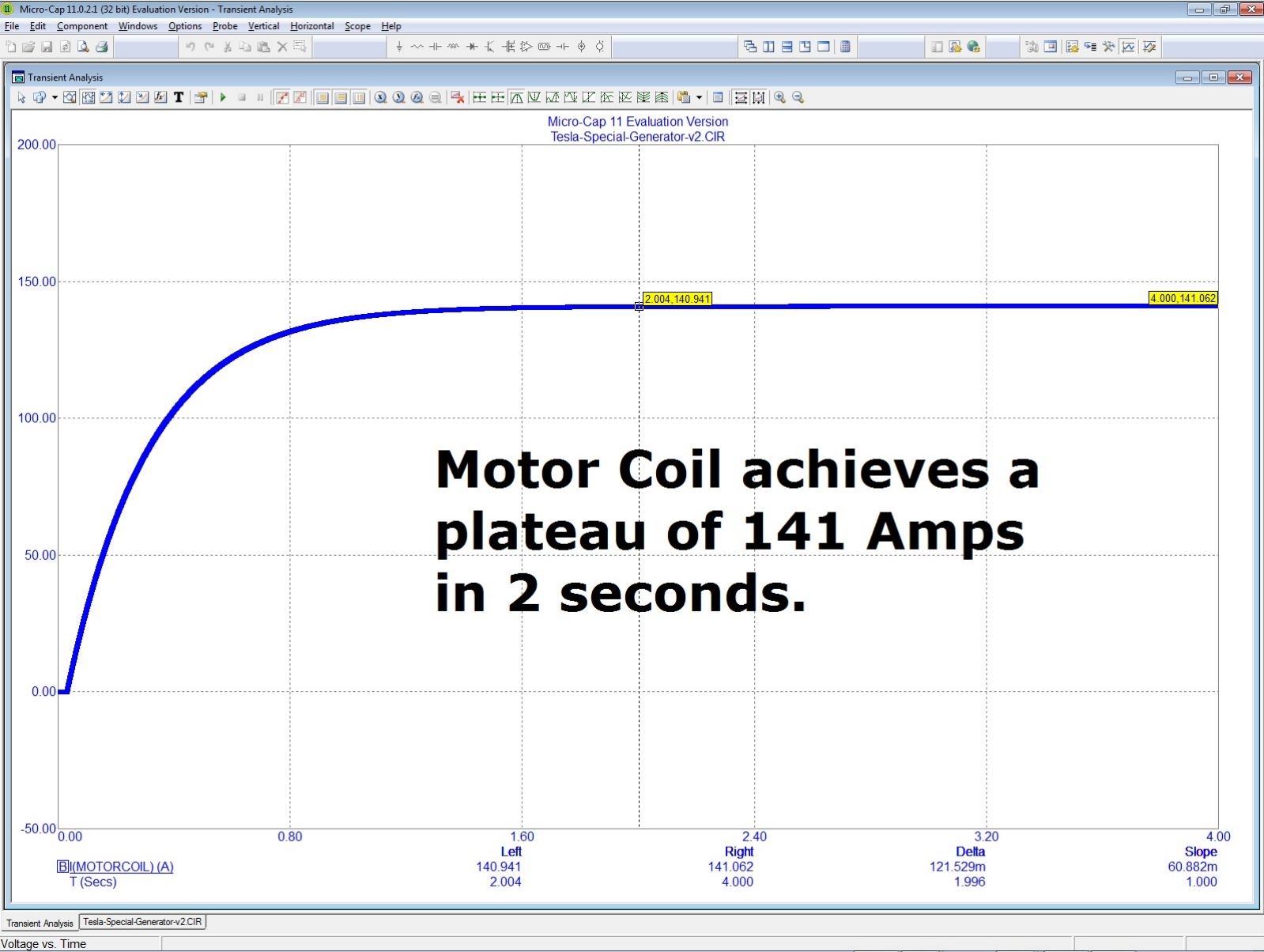


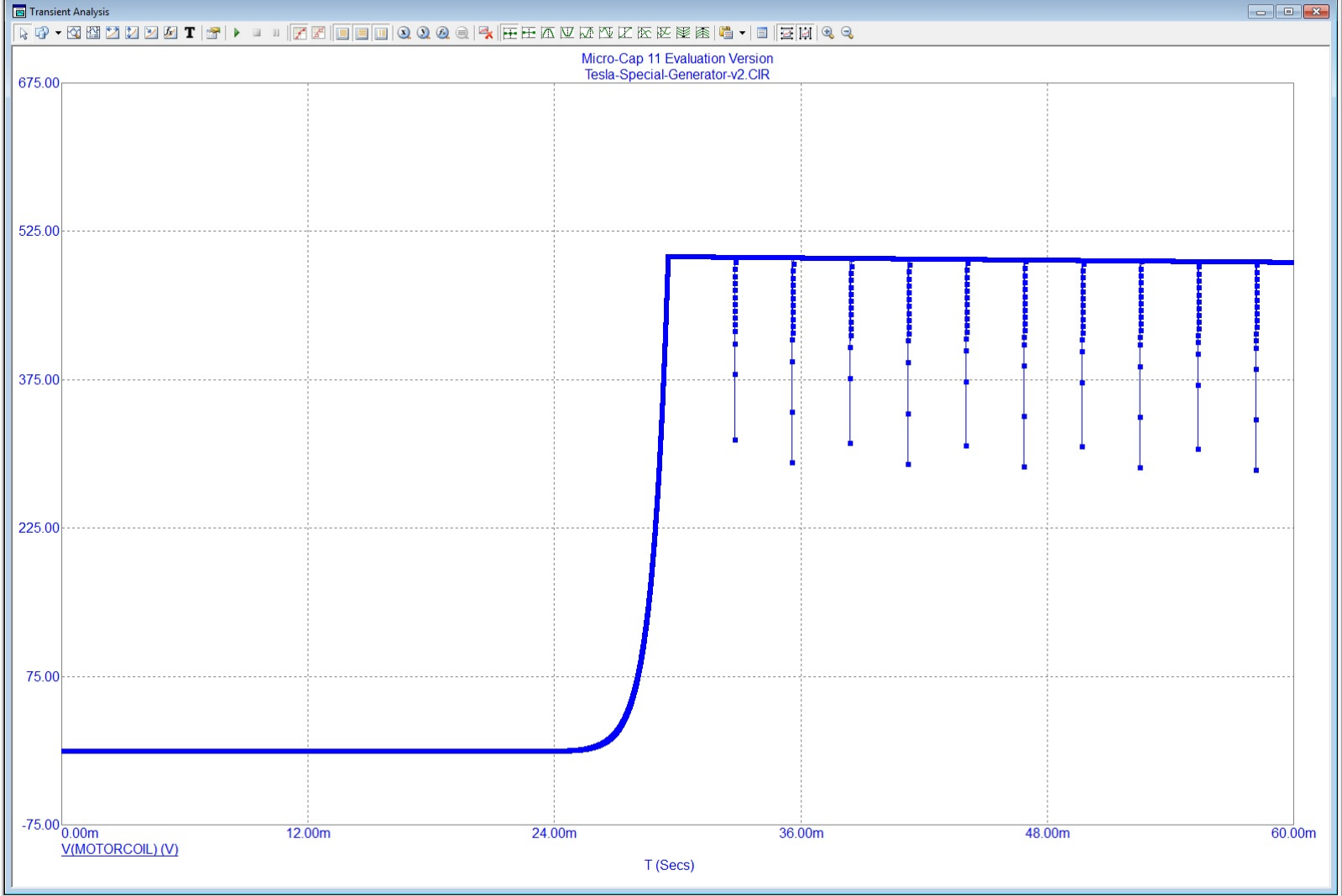
I spent a little time seeking an upgrade of efficiency (to this device) and succeeded in reducing the depth of voltage loss during each gap throughout the duration of the Motor Coil's D/C pseudo-flat output. This is at the expense of widening the gap to 3 milli seconds from its previous 1 micro second duration. The benefit is an increase of current from around 127 amps to approximately 141 amps. The base of each voltage gap also stays above zero volts unlike the prior version, [above](#), which eventually dips to negative ~50 volts below zero voltage.

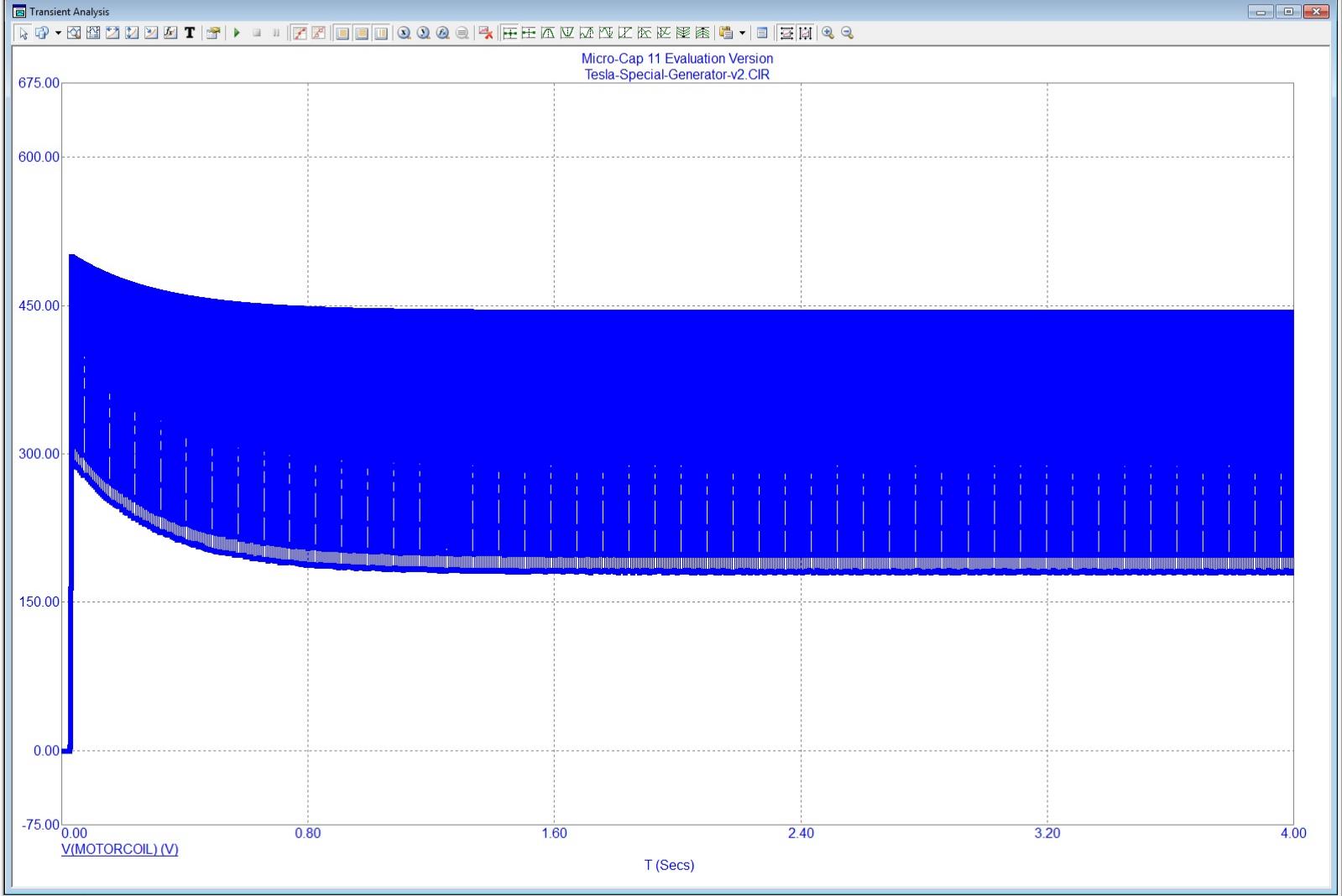


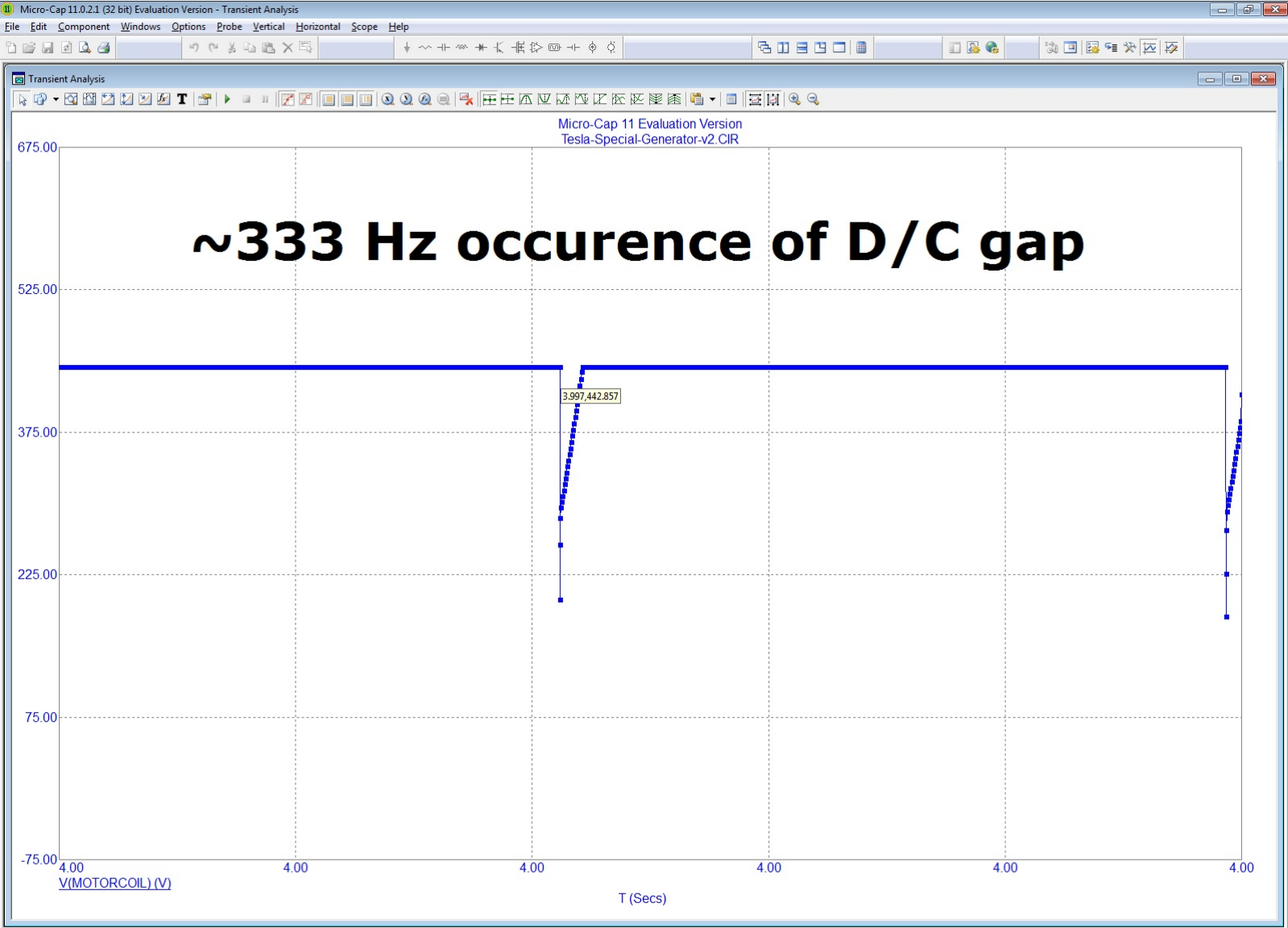
Nikola Tesla, patent US 577671: Manufacture of Electrical Condensers, Coils and Similar Devices. Pressure is applied and sustained while the condensers (a variation of capacitors) are undergoing use within a circuit to increase their equivalent series resistance. This equates to an increase in their negative resistance and, thus, be capable of generating current rather than diminishing current. C4 has 1 Meg-Ohm of Equivalent Series Resistance ... <http://is.gd/eqseres> — shortcut to Wikipedia article.

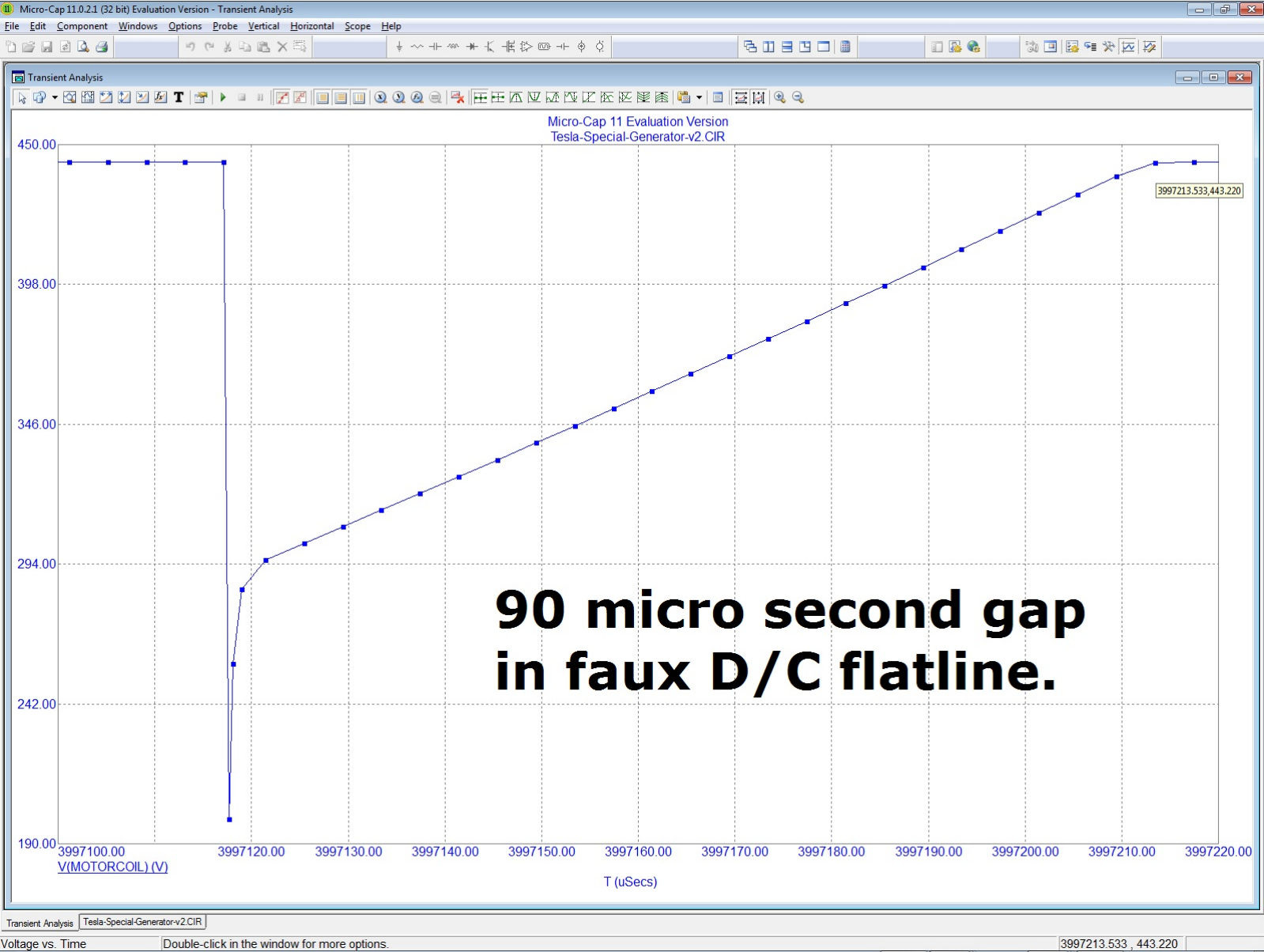
This is a 50kHz Solenoid Circuit supplying a transformer whose output is fully rectified to feed a D/C Motor. Or, this is a 50kHz single-phase induction motor oscillating Tesla's bladeless turbine at one end of an hydraulic transmission line and rotating a automobile's drive shaft at the other end with Tesla's one-way hydraulic valves in between the motor and the drive shaft. {Tesla's Valvular Conduit is his patented, one-way, hydraulic valve engaging no moving parts.} The non-hydraulic version fulfills Tesla's Special Generator having no moving parts and lasting 5k years! The hydraulic version fulfills Tesla's Pierce-Arrow demonstration of 1931 in Buffalo, New York.

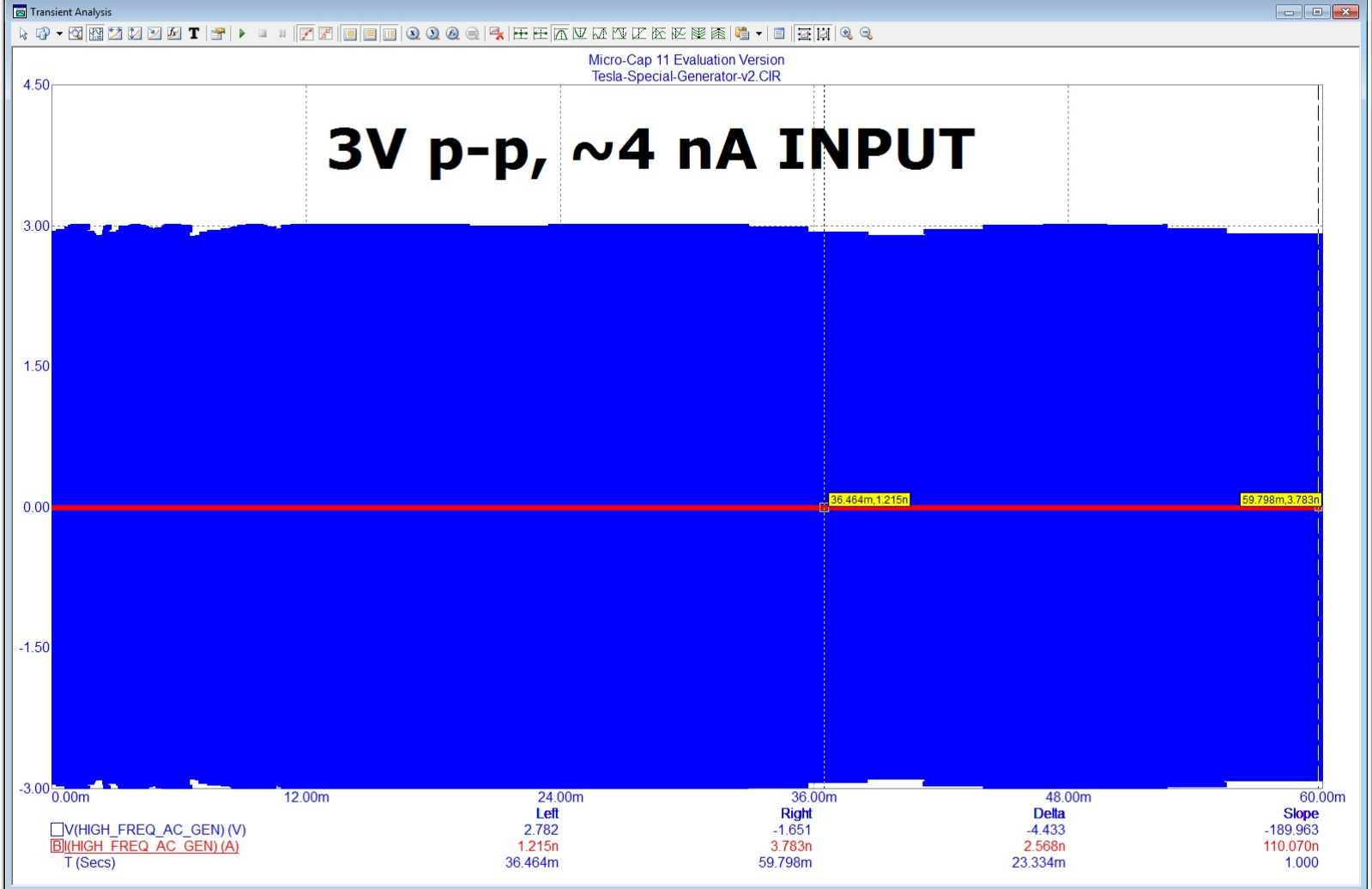


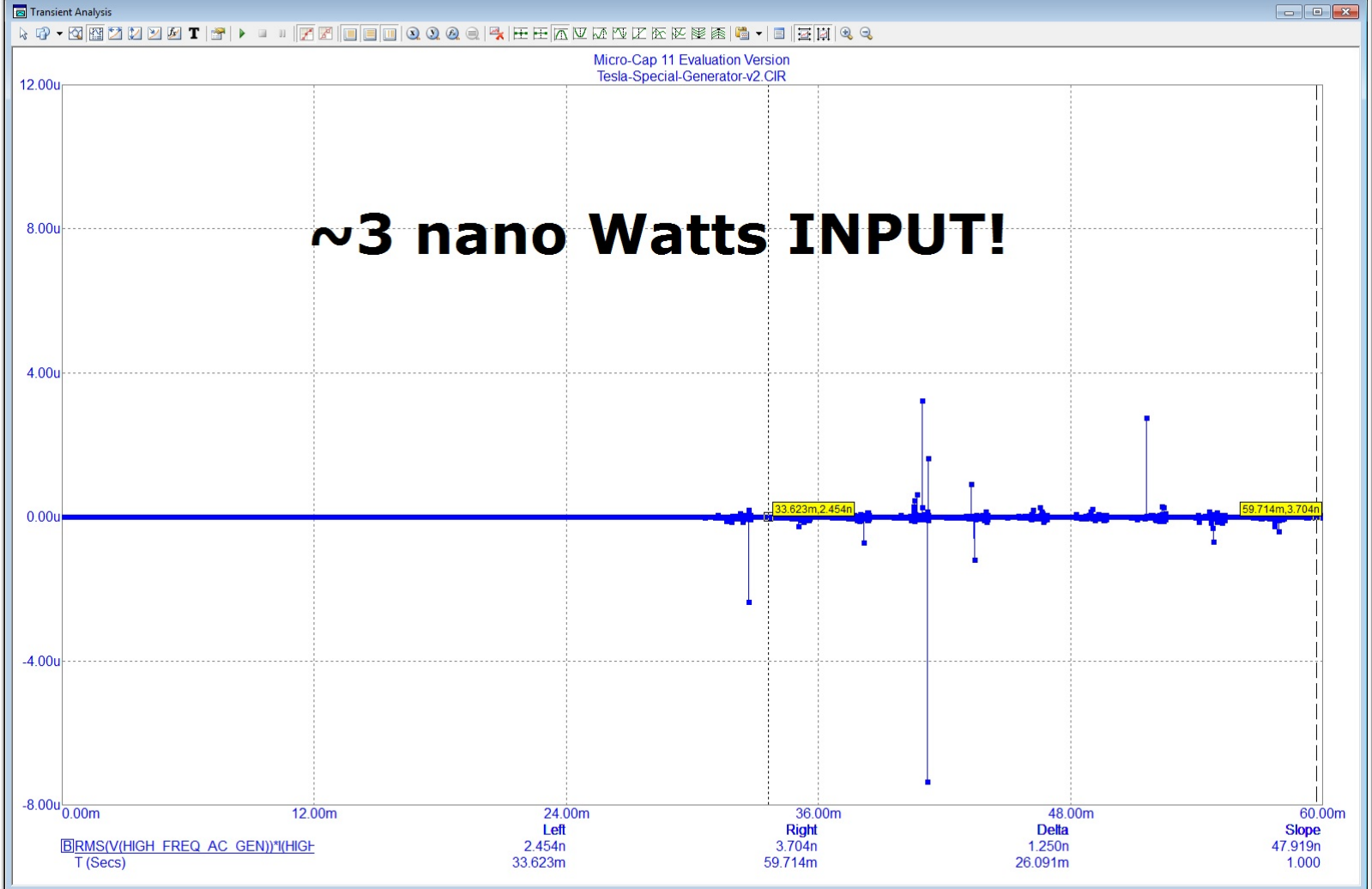












Circuit Simulation Hints

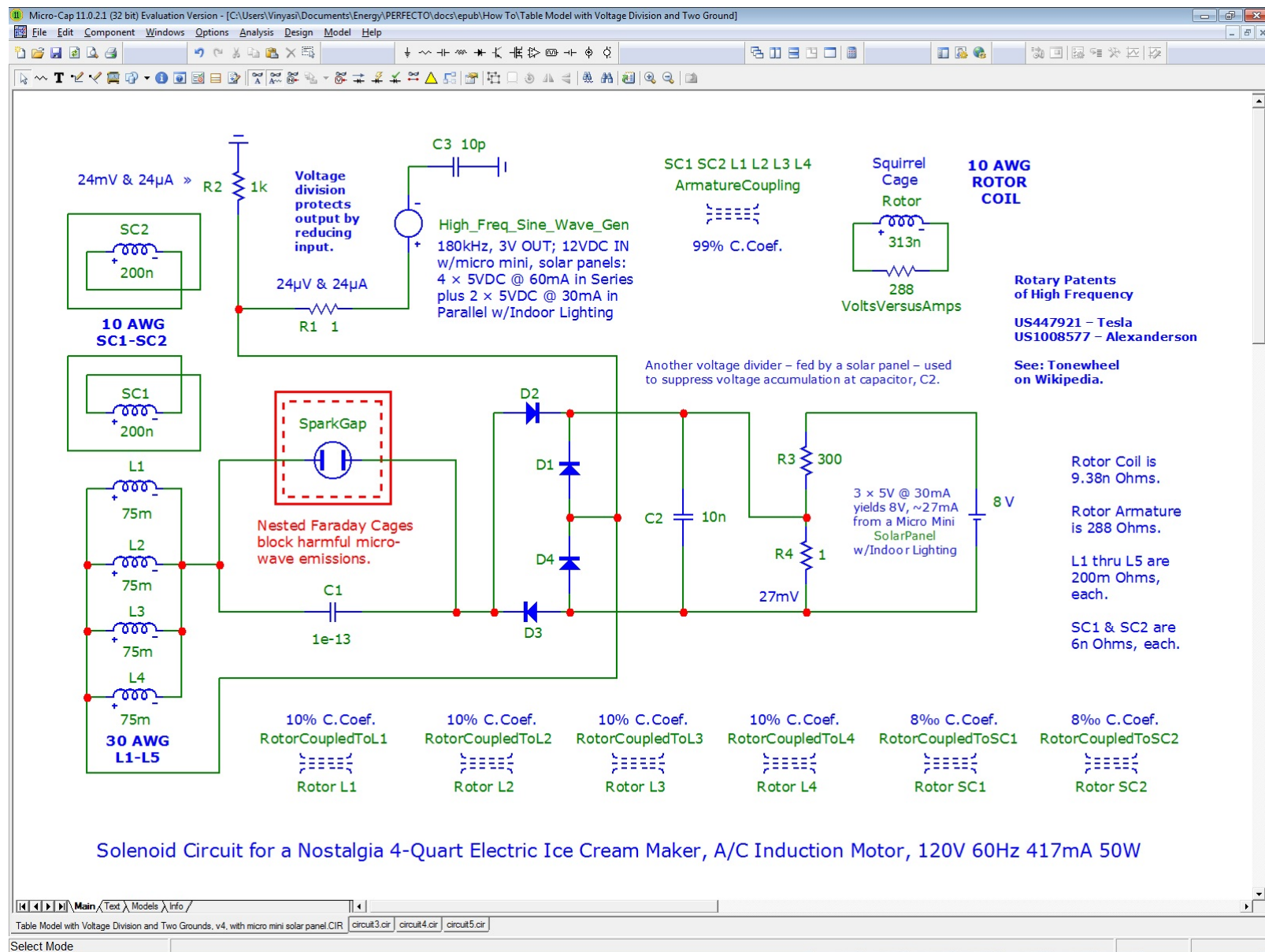
The L1 and L2 coils' inductance must be greater than the inductance of the D/C motor load-coil in order to initiate a surge in overall power.

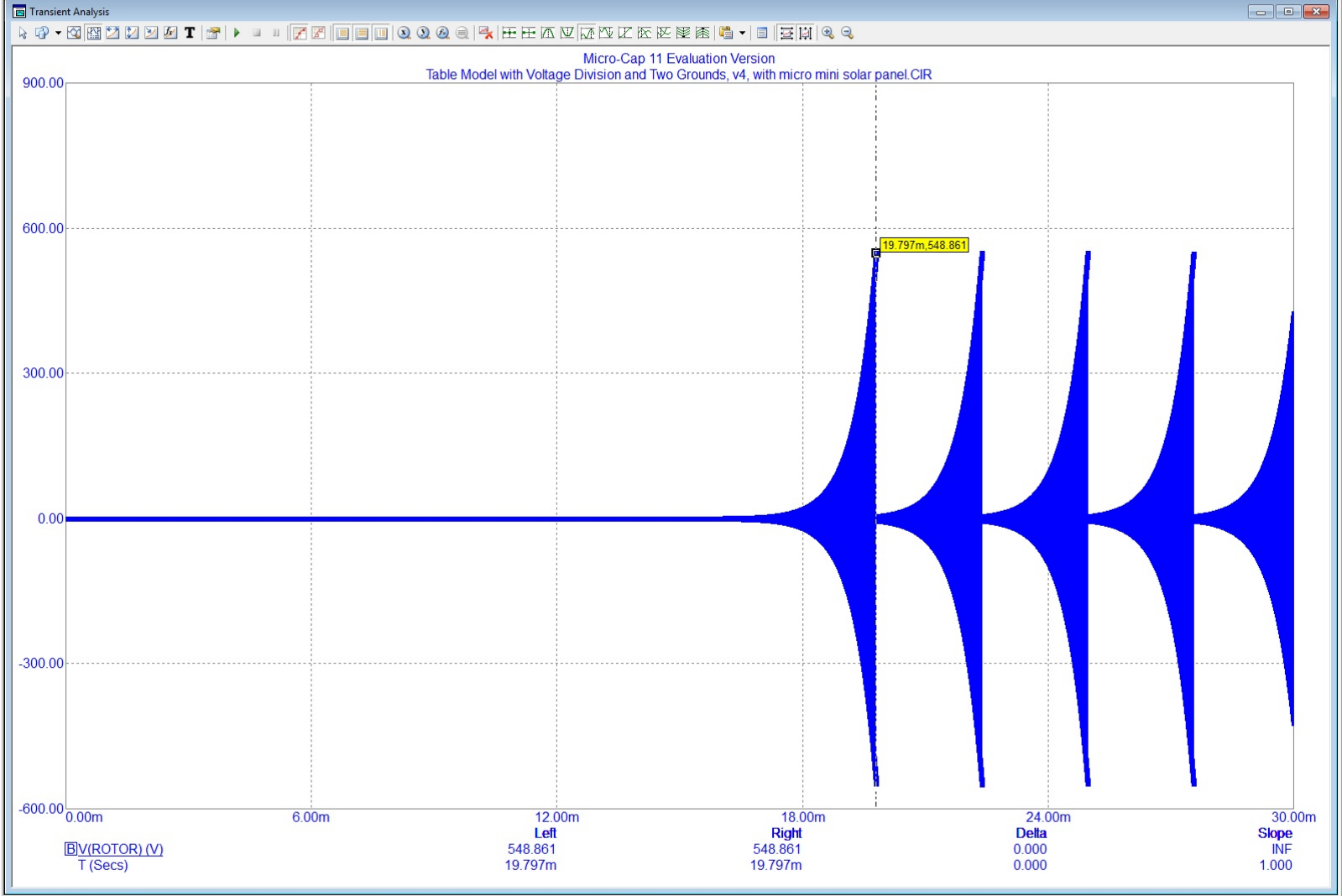
And there are two, common error messages to have to deal with in this Micro-Cap simulation ...

1. **Matrix is singular** – this means that the surge has exploded to infinity! The solution is to increase the mechanical (hydraulic) pressure being applied upon, aka. the simulated equivalent series resistance of, capacitor C1. This will encourage C1 into becoming more of a current source rather than merely being a passive component and to have more dynamic involvement in determining the outcome of initiating an overunity condition within itself to spread throughout this circuit.
2. **Internal time step too small in transient analysis** – this means that the simulator's ability to approximate the outcome of a simulation is being too heavily taxed. To ease up, all parameters must be rounded to the nearest power of ten. This includes any parameters which are not normally seen up-front. For instance, a coil's inductance is normally visible on a circuit schematic (diagram), but its equivalent series resistance is not visible. Both the visible, as well as the not-so-visible, parameters are all held accountable to this limitation (of the simulator) whose optimal computation window is bounded by logarithms to the base of ten.

Two of my previous circuits for comparison

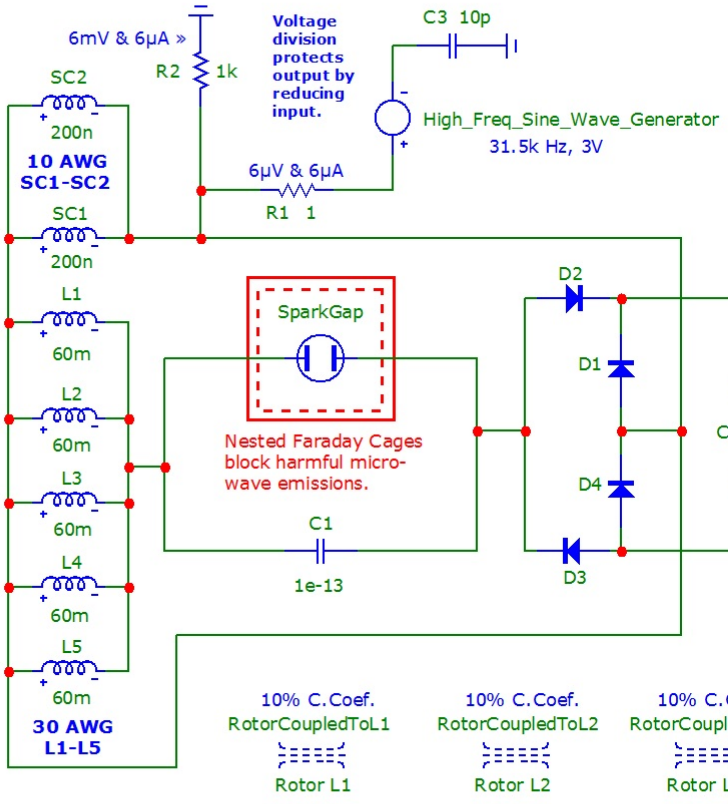
These cannot turn a solid, non-hydraulic motor shaft since their alternations are too rapid for spinning a motor. All they can do is vibrate ...



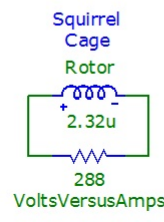


Transient Analysis Table Model with Voltage Division and Two Grounds, v4, with micro mini solar panel.CIR

Voltage vs. Time



10 AWG ROTOR COIL



Rotary Patents of High Frequency
 US447921 – Tesla
 US1008577 – Alexanderson
 See: Tonewheel on Wikipedia.

Rotor Coil is 72.5n Ohms.
 Rotor Armature is 288 Ohms.
 L1 thru L5 are 200m Ohms, each.
 SC1 & SC2 are 6n Ohms, each.

Stabilize the circuit by precharging C2 and periodically swap its connections.

99% C. Coef. ArmatureCoupling
 SC1 SC2 L1 L2 L3 L4 L5

8‰ C. Coef. RotorCoupledToSC1
 Rotor SC1

10% C. Coef. RotorCoupledToL1
 Rotor L1

10% C. Coef. RotorCoupledToL2
 Rotor L2

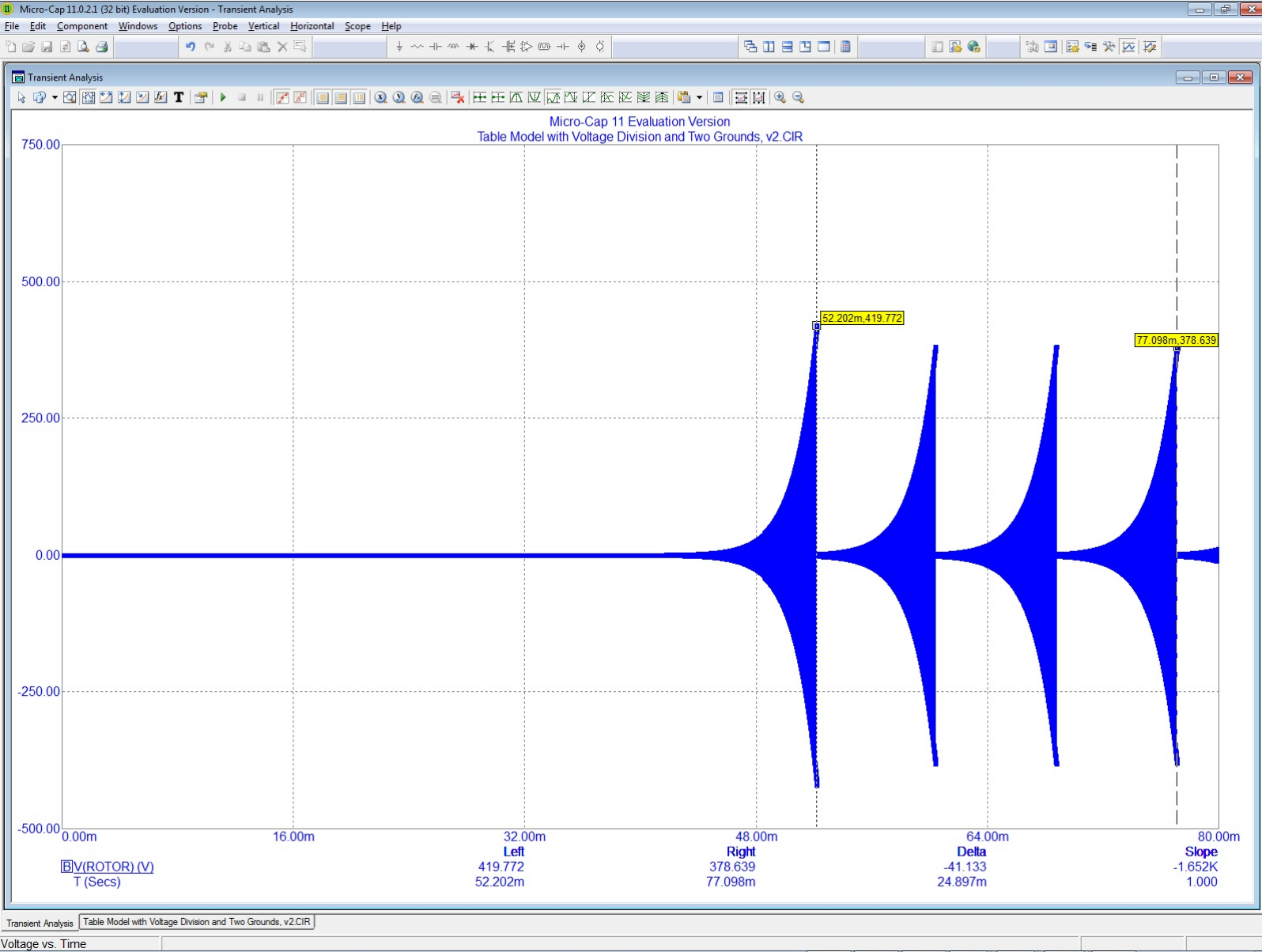
10% C. Coef. RotorCoupledToL3
 Rotor L3

10% C. Coef. RotorCoupledToL4
 Rotor L4

10% C. Coef. RotorCoupledToL5
 Rotor L5

8‰ C. Coef. RotorCoupledToSC2
 Rotor SC2

Solenoid Circuit for a Nostalgia 4-Quart Electric Ice Cream Maker, A/C Induction Motor, 120V 60Hz 417mA 50W

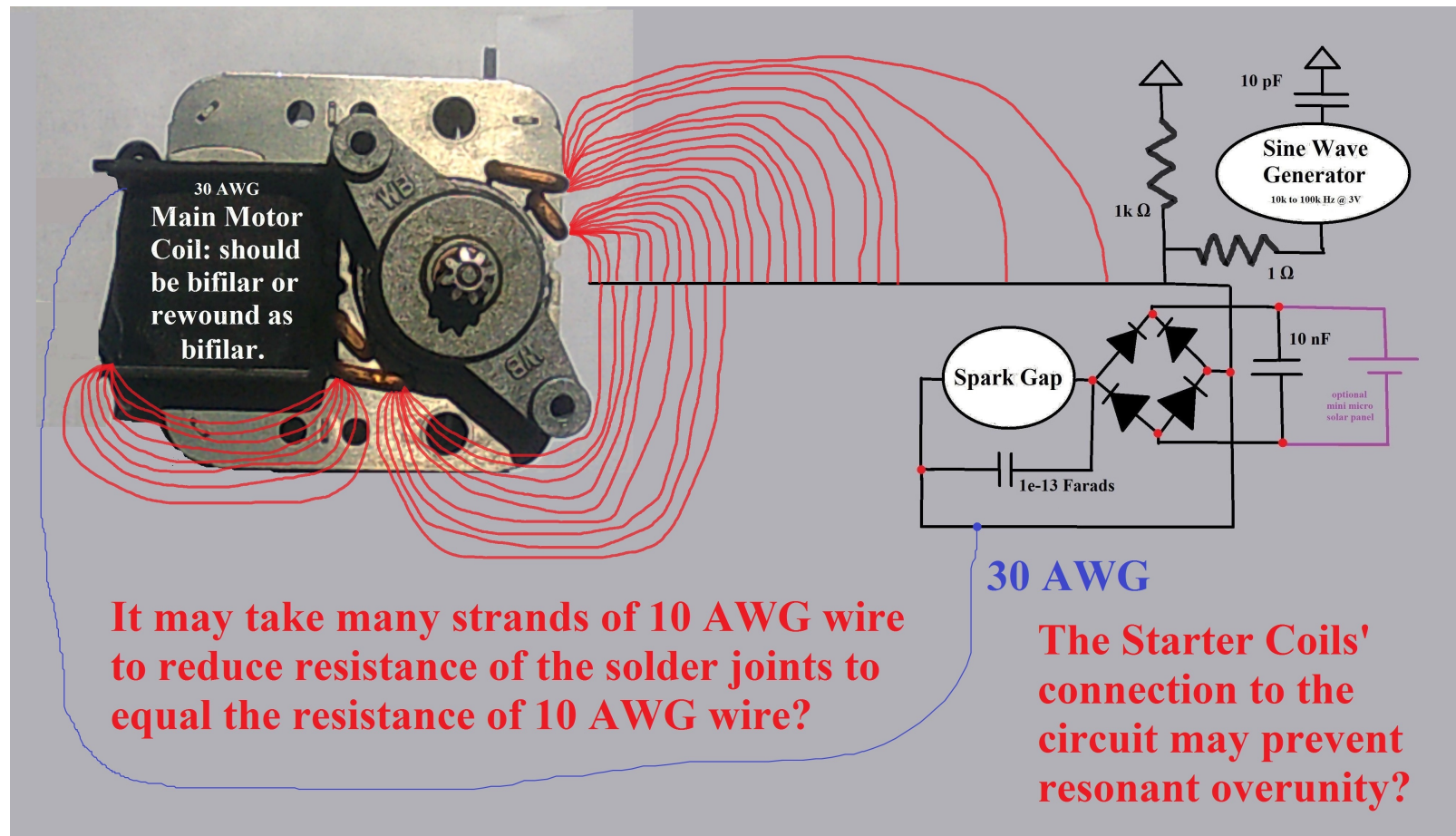


Download the [Micro-Cap Simulation Files](http://vinyasi.info/energy/tesla-special-generator.zip)

<http://vinyasi.info/energy/tesla-special-generator.zip>

The following are how-to-build hints ...

... concerning the problem of resistance in the joints connecting together various parts of my circuit where resistance is *not* your friend!



Connections to an Off-the-Shelf, Single-Phase, Induction Motor

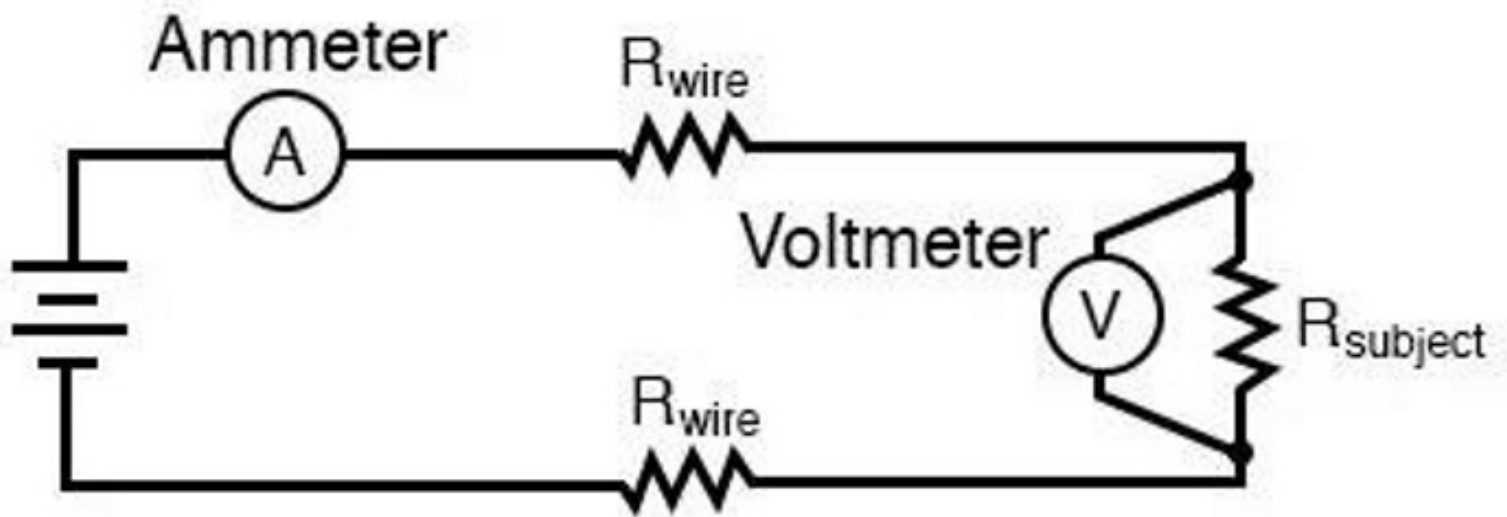
The picture, above, shows what may be necessary when soldering a connection from my circuit to an electric motor along whatever paths of current which require very little resistance (represented by resistance equivalent to that of a 10 AWG wire, but divided up here into many separate strands of wire). It may be necessary to solder many parallel connections in order to divide the current and divide the resistance of each solder joint so as to be equivalent to a welded connection. Or, in the alternative, you may elect to use merely one 10 AWG wire welded between its connections – especially if you are limited in available space.

For instance, let's say you're trying to adapt a kitchen appliance and there isn't much room for stuffing additional wires into the cabinet of the appliance. So, you may want to weld the 10 AWG connections rather than solder multiple wires.

Of course, this is presuming that an off-the-shelf single-phase, induction motor can be adapted to my concept? What if it won't be able to rotate the motor's shaft unless adapted to power a D/C motor with the [extra circuitry as noted above](#)? Then, ignore trying to build this circuit ([as you see it here](#)) and use the slightly more complicated one instead.

The following graphic enlightened me as to how to take a measurement of resistance of any component in which you may find yourself not able to measure its resistance any other way except by *inferring* it

from its voltage and its amperage ...



$$R_{\text{subject}} = \frac{\text{Voltmeter indication}}{\text{Ammeter indication}}$$

Pretty cool, huh?

Solving Drive-Shaft Rotation Challenges

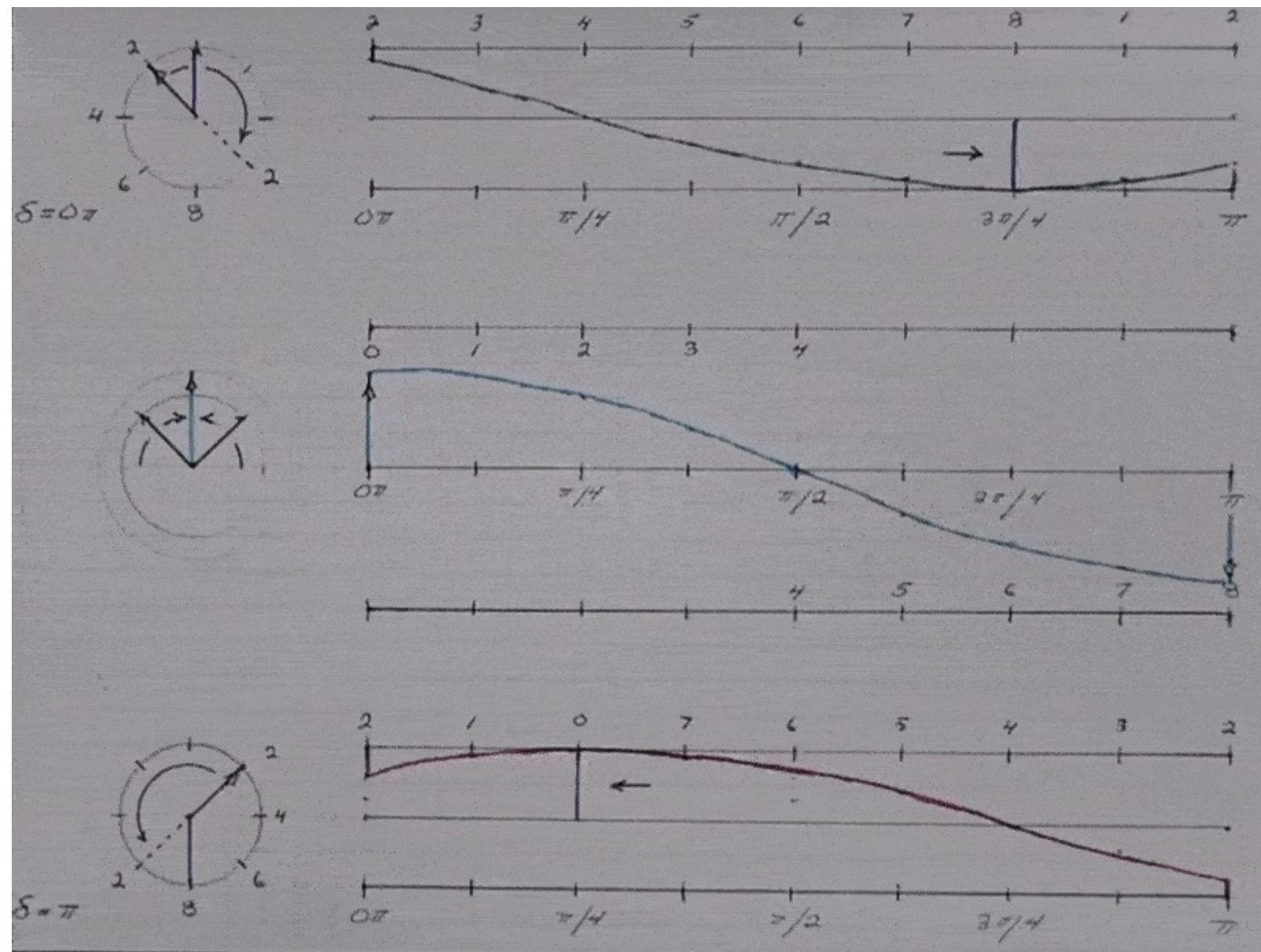
When you've got a moderate frequency, overunity circuit driving a motor-shaft, the challenge will be to rotate the drive-shaft. For, the drive-shaft will want to spin at a much slower rate (of maybe 30 Hz – 1,800 RPM, or less) while the motor-shaft is being alternately shook (vibrated) at 50,000 Hz (300,000 RPM) or more if this were operating under a positive power factor (which it isn't)! What to do?

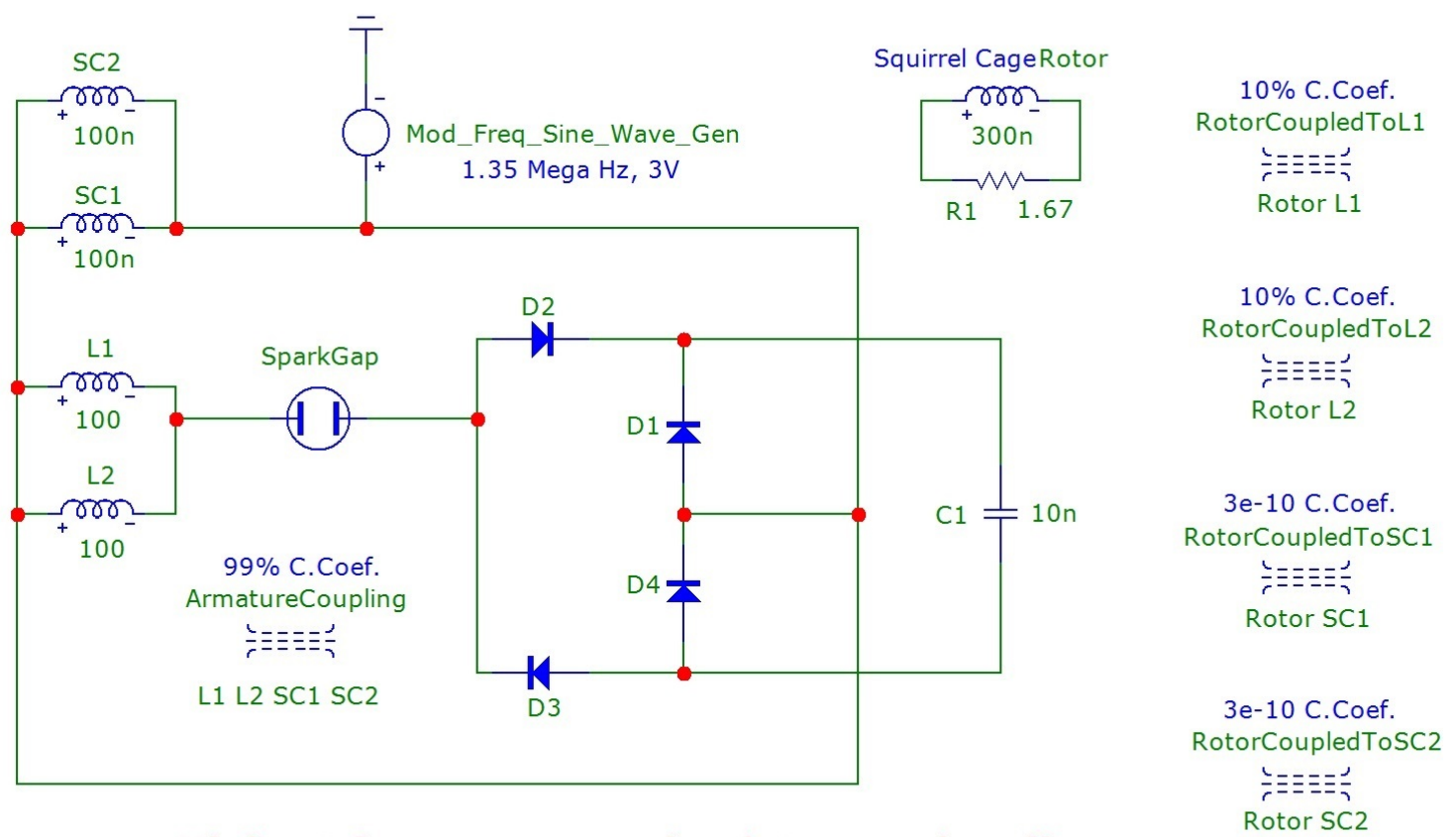
There are several options (some of) which are solutions (except for: [#1](#), [#2](#) or [#3](#) which will *not* solve this particular challenge involving high frequency alternations) ...

1. [Joseph Newman](#) used a commutator to create a low frequency, square wave so as to keep his rotation speed down to a few cycles per second. Since his device was putting out lots of torque (suitable for pumping water as he oftentimes demonstrated), it did just fine. This, despite the fact that his slowly rotating bar magnet was not a magnet after all, but a canister filled with helium excited by an open coil wrapped around it. This produced high frequencies suitable for rigging his device for overunity. Most people don't know of this secret which Newman kept all to himself. So, they fail to get overunity. And so did he fail before he took this advice from Byron Brubaker way back around 1986 (if I remember correctly from Byron's account). But this commutator requires a large pack of 9V batteries all wired in series to create approximately 300V. My device, herein, and in all of its variations, is a direct descendent of my successful simulation of the Newman device based on its analysis by Dr. Hastings shared with us in chapter six of Newman's book, entitled: "[The Energy Machine of Joseph Newman](#)".
2. Tesla invented starter coils for induction motors to convert their low frequency alternations (of 50-60 Hz) into continuous rotation by offsetting their alternations at a 45° angle. This was just enough to solve the problem of how to convert A/C into D/C without sacrificing anything.
3. Grooved Disks: both variations of this solution satisfies a no-load (synchronous) generator operating at a moderate frequency of around 10k Hz, or so, upwards to much higher frequencies of 100s of thousands of cycles per second. This will **not** fulfill the load requirements of a motor undergoing demands for acceleration (such as driving an EV up a hill).
 1. Radial slots cut out along its edge: this is in contrast to a [tonewheel](#) which has serrations cut out along its edge. This was Ernst Alexanderson's technique for achieving a [high frequency alternator](#).
 2. Tesla [cut out radial grooves](#), rather than cutting out radial slots, along both sides of a disk.
4. [Create a beat frequency](#) by inputting two sine waves whose ratio difference is the target for rotating the motor's drive shaft. This is **the ideal way** to rotate a motor shaft without any complicated gimmickry (enumerated above and below this point). Choose a ratio similar to conventional motors, such as: 60 Hz.
 1. Tesla appears to have favored the use of a ratio of [80 Hz](#) due to Thomas Commerford Martin citing Tesla during one of his lecture-demonstrations concerning his Special Generator, plus his use of a two meter aerial on the backside of his 1931 Pierce-Arrow versus the one inch pair of aerials (also acting as switches) on top of his project box placed next to him on his right, front passenger seat.
 2. If we [do the math](#)... A two meter aerial favors the reception of the quarter wavelength equivalent to a 37.474 Mega Hz frequency while a one inch (2.54cm) aerial will favor a 2.9507 Giga Hz frequency. Their ratio is a frequency difference of: 78.74 Hz.

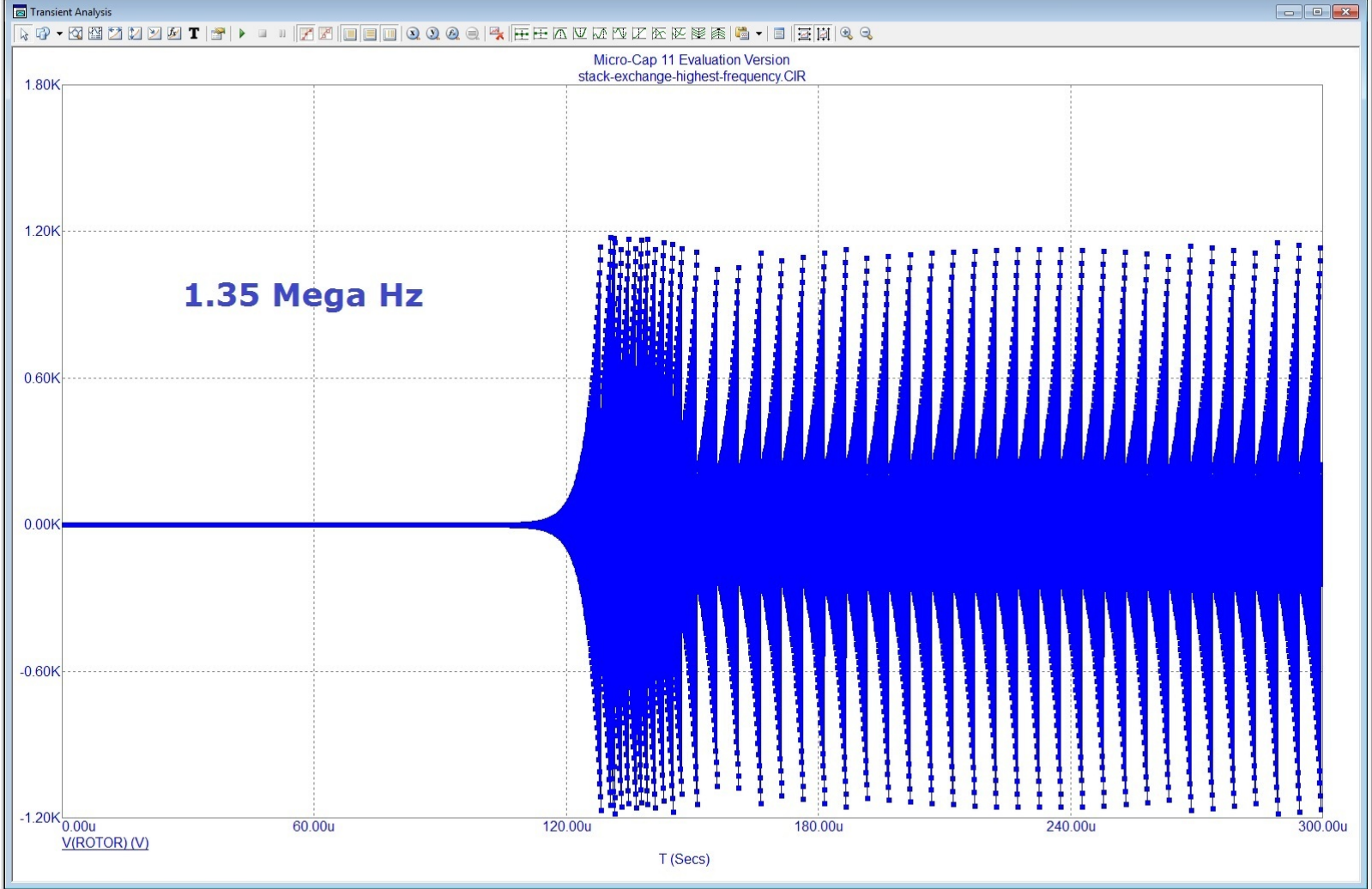
3. I've sought in vain within my simulations for signs of this beat frequency several months ago when I first discovered this probable technique of Tesla only to discard it. For, I couldn't imagine how it could have sufficient amplitude to rotate a rotor. To top it off, this circuit design of mine is operating – for the most part – in the negative power factor range. So, how could it possibly rotate a motor shaft?!! But I've become more forgiving as time rolls by. I've concluded that, although all of the power is caught up in a half-cycle displacement of current versus voltage, all this motor needs to rotate itself is a "tipping point" so-to-speak. That's the purpose of the beat frequency: not to provide all of the power, but to provide the necessary incentive to rotate an already powerful condition by creating a slight imbalance to what is very balanced (indeed: namely, the negative power factor condition inherent within this motor's overunity). This will tip the rotor forward into rotation.
5. A hydraulic transmission translates rapid alternations at the motor shaft into continuous rotation at the drive shaft. This keeps the circuit simple requiring no extra sub-circuit to convert A/C to D/C. Plus, we get to make use of two of Tesla's patents ...
 1. Tesla's [bladeless turbine](#): situated at either end of this hydraulic transmission. At one end will be the motor shaft (connected to this circuit). And at the other end will be the drive shaft (connected to the wheels). And in between both ends, and all along the hydraulic conduit, will be ...
 2. Tesla's [one-way hydraulic valve](#) with (no moving parts) which he preferred to call his: [valvular conduit](#).
6. Electrical conversion of A/C into D/C along with suppression of a component's saturation via two novel methods depending on which of two components (necessary for the synthesis or decomposition of electricity) are being suppressed. This suppression will result in altering the [equivalent series resistance](#) for that component ...
 1. Suppression of capacitive saturation. This will *increase* a capacitor's equivalent series resistance and has two variations possible, namely ...
 1. Pressurize the capacitor in question, or ...
 2. Depressurize everything else. Ergo, place every other portion of the circuit (minus the capacitor in question) into a vacuum jar and extend the capacitor in question outside this vacuum environment either into the ambient environment of normal pressures (to which we are subjected to), or else embed this capacitor into the glass walls of its circuit's vacuum environment.
 2. Suppression of inductive saturation. This will *decrease* an inductor's equivalent series resistance and is performed upon a large coil (not upon the smaller coils in the same circuit) by magnetically coupling these larger coils to a very massive, ferromagnetizable hull or chassis of a submarine, battle ship or luxury car (such as the Pierce-Arrow which Tesla took advantage of during his 1931 demonstration of its conversion into an electric vehicle). The smaller coils will have the interesting property of having their mutual inductance increased beyond unity (namely, their coupling coefficient) between two or more small coils (which are magnetically coupled together, loosely or strongly) in a style reminiscent of a transformer configuration. Suppression of inductive saturation will also suppress back EMF, aka. counter-EMF. This, alone, is responsible for many an overunity motor. Here's an idealized example ...

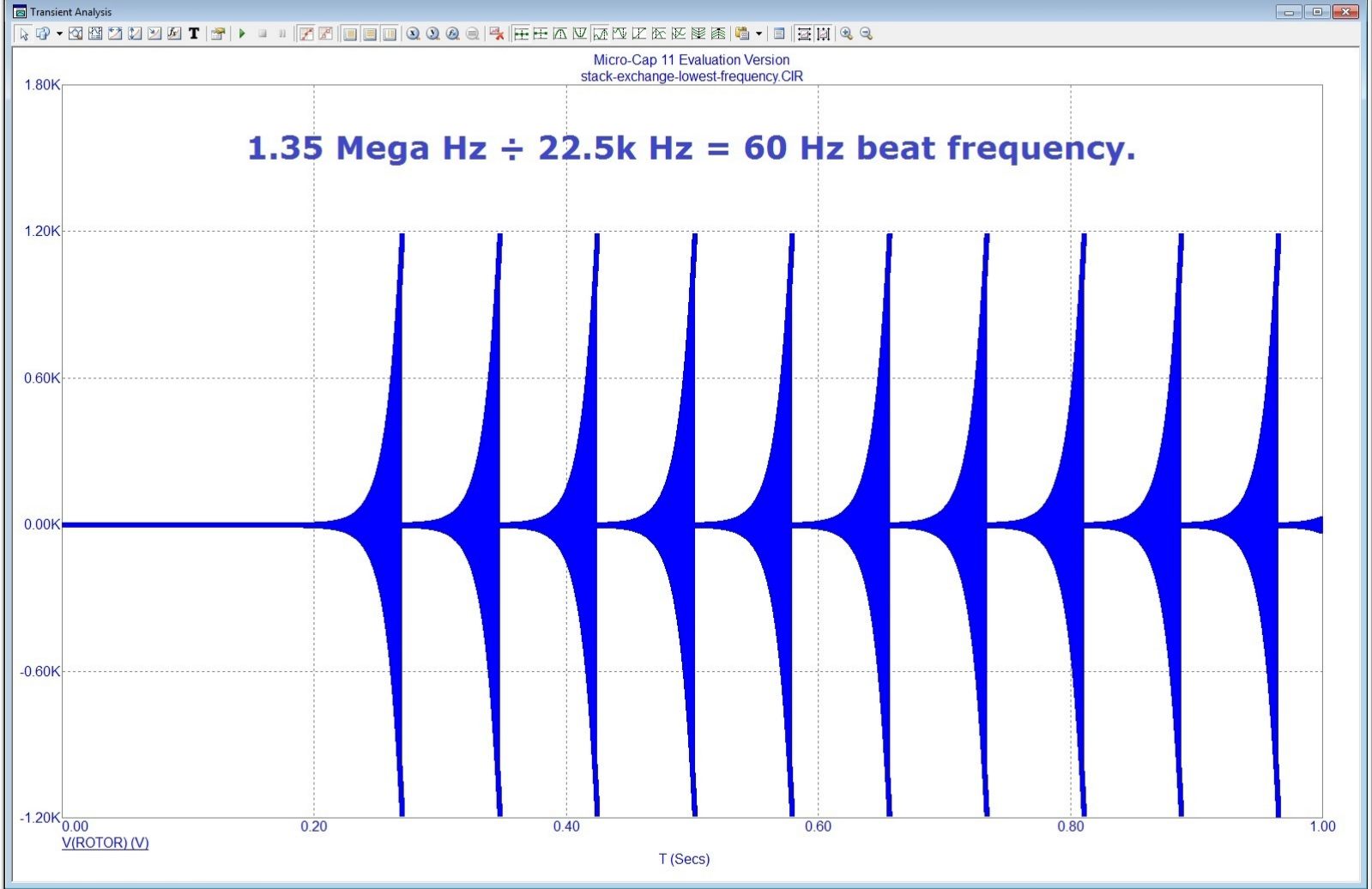
[Here is an image](#) of two sine waves, top and bottom, traveling in opposite directions along with their resultant in the middle corresponding to all of my circuits graphically depicted and described in this book whether or not you use [solution #5](#) up above. The two top and bottom waves move in either one direction or the other while the middle wave stays in one place and undulates with at least one nodal point of no motion. The top and bottom waves actually exist while their resultant does not. The resultant is the mathematical summation of the two top and bottom waves. So in a sense, the middle wave *does* exist as a combination of the two forces of the top and bottom waves. And at every point in time, the two top and bottom waves are 180° out-of-phase. This is **the condition** to achieve in my overunity device for free-energy to arise ...

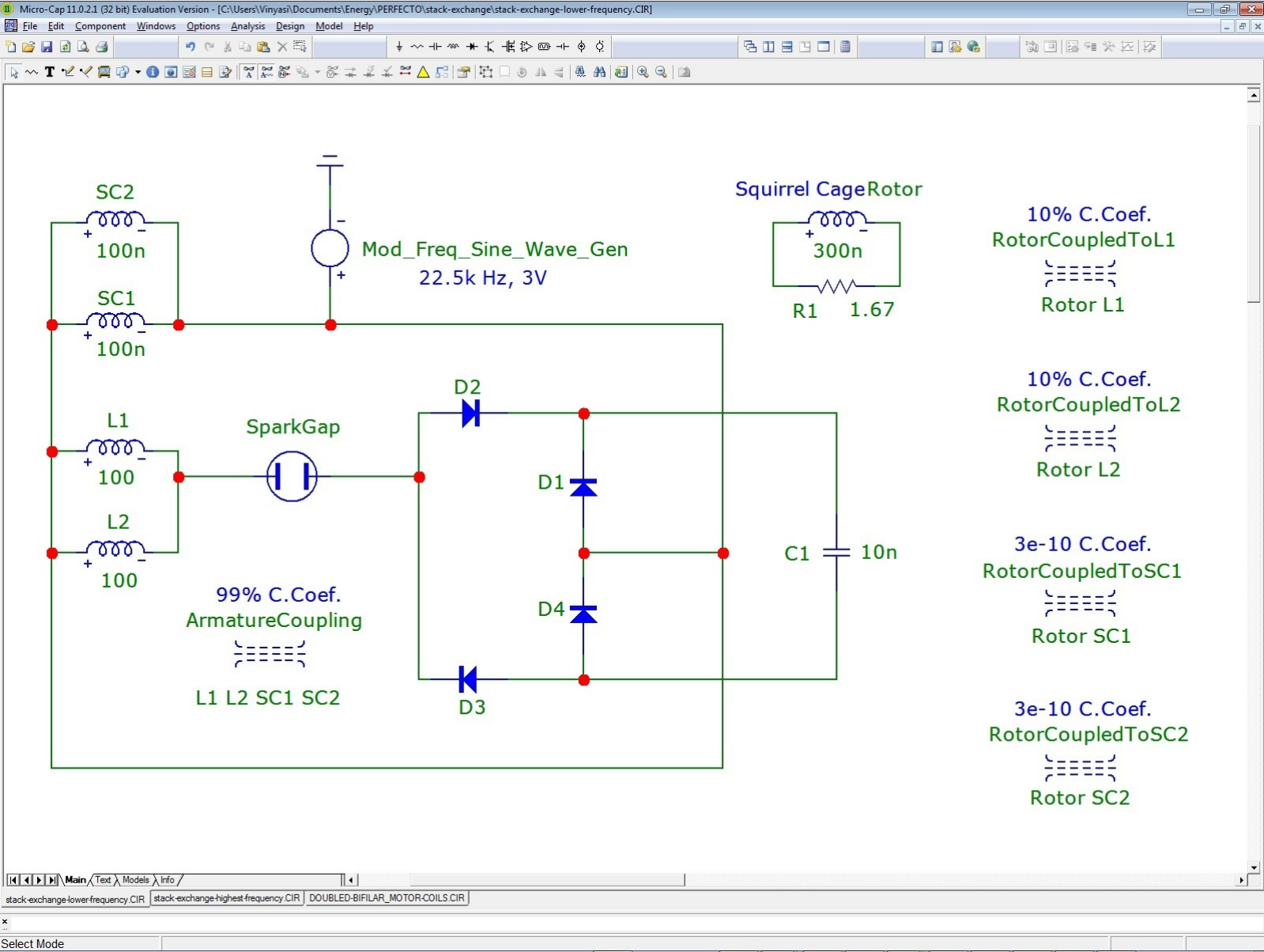


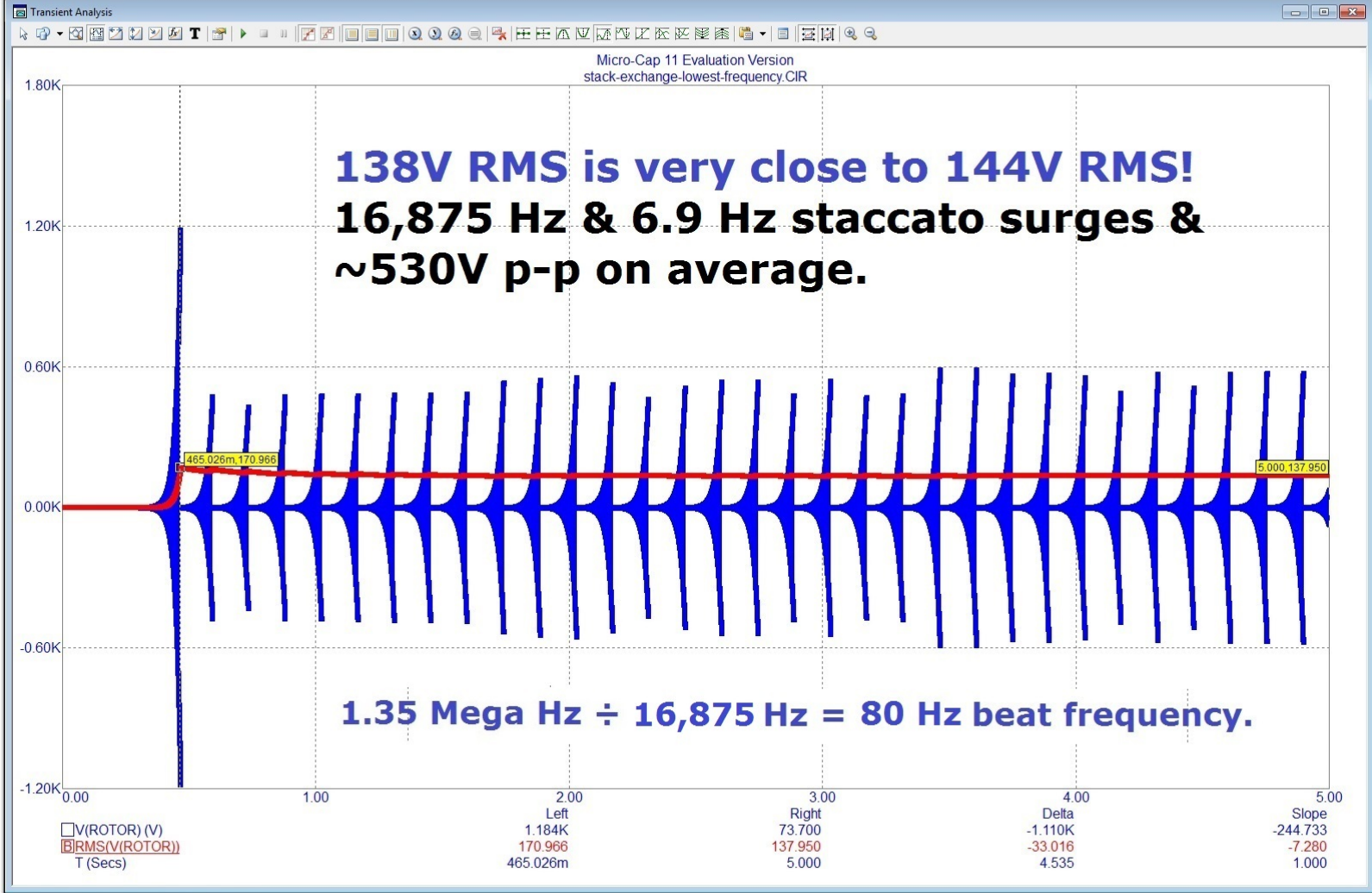


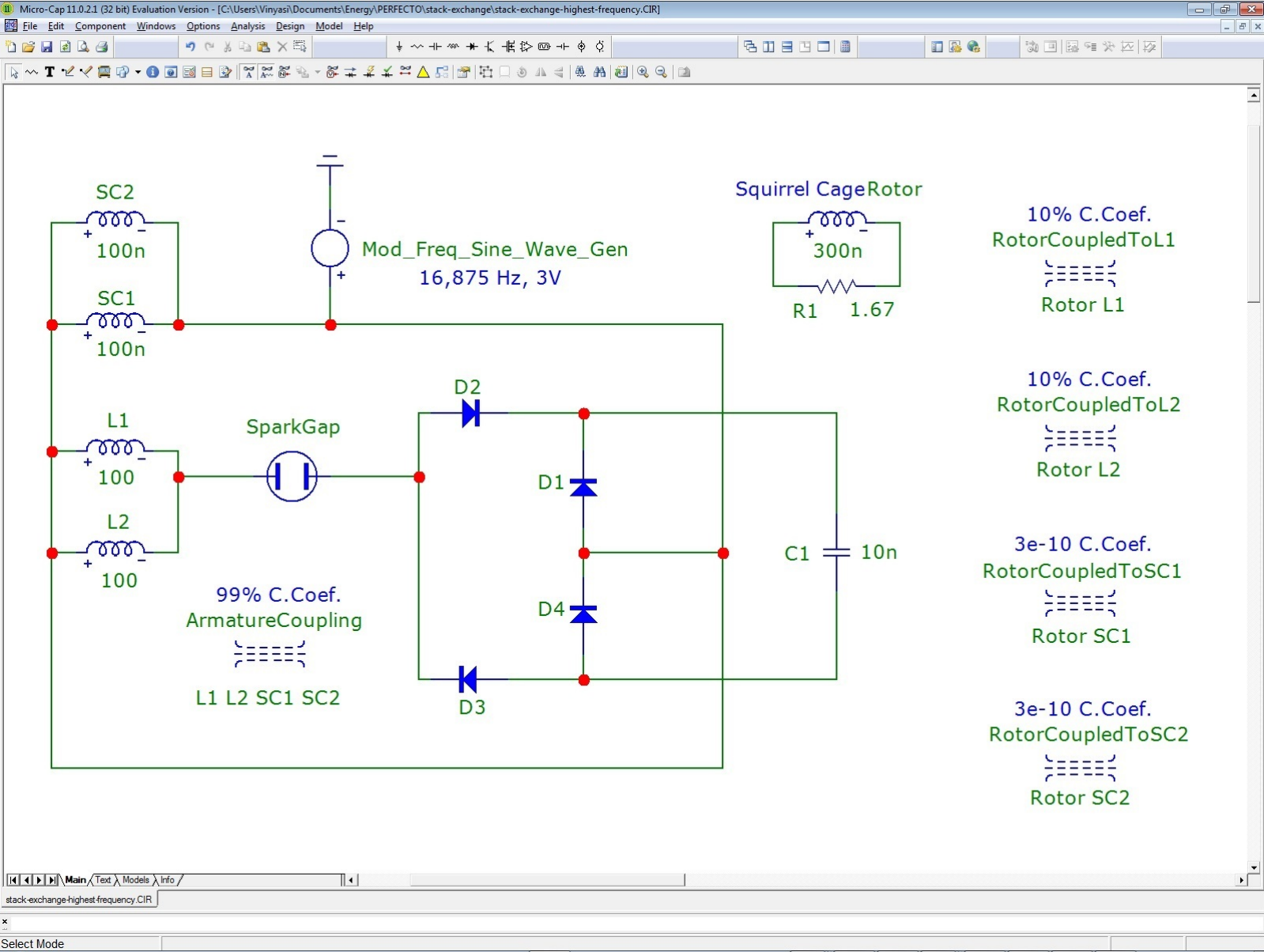
Highest frequency my simulator can handle.







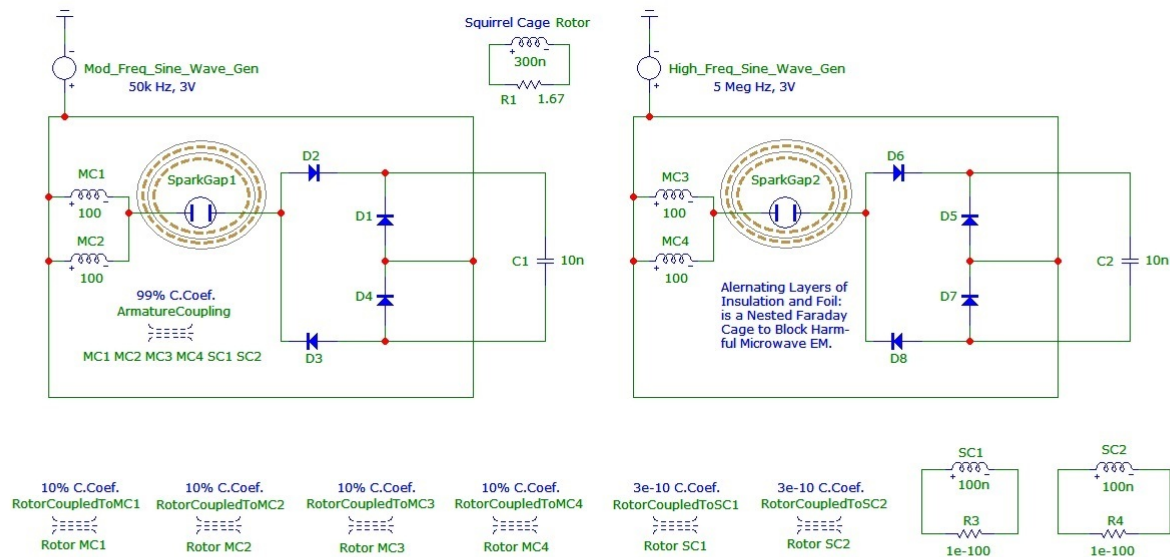




stack-exchange-highest-frequency CIR

Select Mode

This is an example illustrating the point since I can't simulate this, for this goes beyond my budget requiring a full registration of Micro-Cap (too many components and nodes)...

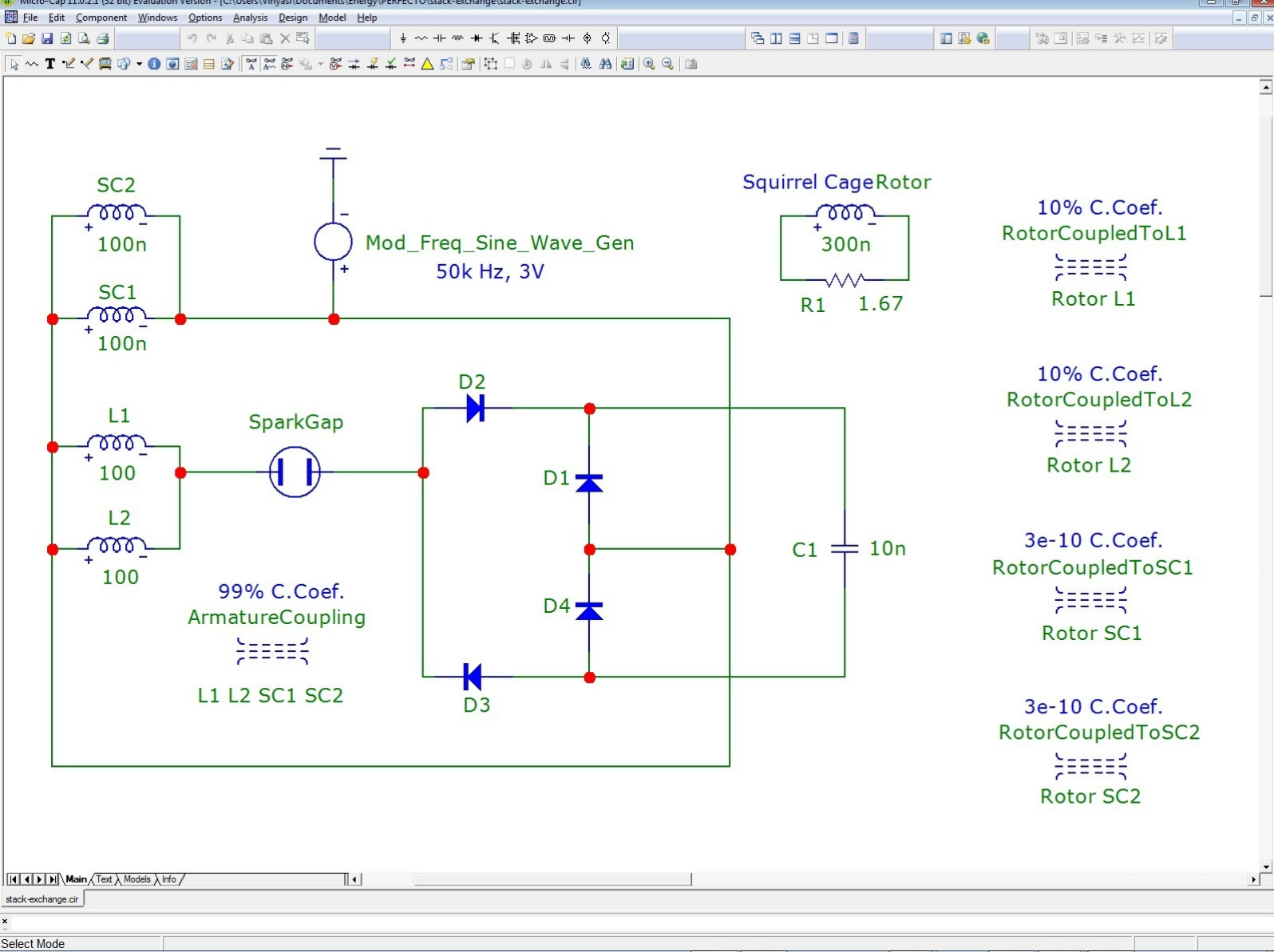


Now that we've established the rotation of the rotor, we'll want to vary its level of excitation to accommodate a variable demand made upon it by the driver wanting to vary the propulsion under variable circumstances, such as: traveling up a hill, versus cruising along on level ground, etc.

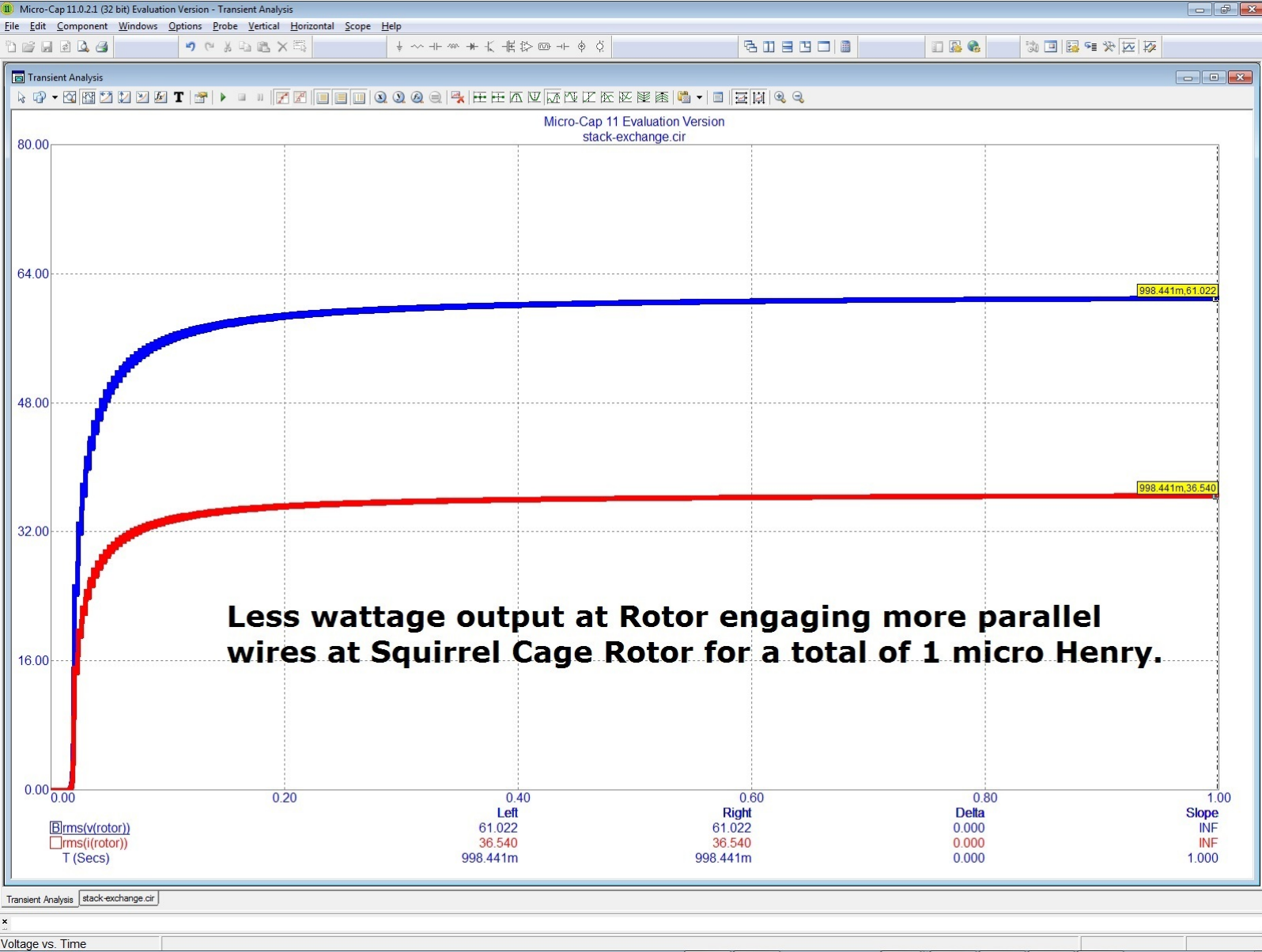
[Tesla Motors](#) has multiple wires – many of them – on its rotor, or stator (I forget which), numbering in either the hundreds or thousands of parallel strands. Since this constitutes a current division, this is also a division of resistance, plus a regulation of inductance, which may easily be regulated by using transistors positioned on each wire to switch numerous strands of wires ON versus OFF to alter the total induction as well as resistance. This latter condition is what we want to achieve to satisfy the demands made upon it by the driver operating under various circumstances.



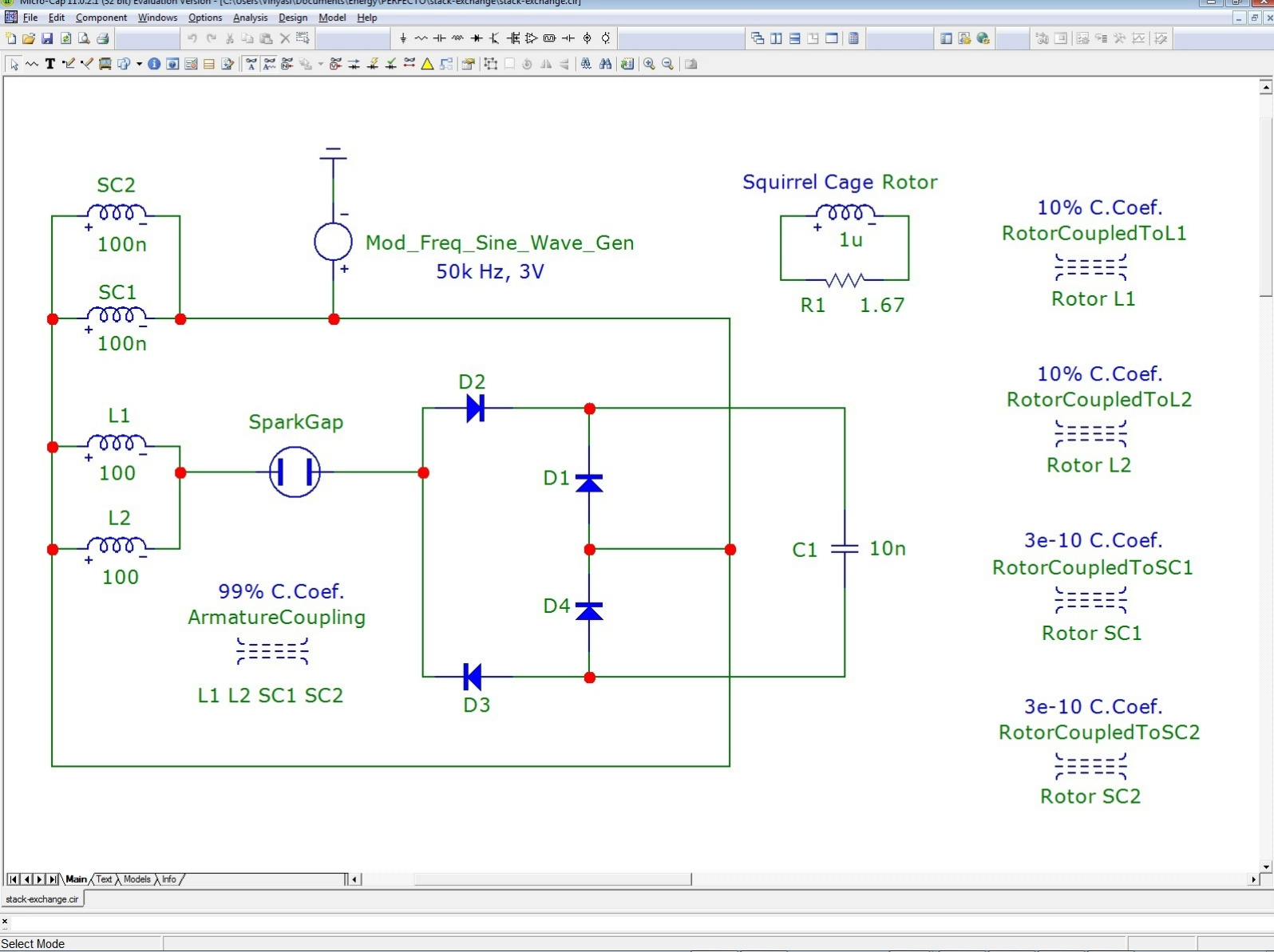
Moderate Wattage for Acceleration



Schematic for Moderate Wattage during Acceleration



Reduced Wattage for Cruising

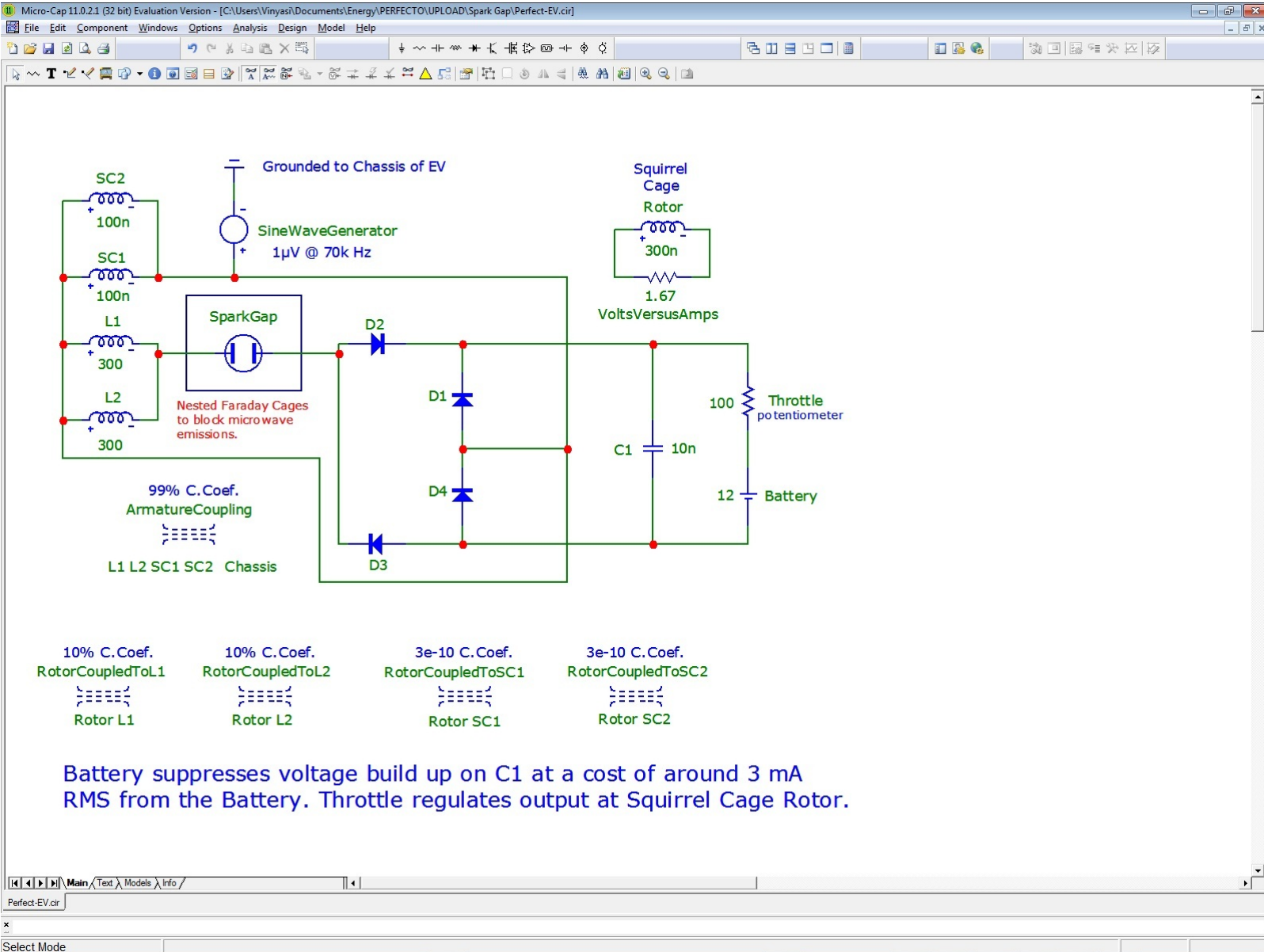


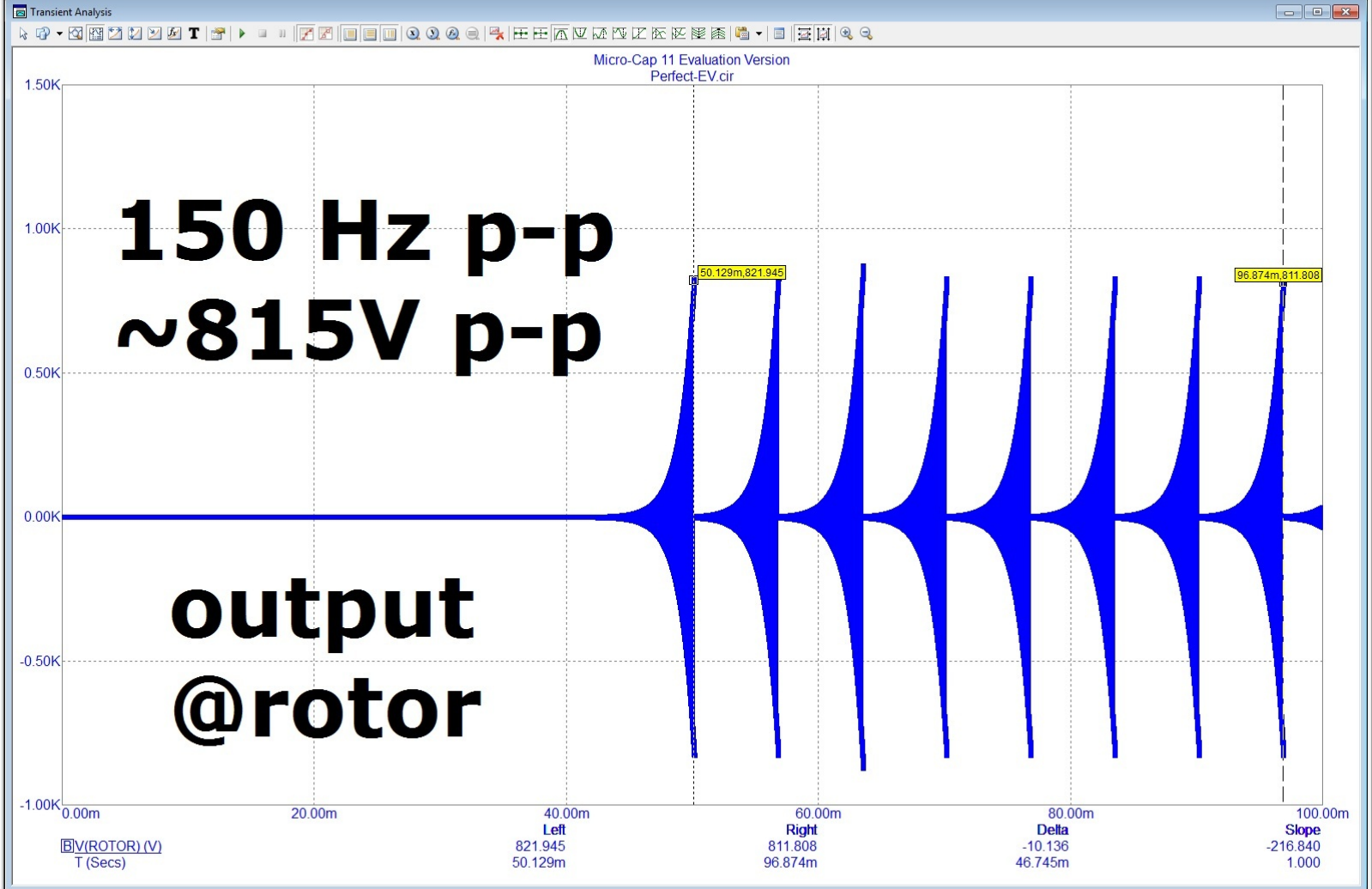
Schematic for Reduced Wattage while Cruising

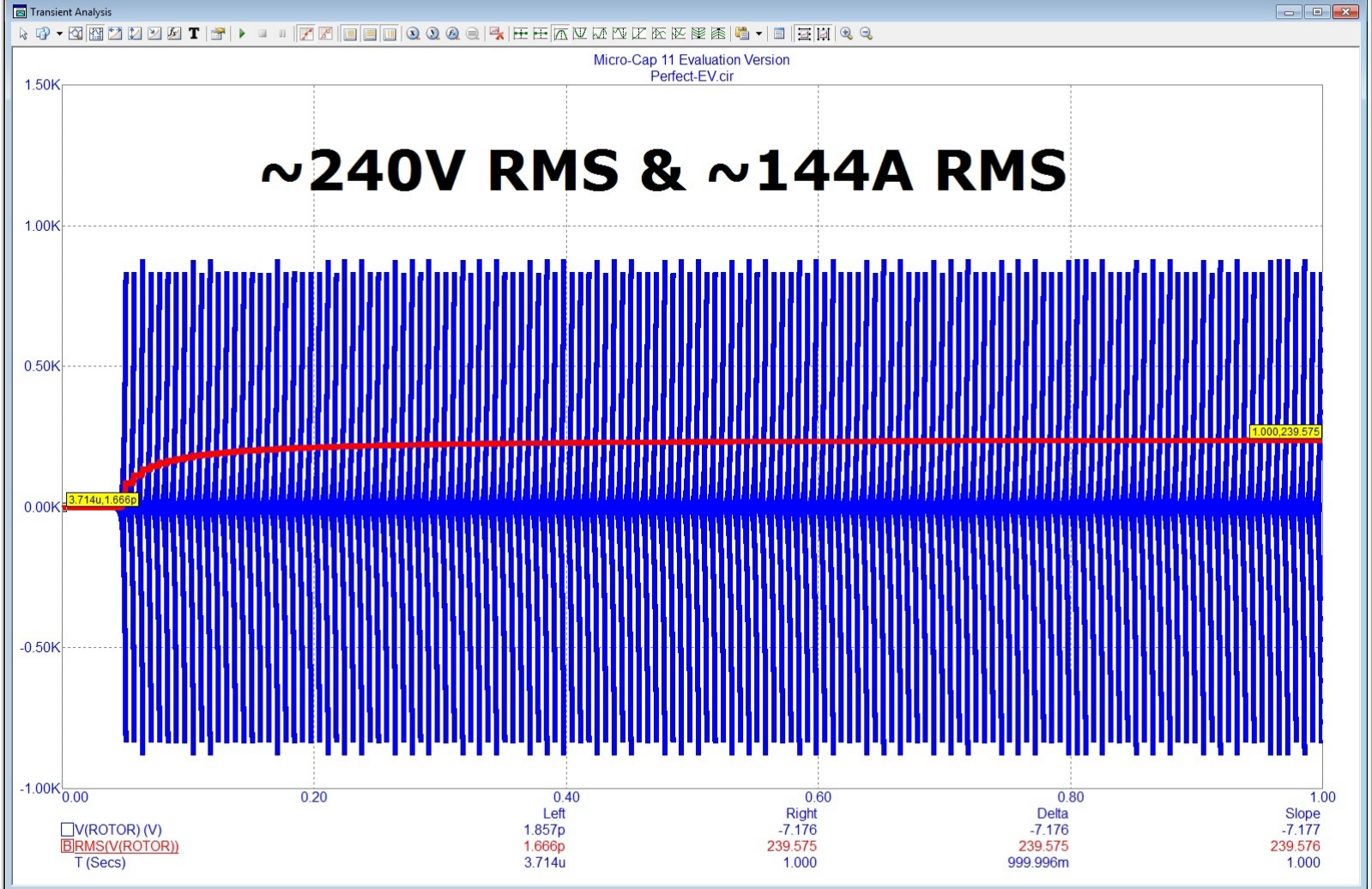
Download the [Micro-Cap Simulation](http://vinyasi.info/energy/beat-frequency.zip) files for these Beat Frequency and Variable Wattage demonstrations ...

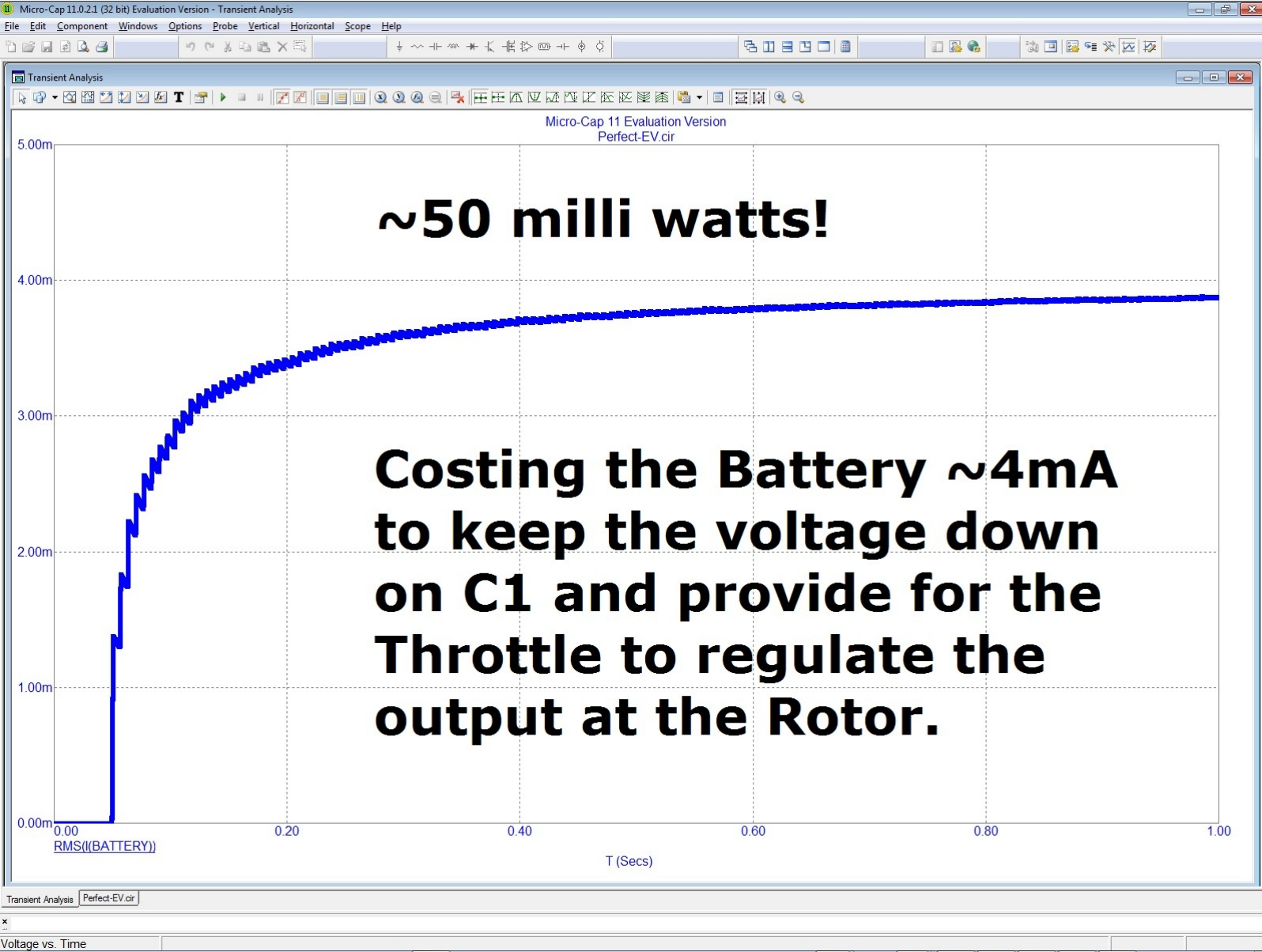
<http://vinyasi.info/energy/beat-frequency.zip>

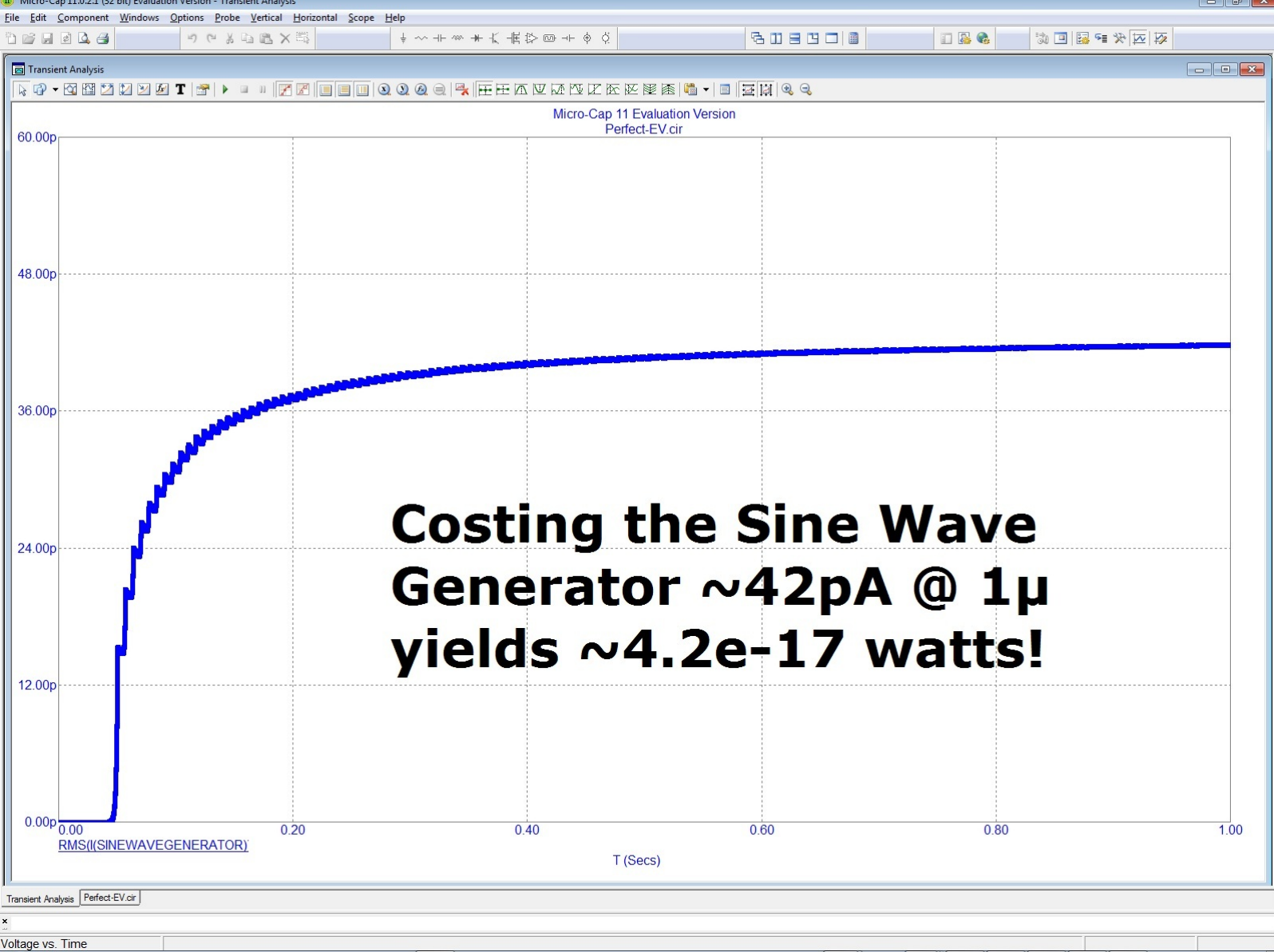
A Simple Demonstration of an Overunity Configuration NOT INTENDED for an EV!



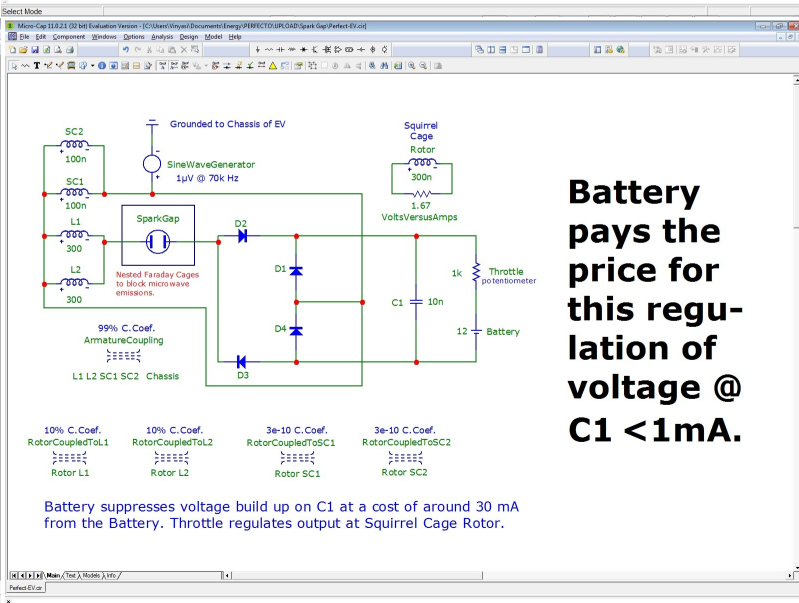
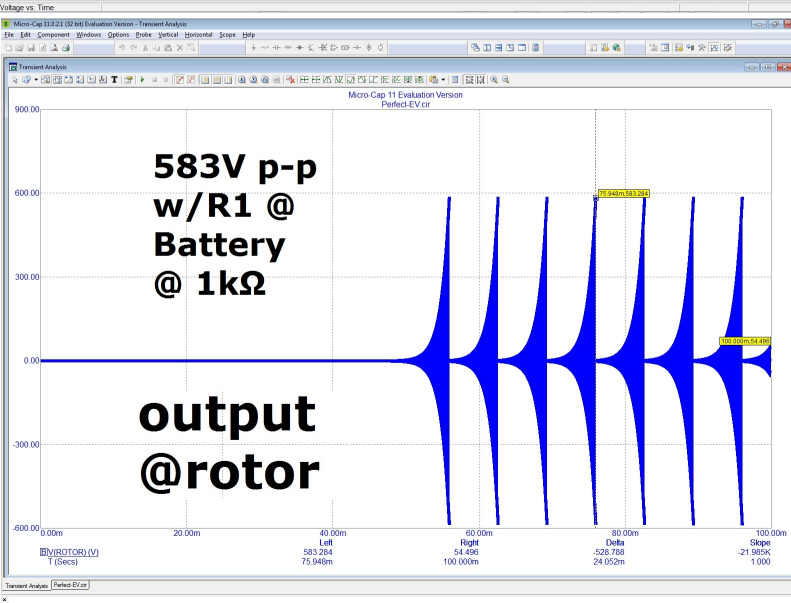
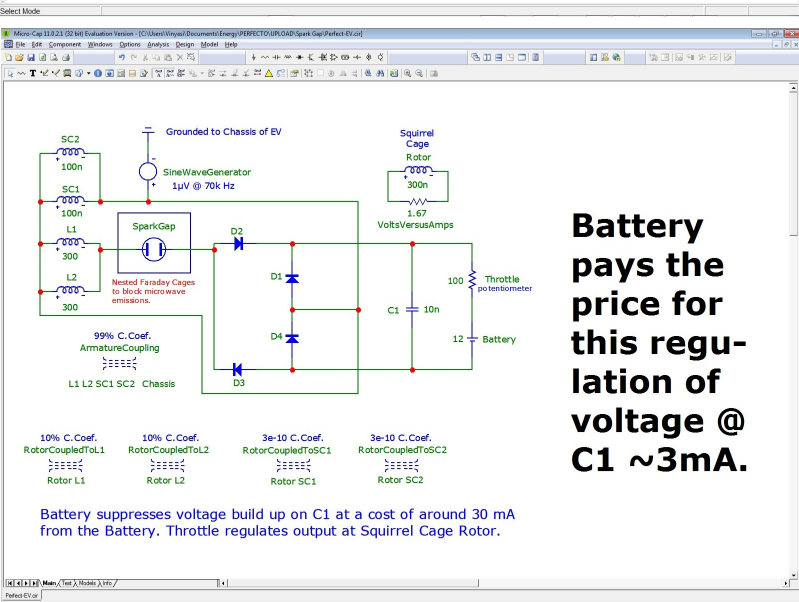
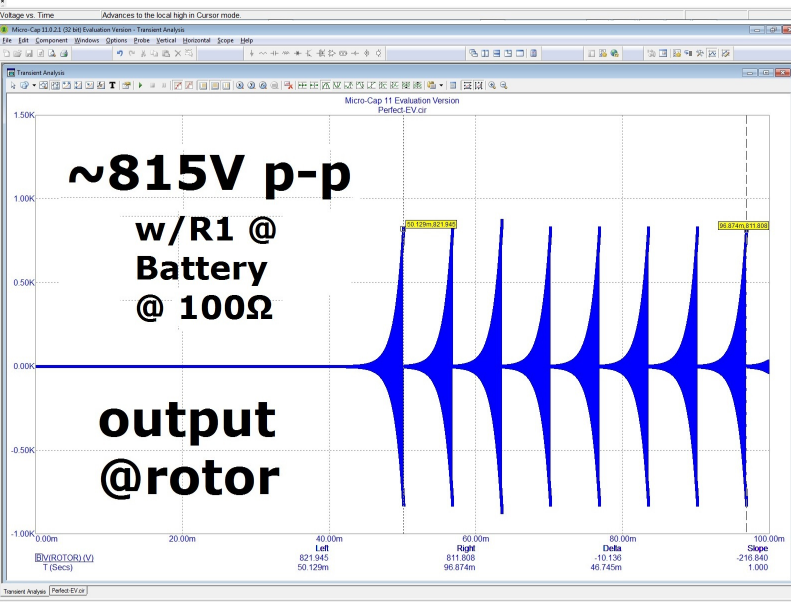
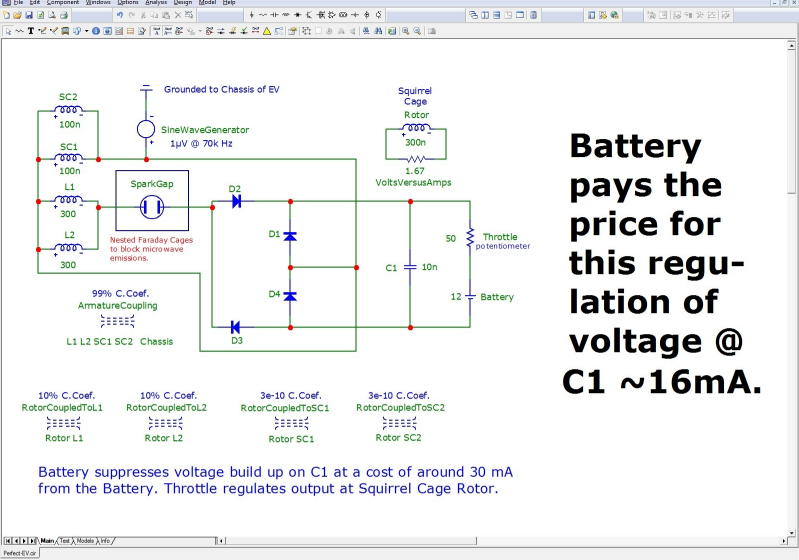
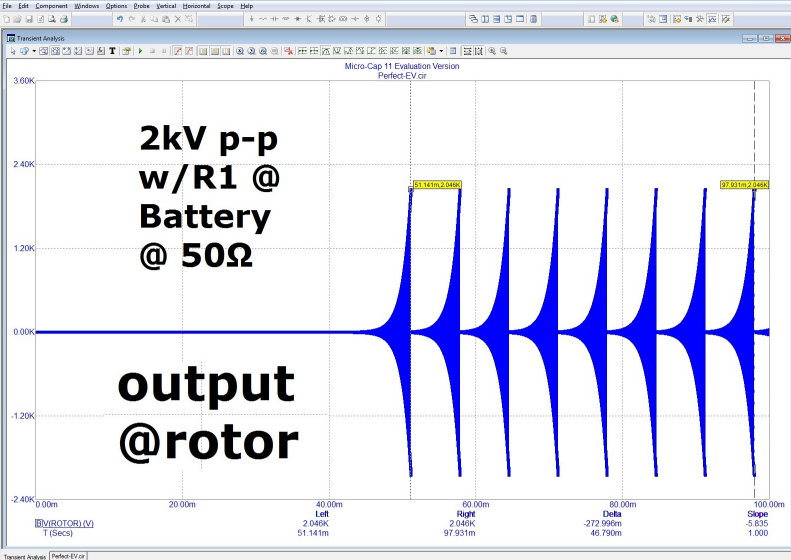








It may be advisable to put baffles inside the hydraulic transmission conduit to smooth out any sudden changes in speed which this circuit may exhibit whenever altering the Throttle's resistance. For it tends to increase its output in incremental steps rather than the smooth increase and decrease of output to which we have become accustomed to within our conventional electric motors ...



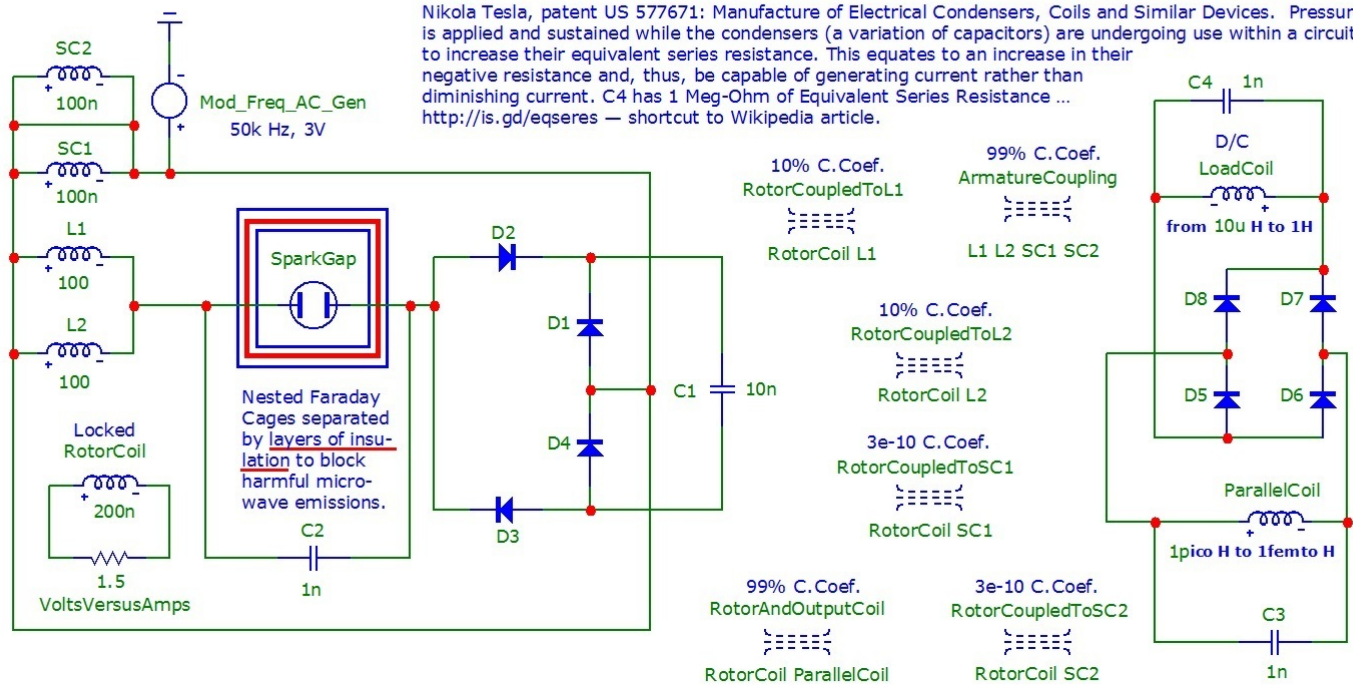
Download the [Micro-Cap Simulation File](http://vinyasi.info/energy/perfect-ev.cir) for this Simple Demonstration, Wiring Diagram of a Fictional EV ...

Beyond Newman

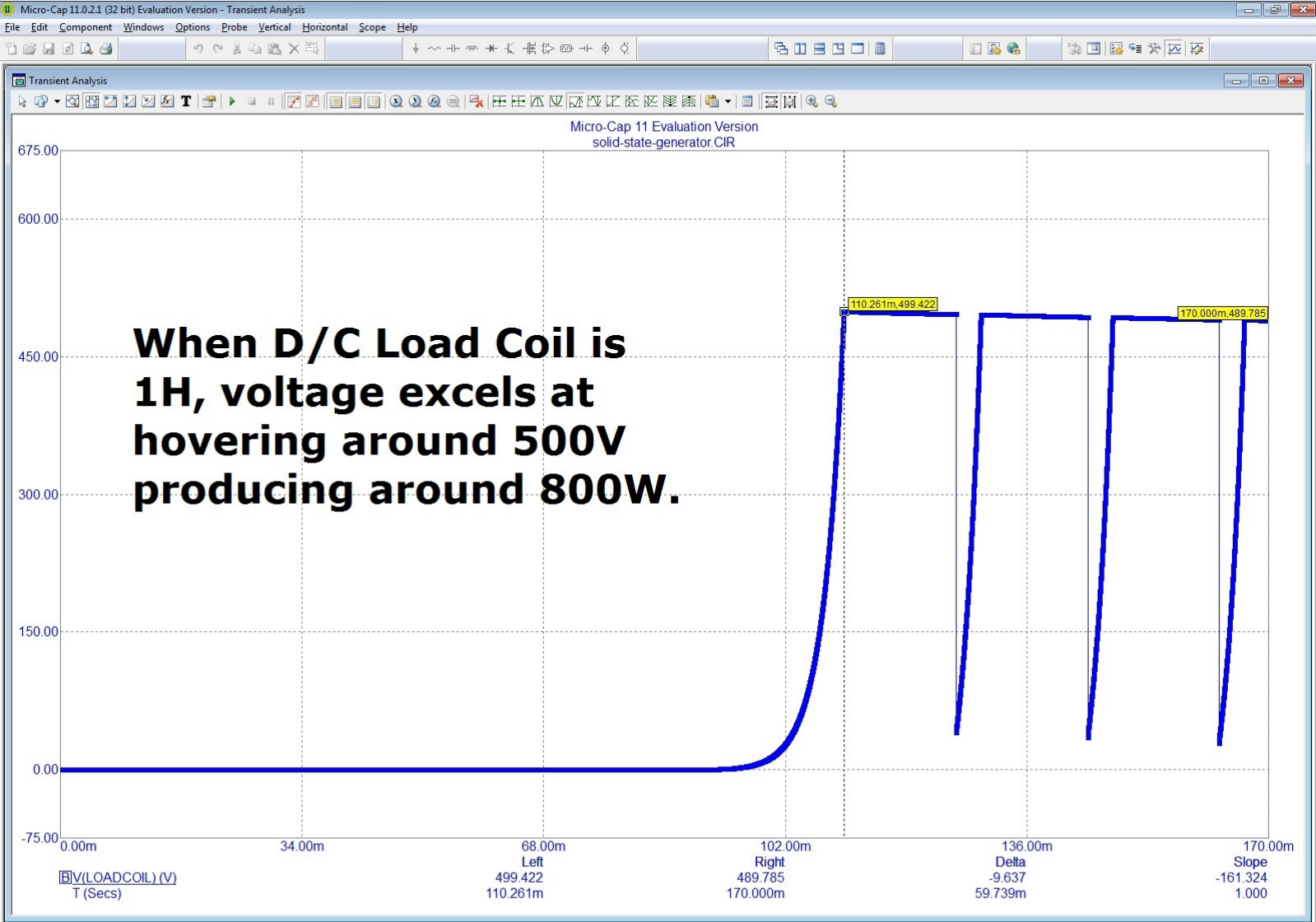
This is Tesla's Solid-State, Induction/Special Generator with an A/C-to-D/C inverter and composed of NO MOVING PARTS! He claimed it would last for 5,000 years!!!

The D/C load/s are connected in parallel with capacitor, C4, and the "LoadCoil".

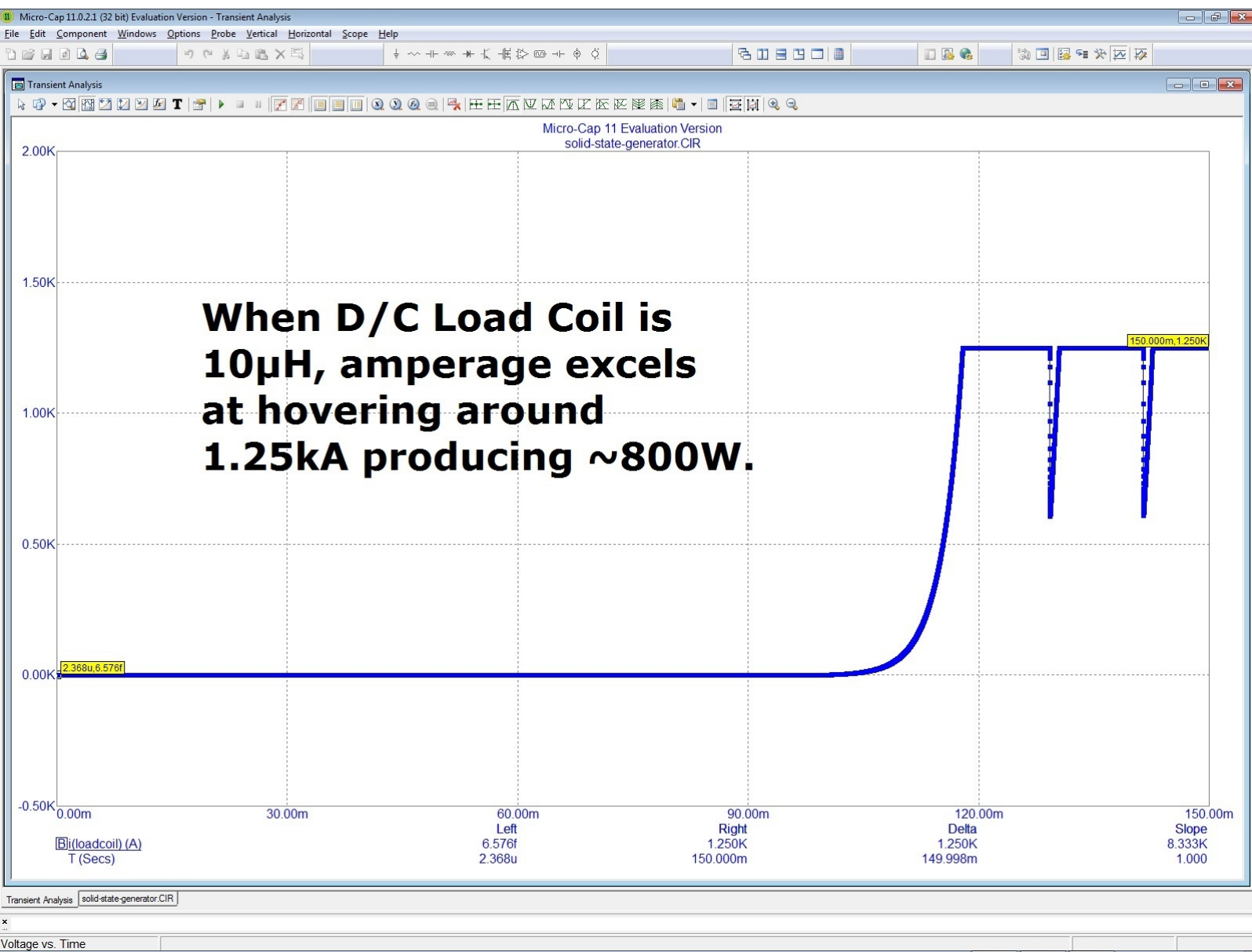
Nikola Tesla, patent US 577671: Manufacture of Electrical Condensers, Coils and Similar Devices. Pressure is applied and sustained while the condensers (a variation of capacitors) are undergoing use within a circuit to increase their equivalent series resistance. This equates to an increase in their negative resistance and, thus, be capable of generating current rather than diminishing current. C4 has 1 Meg-Ohm of Equivalent Series Resistance ... <http://is.gd/eqseres> — shortcut to Wikipedia article.



Solid-state generator's D/C output is ~800 watts!



Transient Analysis solid-state-generator.CIR
x
Voltage vs. Time



This goes beyond Newman’s design in that the size of the main coils, L1 and L2, do not entirely determine the output. What also contributes to boosting output is how small is the self-inductive value of the "ParallelCoil".

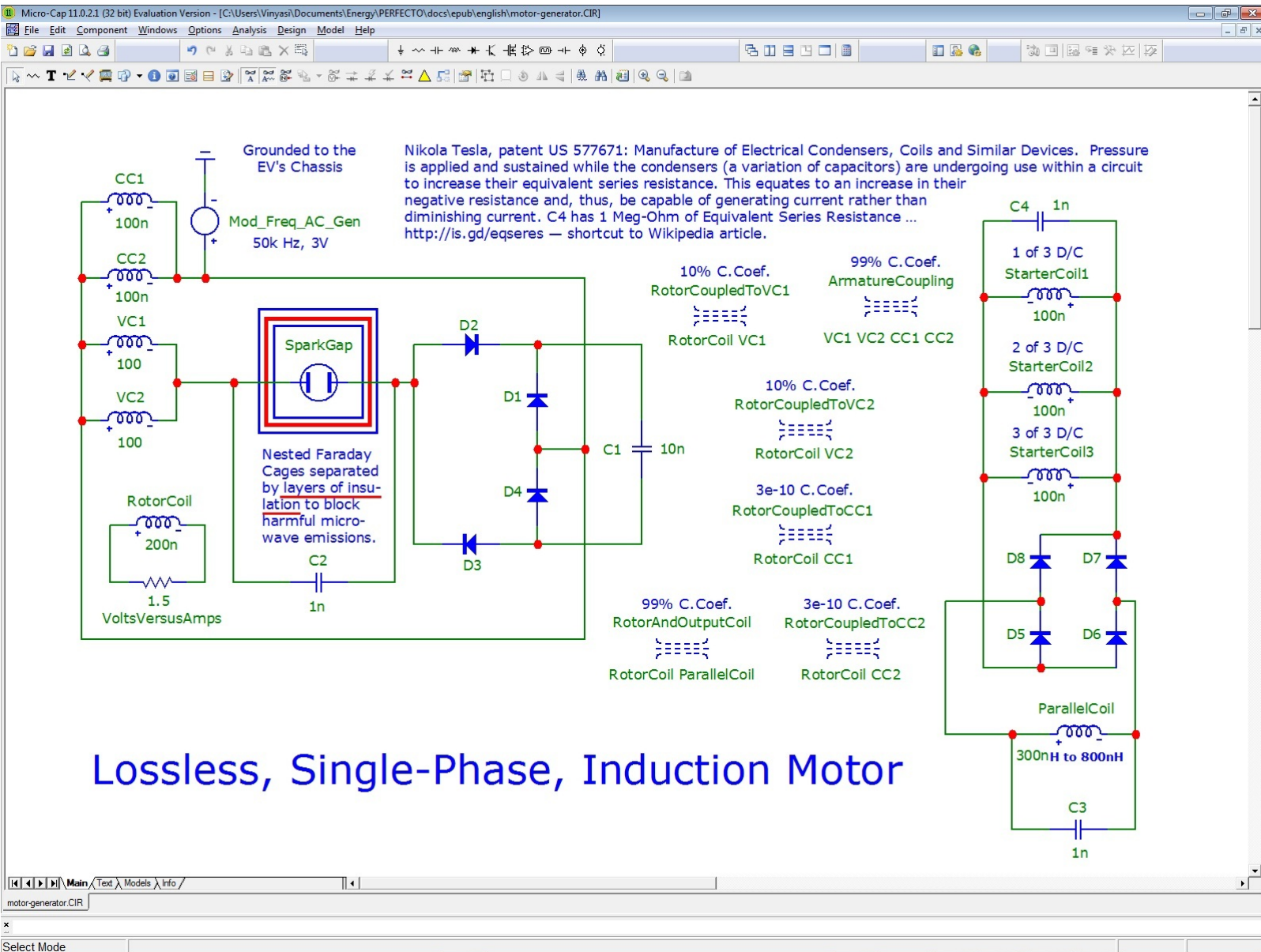
When the "ParallelCoil" is in the range of 300nH to 800nH, then the overall level of energy is reduced approaching that which is more suitable for an EV ([as shown in the following chapter](#)), yet, still remains excessive. {What to do with all that power!}

But when the "ParallelCoil" is in the range of 10µH to 1H, then the overall level of energy is increased approaching that which is more suitable for a neighborhood power station. ¡Ay, caramba!

Download the *Beyond Newman* Simulation File

<http://vinyasi.info/energy/solid-state-generator.cir>

Cracking Tesla



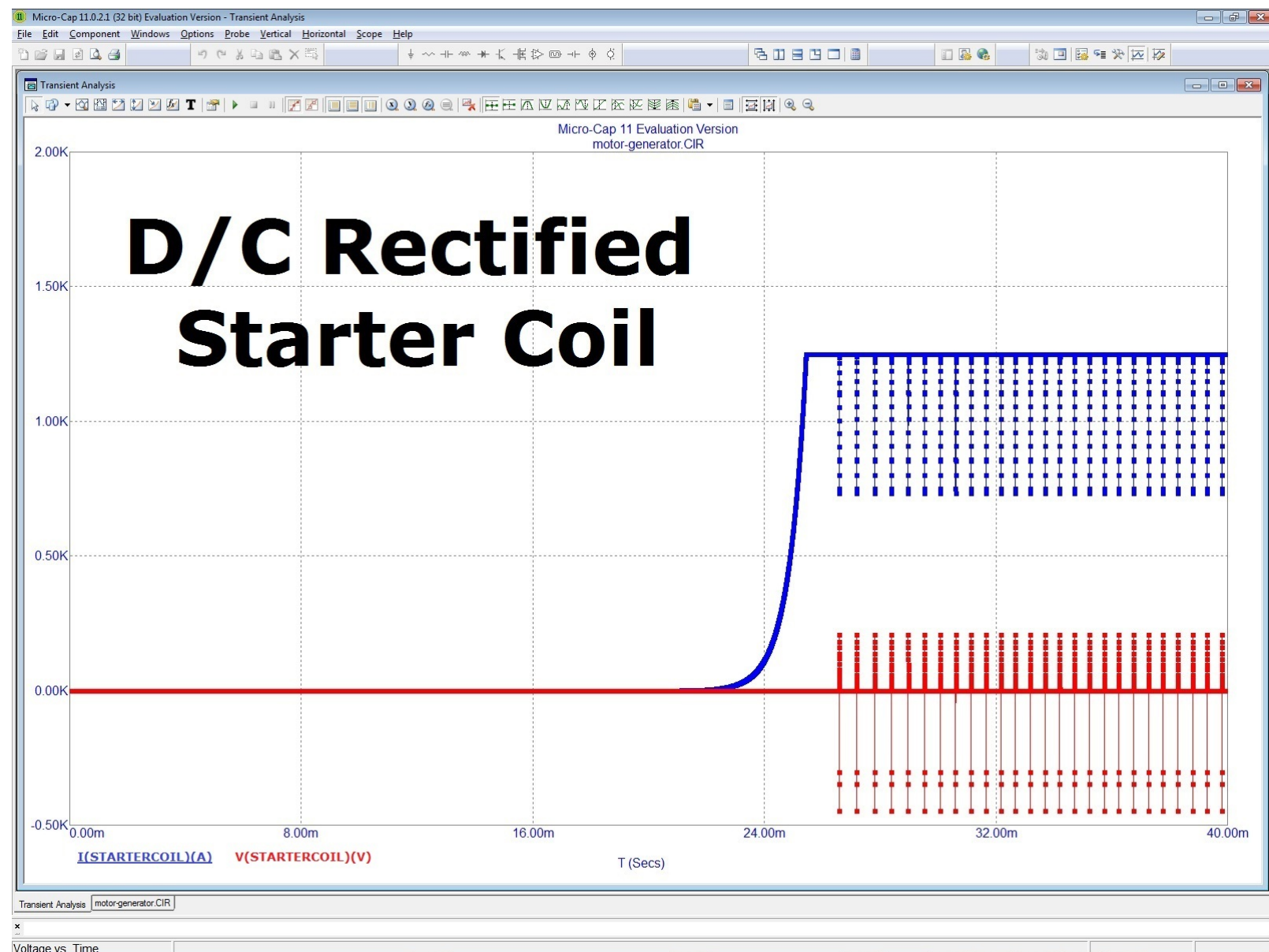
Converting the structure of a conventional, single-phase, A/C induction motor into accepting a lossless input of negative power factor – and without requiring adjustment to its power factor – is simply solved by segregating voltage from current by congregating voltage in a pair of voltage coils – each voltage coil is constructed of many turns of thin wire – and congregating current in a pair of current coils – each current coil is constructed of merely two turns of stout wire – and then inverting the wiring of each pair of coils with respect to one another as they are all situated upon the same armature. We are taking advantage of negative power factor since the voltage coils will be predominantly hosting voltage with very little current; and the current coils will be exclusively hosting current without any voltage (due to negative power factor inducing a phase separation of 180° between voltage and current). Hence, there will be very little cancellation of our intended effect and we will have succeeded in making a motor run on lossless power!

So, we invert the orientation of each pair of coils so that whenever voltage is oriented one way, current will always be oriented the opposite way to accommodate negative power factor's 180° phase separation between voltage and current). We invert this orientation by winding each set of coils in opposing directions. But the current coils have to be wound in the same direction as the three D/C starter coils

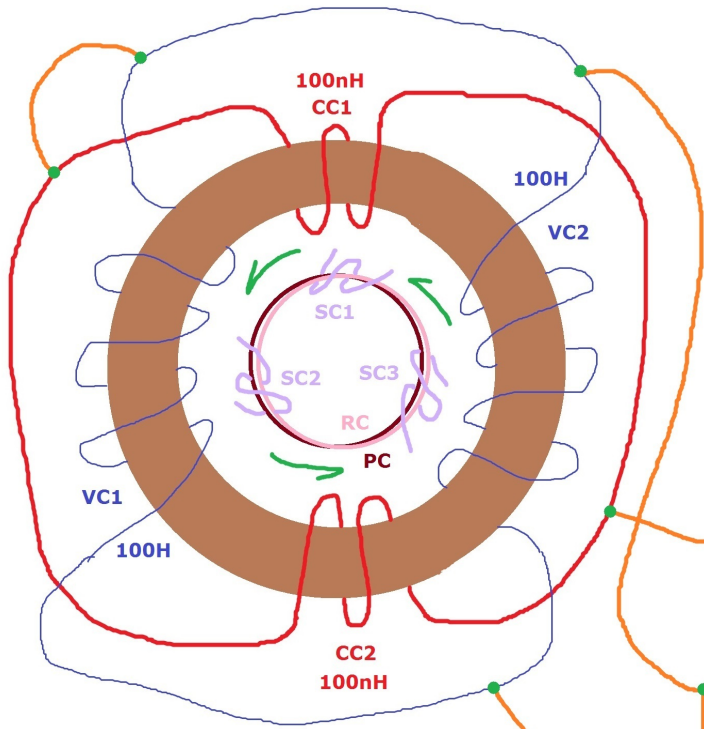
located on the squirrel cage rotor. So, the voltage coils will be wound opposing these seven coils (of three D/C starter coils plus two current coils). This is due to the fact that it will be the current laden coils of both the starter and the current coils which will be the coils exhibiting a strong electromagnetic field while the voltage coils will be exhibiting a strong electrostatic field. And these two types of fields will be opposing each others phase relation per unit of time. Yet, we want them to **not oppose** each other!

The D/C starter coils are necessary to ensure rotation of the motor shaft in a single, intended direction. So, the sub-circuit feeding them must rectify **only the current** portion of their negatively, power factored, displaced sine waves. The voltage aspect of the starter coils is ignored for good reason: their low voltage will not impact the rotation of the D/C starter coils since these starter coils are constructed of merely a few turns of *very stout magnetic wire* – just like the current coils positioned on the armature.

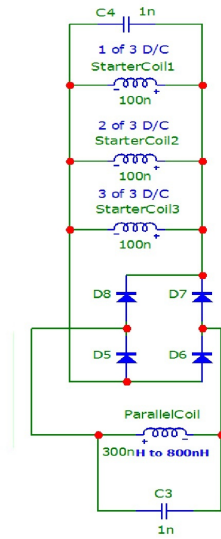
As it turns out (displayed in the images, below), the flat-lining voltage waves (in the D/C starter coils) are a mere milli volt (on average for most of the time barring perturbations of the periodic gap in current). Yet, this is in synchronicity with the substantial quantity of current plateauing at 1.25k amps. This is due to the partial rectification resulting from the full diode bridge attached to the parallel coil (and the parallel coil is immediately adjacent to the rotor coil). So, the starter coils will possess adequate coherence (aka, sufficiently lack negative power factor) to be able to offset the negative power factor within the voltage coils and the current coils located on the armature and effect rotation of the motor shaft.



ARMATURE OF A SINGLE-PHASE INDUCTION MOTOR



If the Voltage Coils are wound CW, then the Current Coils and the Starter Coils are wound CCW as shown in this diagram.



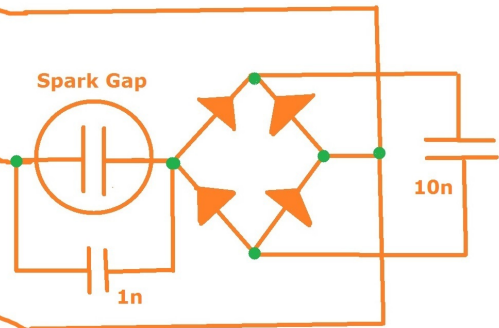
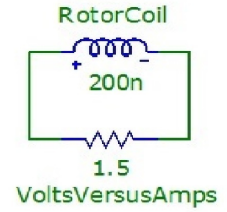
Starter Coil(1, 2, 3) = SC1, SC2, SC3

ParallelCoil = PC

VoltageCoil(1, 2) = VC1, VC2

CurrentCoil(1, 2) = CC1, CC2

200n
RotorCoil = RC



Download the *Beyond Tesla* Simulation File

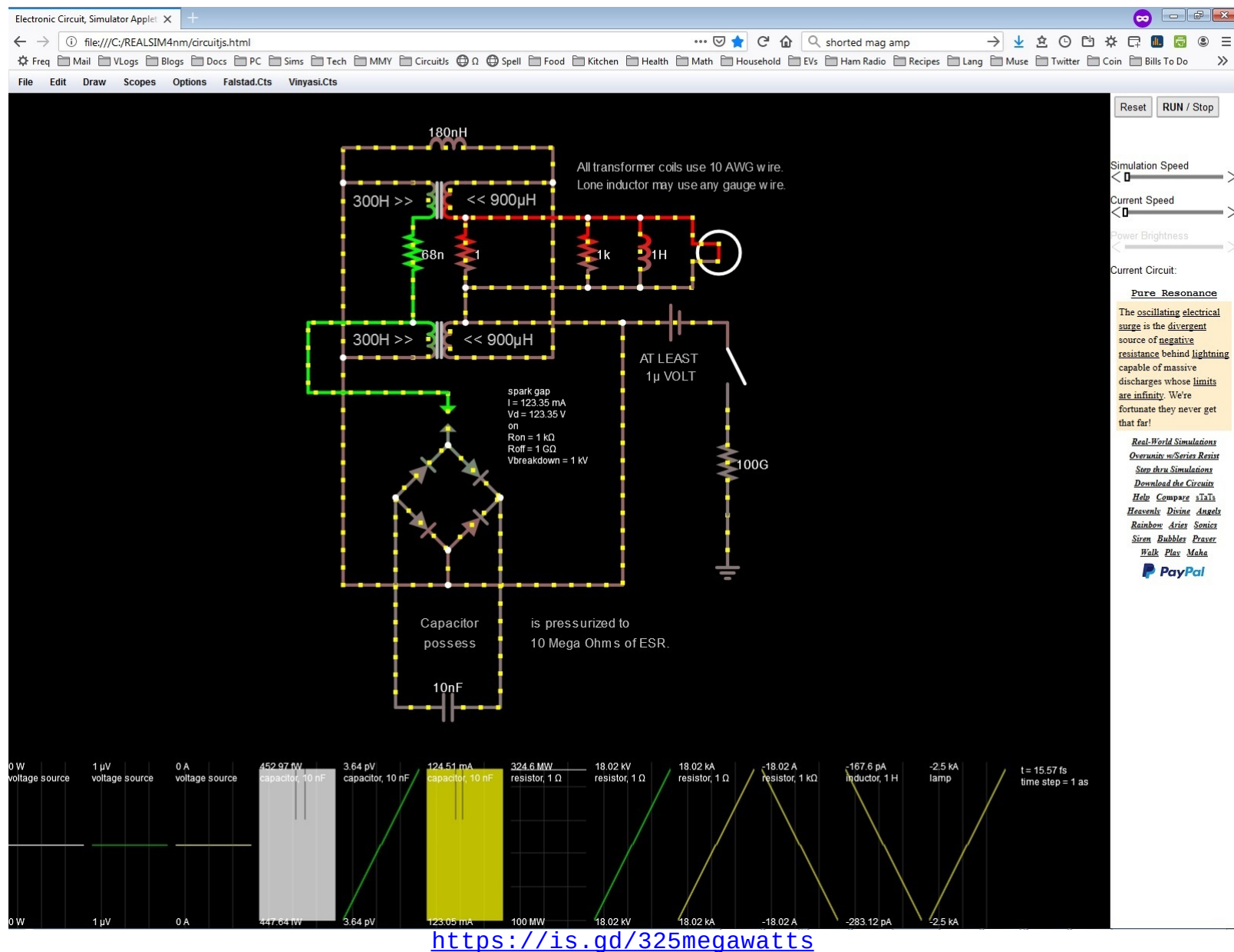
<http://vinyasi.info/energy/motor-generator.cir>

Beyond Falstad

There are [those who say](#) that [Micro-Cap](#) and [LTSPICE](#) are *not* dependable and only [Paul Falstad's simulator](#) is reliably accurate. And that... No way could I get the same outcome in Paul's simulator as I do in either of the other two simulators.

Well... [How wrong](#) are they!

[Original link](#) before it was shortened.



BTW, I have [reasked the question](#) ([copied here](#)) which spawned the various objections to which conservatives may all agree before it was deleted.

May oscillations approximate infinite Quality factor?

This may be reworded as ...

When does a motor become a generator? Or, when does an inductive load become a source?

When the motor becomes an [induction \(asynchronous\) generator](#) upon acceleration of its rotor. This is automatically induced by a rise in frequency as its energy accumulates (as [noted](#), below) ...

Or, when the current reverses – under the influence of a [torque induced precession](#) between the phases of current and voltage within an A/C cycle – resulting in a negative power factor.

[Why does the power self-amplify?](#)

Because what would have been the only significant load, instead, becomes its own predominant source.

So, power is not self-amplifying in this circumstance. It merely accumulates, because there is no significant load to spend its energy despite any minor losses due to the inherent imperfections of a physical device (ie, losses due to heat, etc).

How can power become negative without this process of reversal costing more than its gain?

Not resulting from the use of an [op-amp](#) ...

The image shows a screenshot of an electronic circuit simulator window. The title bar reads "Electronic Circuit, Simulator Applet". The address bar shows a file path: "file:///C:/REALSIM4nm/circuitjs.html". The browser's search bar contains "Negative Impedance Converters". The main window displays a circuit diagram of a Negative Impedance Converter. It features a 60Hz AC voltage source on the left, connected to the non-inverting input (+) of an operational amplifier. The inverting input (-) is connected to ground through a resistor labeled "1". The output of the op-amp is connected to a resistor labeled "1", which is in series with another resistor labeled "1" connected to ground. A third resistor labeled "1" is connected between the output and the inverting input. A waveform plot at the bottom shows a 5V AC source signal with a time step of 5 μs. The plot is labeled "5 V AC source" and "t = 334.81 ms time step = 5 μs". On the right side of the simulator, there are controls for "Reset", "RUN / Stop", "Simulation Speed", "Current Speed", and "Power Brightness". Below these controls, there is a "Current Circuit:" section with a link to "Pure Resonance" and a text box containing the following text: "The oscillating electrical surge is the divergent source of negative resistance behind lightning capable of massive discharges whose limits are infinity. We're fortunate they never get that far!". Below this text are several links: "Real-World Simulations", "Overunity w/ Series Resistor thru Simulations", "Download the Circuit", "Help", "Compare", "Stats", "Heavenly Divine Angels", "Rainbow Arises Sonics", "Siren Bubbles Prayer", "Walk Play Maha", and a "PayPal" logo.

Negative Impedance Converter

... (embodying the concept of a [negative impedance converter](#)), but from this circuit depicted, below...

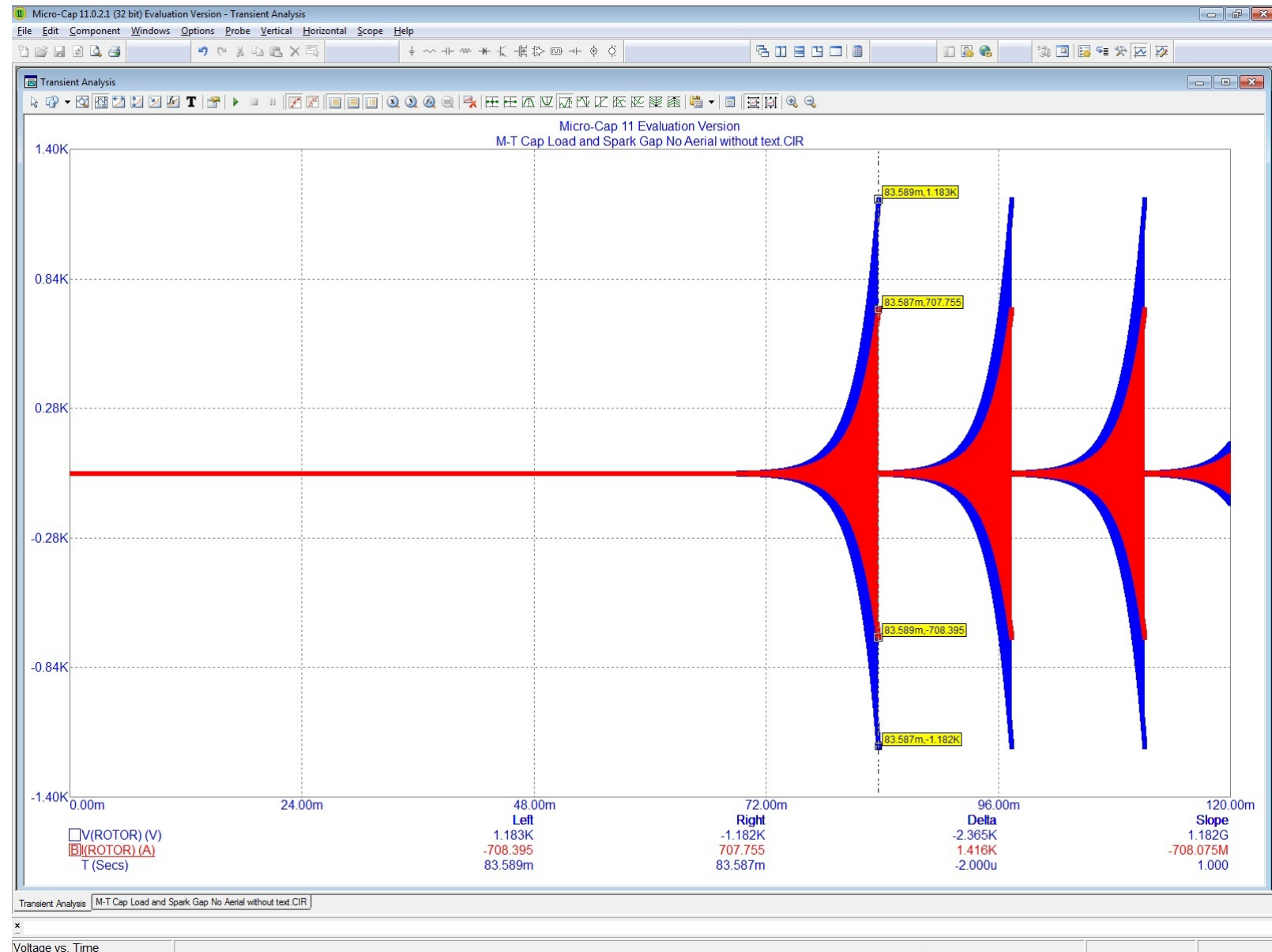
A lossless sector occurs on the left side of the schematics posted, below. The rectification sector on the right side of the schematics, manages to partially rectify losslessness to energize the three starter coils since one more condition is also met on the left, namely: the congregation of voltage among coils VC1 &

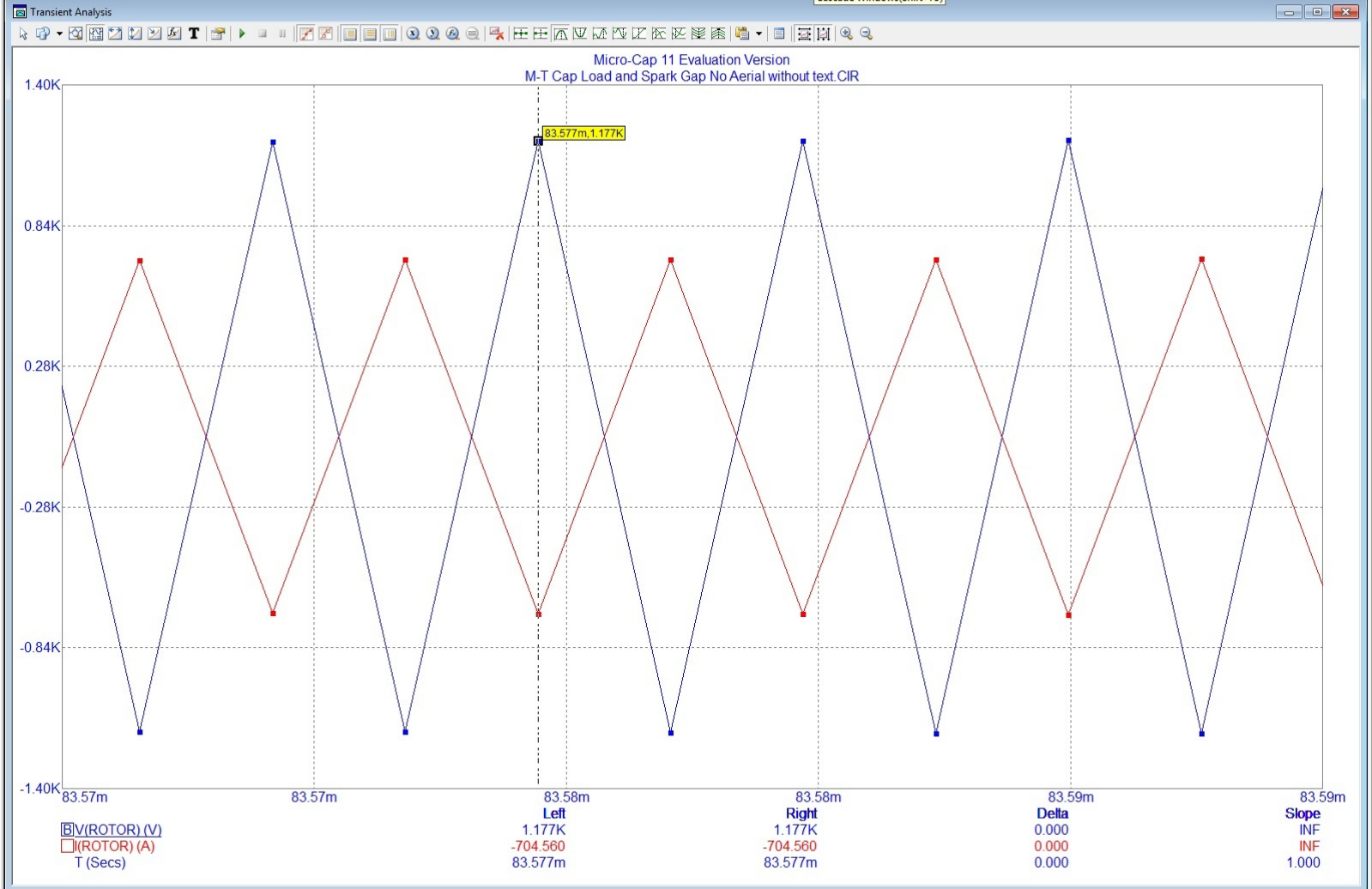
VC2 versus the congregation of current among coils CC1 & CC2 due to the step down *transformational relationship* existing between these voltage coils and current coils having vastly different self-inductions of 100H and 100nH, respectively, along with a 99% coupling coefficient through their armature.

This *transformational relationship* severely reduces cancellation of voltage against current due to their inverted wiring which also corrects their negative power factor without intrinsically eliminating it.

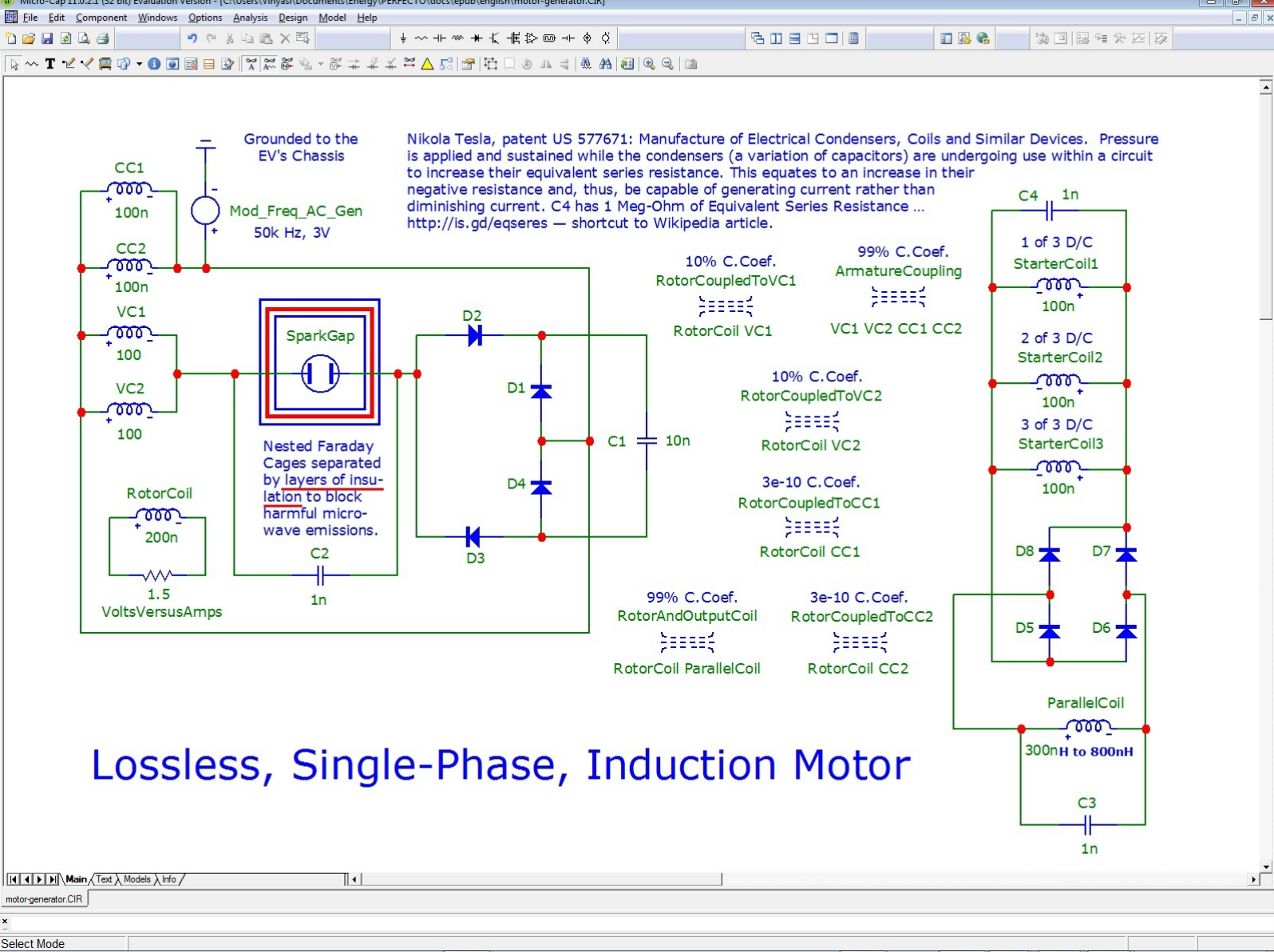
The schematic, preceded by the rotor's output, plus a close-up of rotor's output showing 180° displacement of current vs voltage sine waves. These sine waves are approximated as triangular waves since the simulator is attempting to "catch up" with their constantly increasing frequency (see [note](#), below)

...



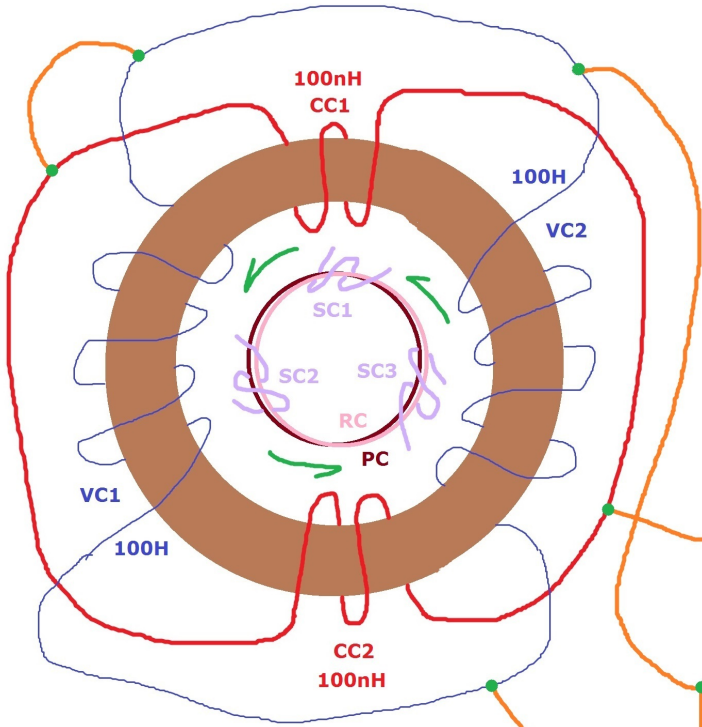


Transient Analysis M-T Cap Load and Spark Gap No Aerial without text.CIR

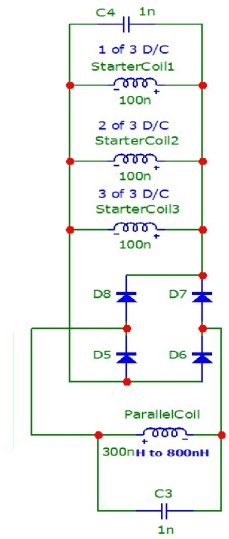


Arrangement of motor windings in and around its armature ...

ARMATURE OF A SINGLE-PHASE INDUCTION MOTOR



If the Voltage Coils are wound CW, then the Current Coils and the Starter Coils are wound CCW as shown in this diagram.



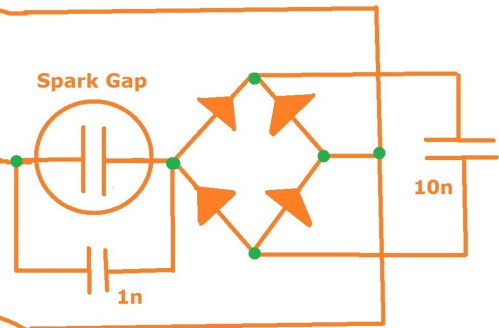
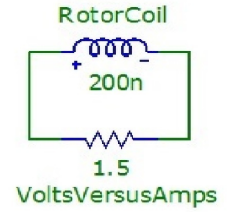
Starter Coil(1, 2, 3) = SC1, SC2, SC3

ParallelCoil = PC

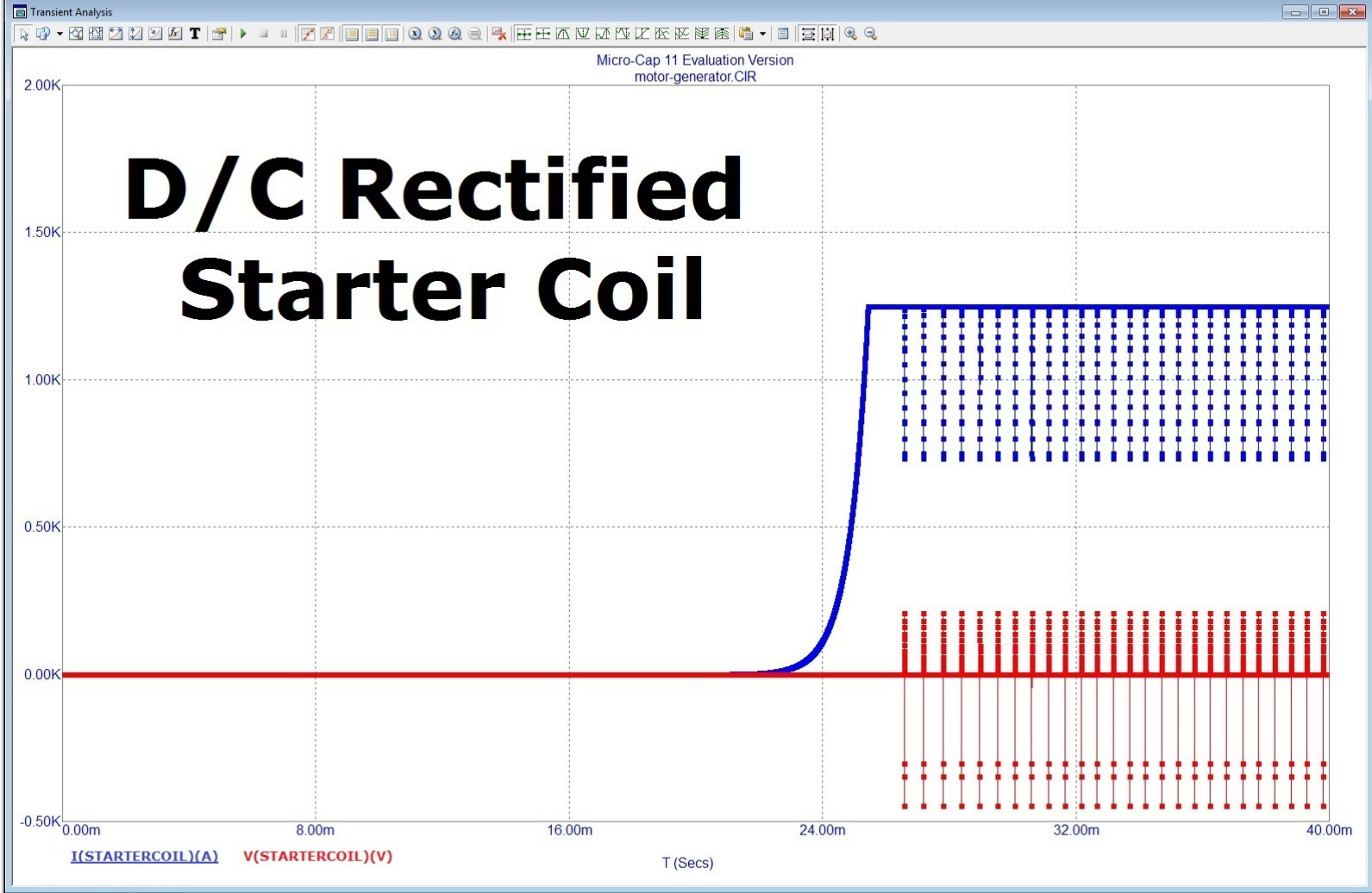
VoltageCoil(1, 2) = VC1, VC2

CurrentCoil(1, 2) = CC1, CC2

200n
RotorCoil = RC

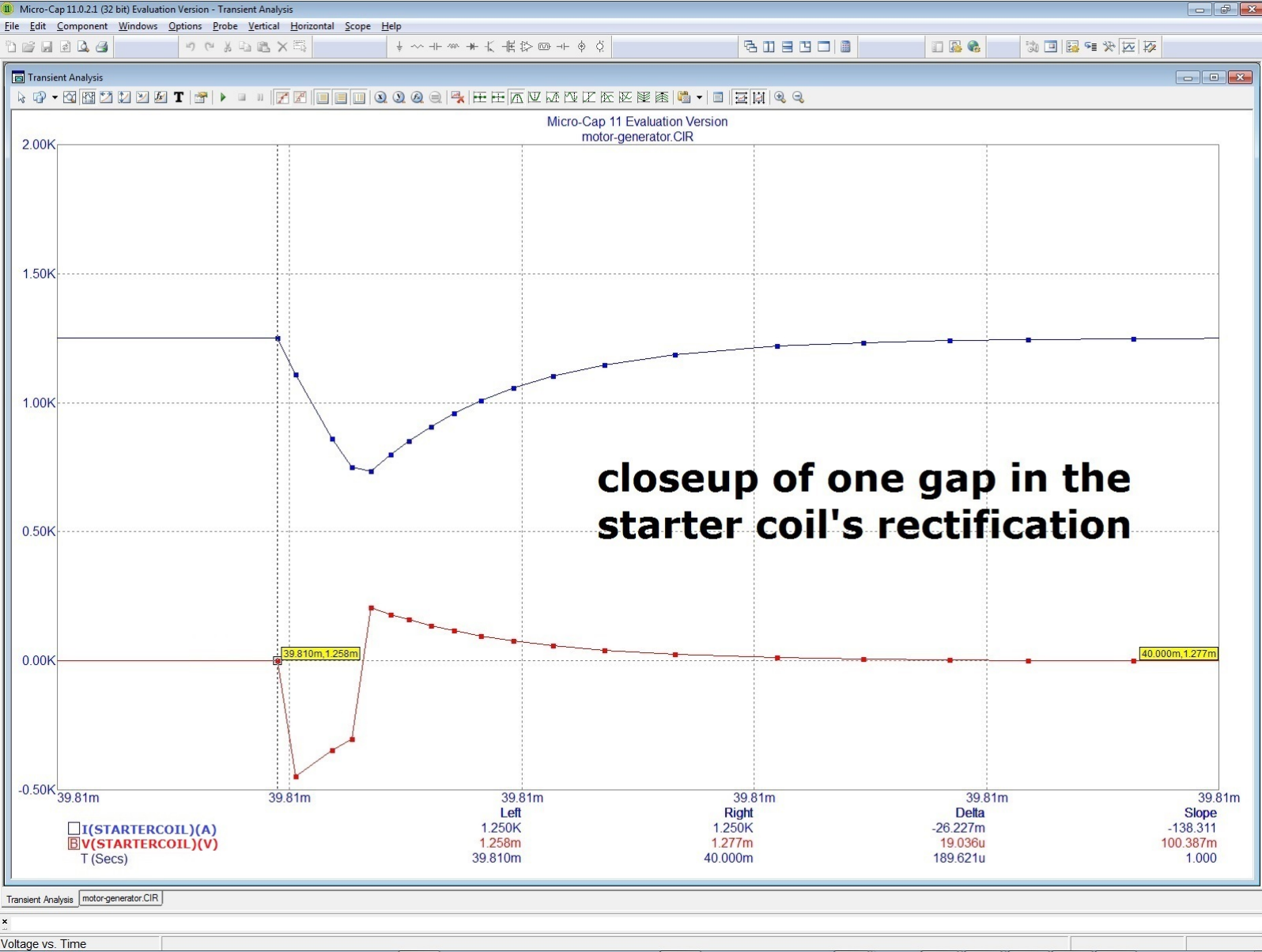


Oscilloscope tracings of partially rectified starter coils ...



Transient Analysis motor-generator.CIR

x
Voltage vs. Time

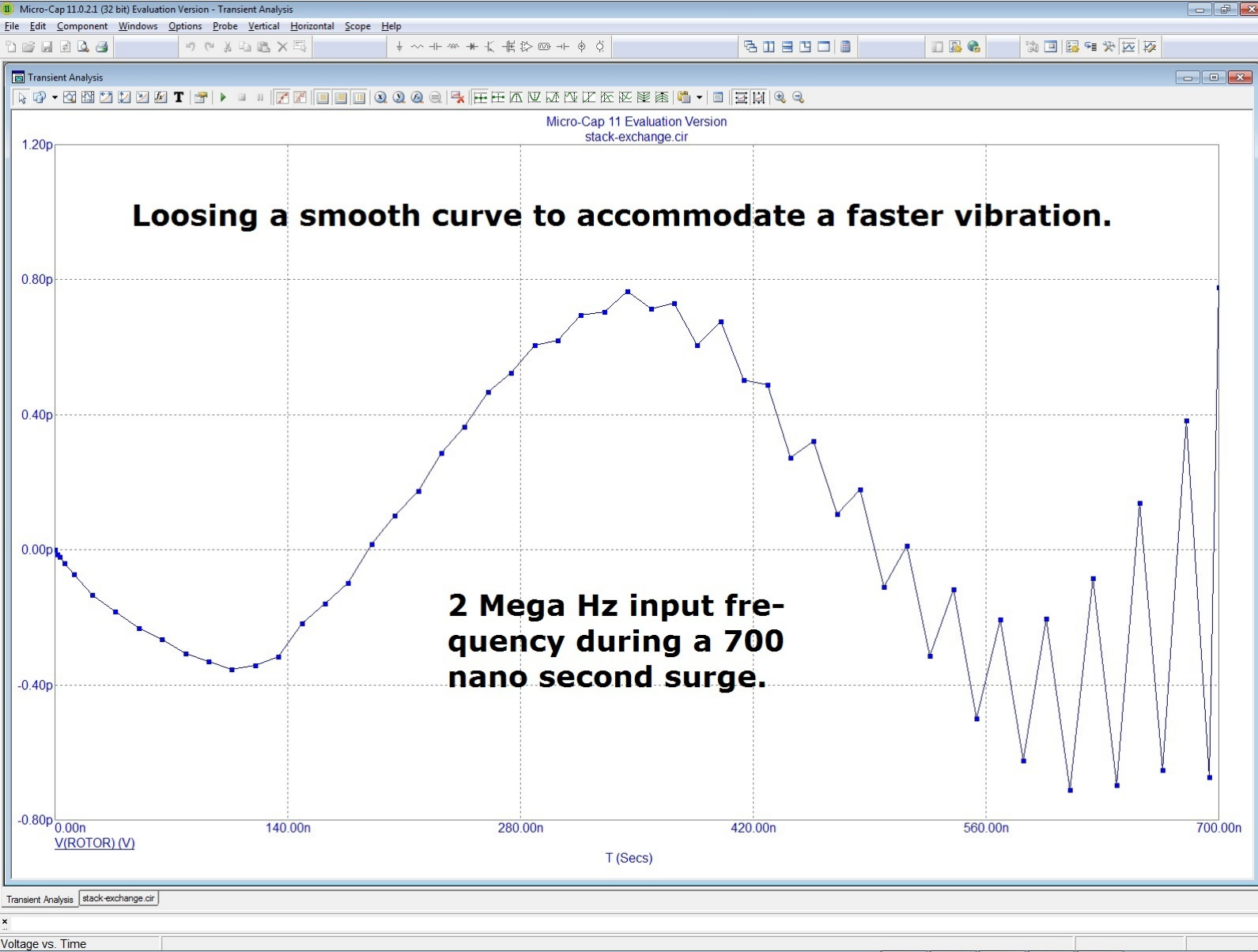


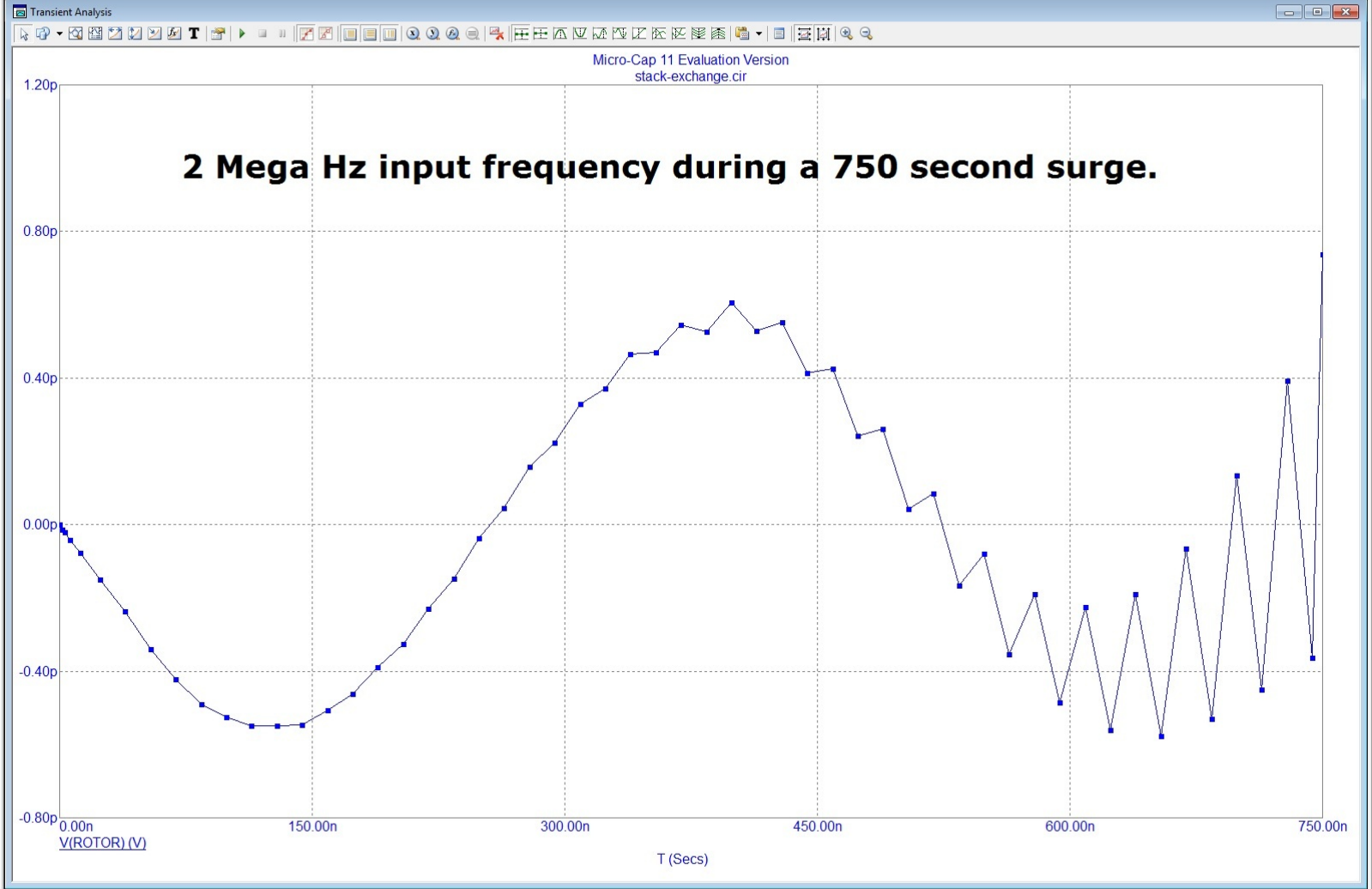
I'll get the hang of this, [eventually](#).

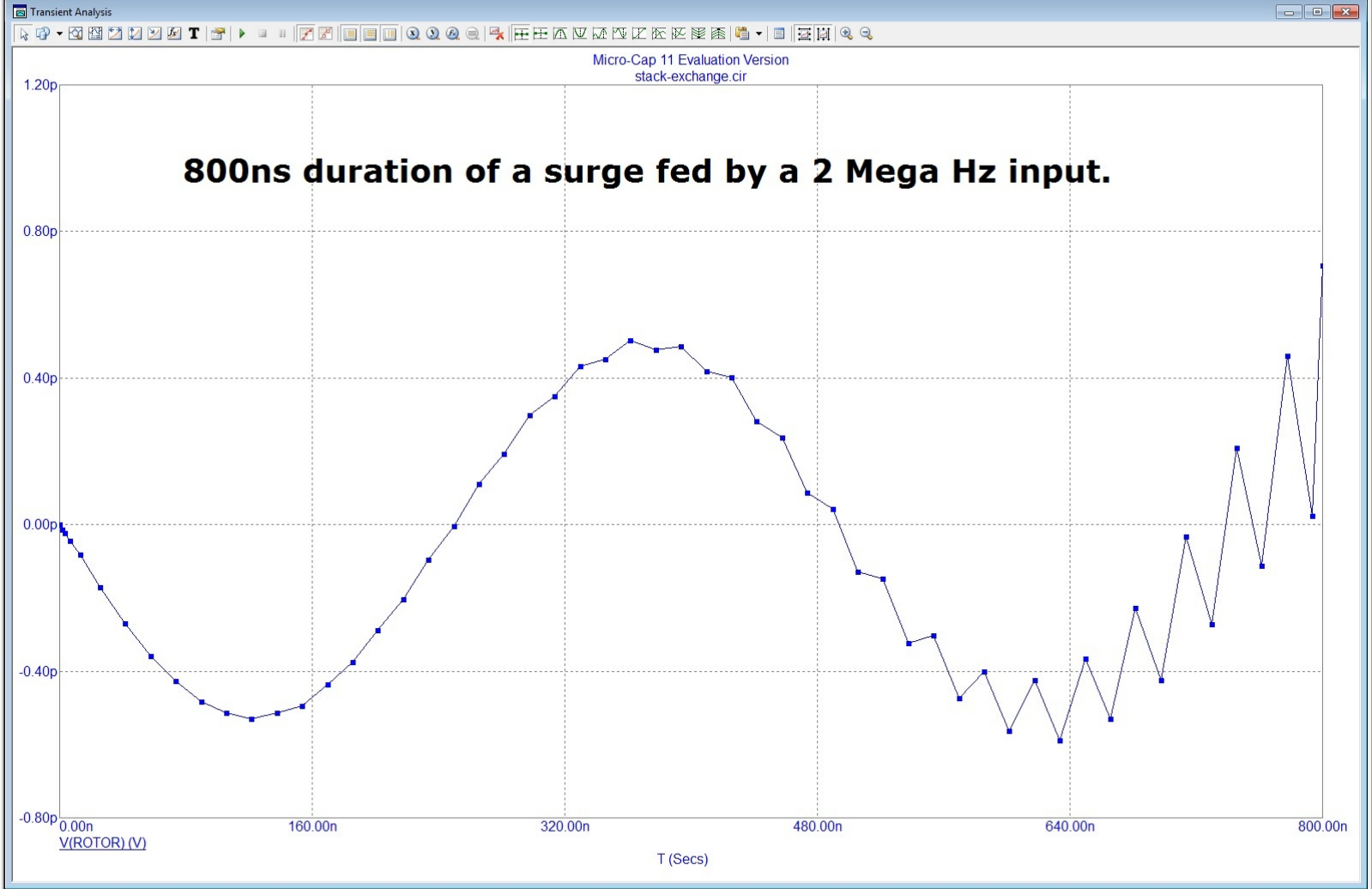
put on hold as unclear what you're asking

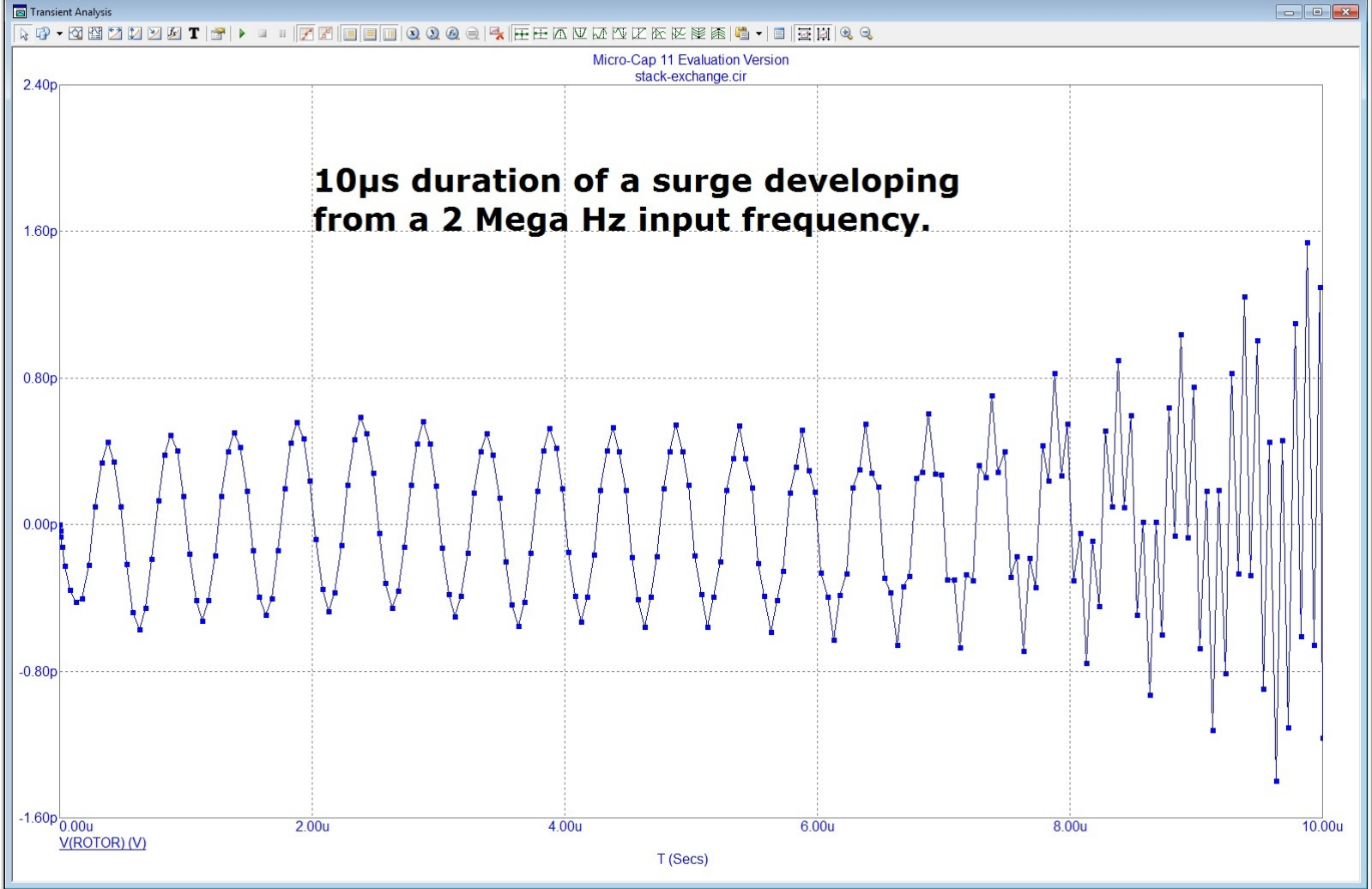


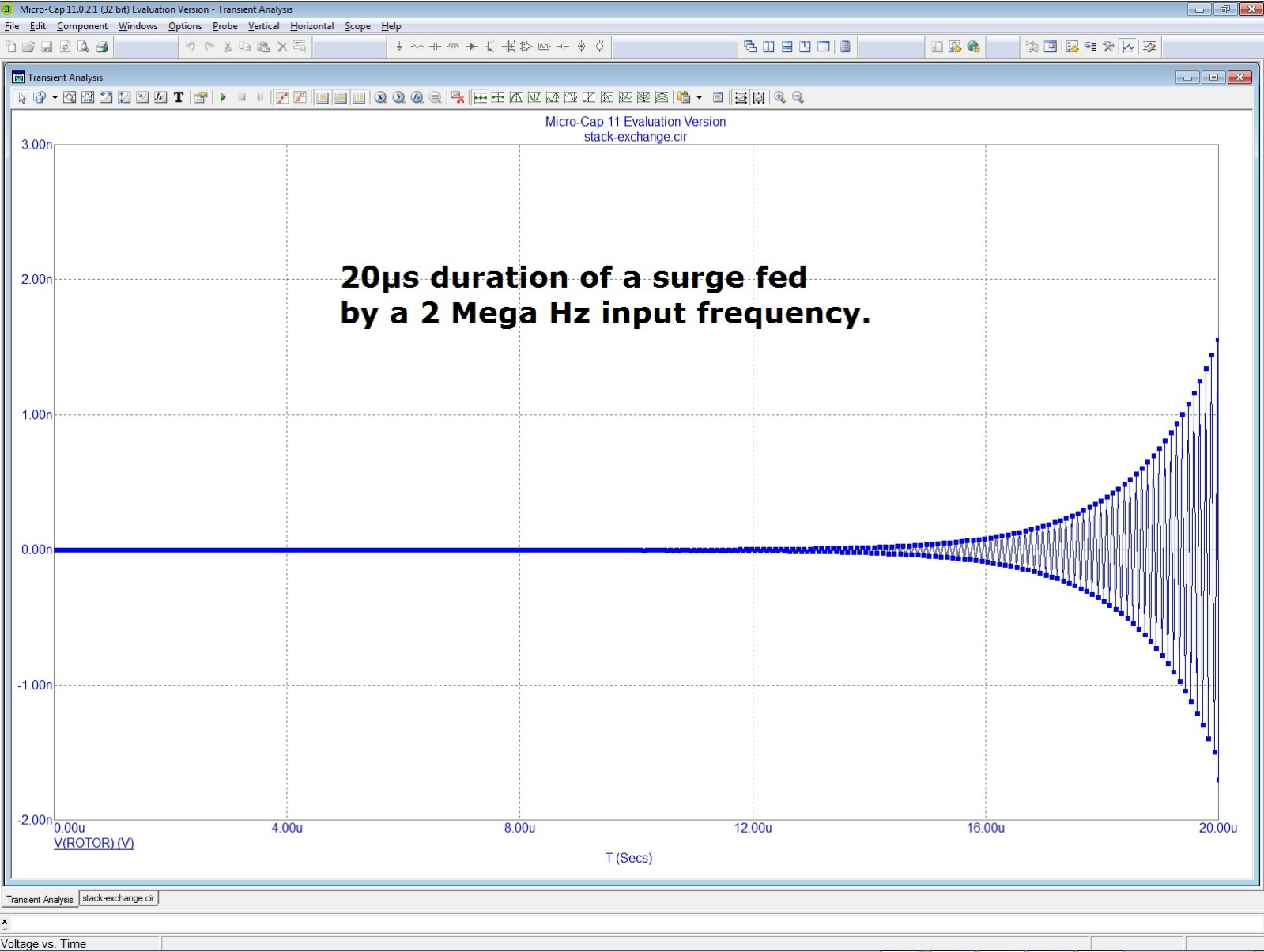
What follows are sine wave tracings showing how impossible it is for the simulator to trace a smooth sine wave while the frequency is also increasing. This causes the appearance of triangular waves distorting their smoothness ...

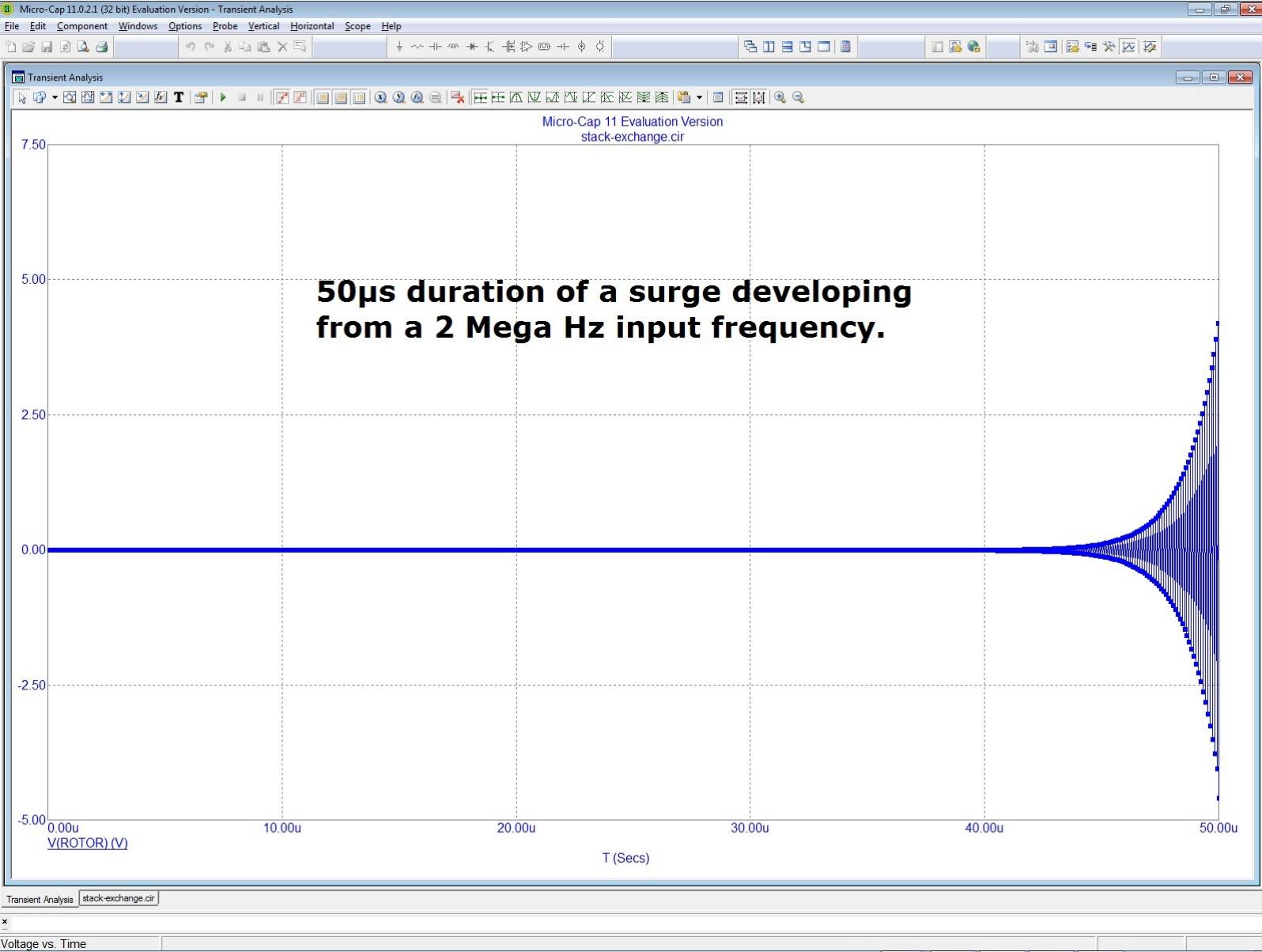












Eventually, the simulation "breaks" due to the inability of the simulator to handle larger durations of analysis when the input frequency is above 1 Mega Hz ...



Internal time step too small in transient analysis.

File: C:\Users\Vinyasi\Documents\Energ... \stack-exchange.cir

OK

Help...

"Breakdown" at 58 micro seconds into the simulated analysis when the input frequency is 2 Mega Hz.

My question has been answered to my satisfaction at [AllAboutCircuits](#) forum. {[Saved](#) and [archived twice](#).} It is this ...

The consequence of a negative power factor is a zero duration for a standing wave resulting from the mathematical union (representing the actual cross-interference) of two parent waves each of whose time-displacements are equally divergent from one another, but in opposite directions in time. Capacitive displacement shifts current ahead of voltage by 90° while inductive displacement shifts current behind voltage by an equal duration. This effectively makes their resultant daughter wave a standing wave of finite wavelength and zero duration lacking any consideration of bandwidth. Since an infinite Quality factor requires bandwidth as one of its criteria (the other factor being 'energy'), then a zero bandwidth makes my circuit a good approximation of [infinite Q](#).

Radiant Energy

The only way to give a proper definition to the term: "Radiant Energy" is to give it an historical perspective.

Around 1920, many transformations occurred in our Western civilization. We had the United States Treasury declare itself bankrupt due to the parasitic installation of the Federal Reserve nearly a decade earlier. We also had the American Medical Association, the doctor's union, declare all-out war upon [Lugol's solution](#) by renaming it "snake oil" and the snake oil salesmen who promoted it were considered "quacks" practicing medicine without a license.

Somewhere in and around this same period, we had Steinmetz invigorating electrical engineering giving it new meaning. And someone, or another, gave this subject the terminology which we have inherited to this day. Terms like: [inductive and capacitive reactance](#).

But Tesla [coined the term](#): radiant energy. And except for various revivals, such as by: [Thomas Henry Moray](#), conventional electrical engineering has [confused this primary causation of electrical energy](#) with its consequential effects of [electromagnetic radiation](#) and [gravitational radiation](#).

Yet, Tesla's usage bears [striking resemblance](#) to "[capacitive reactance](#)".

It is this capacitive reactance which is the first cause: [Tesla's Primary Solar Rays](#). And from this first cause evolves its effect: mass, matter, electromagnetic radiation, gravity, magnetism, and inductive reactance formed by physical coils made from matter.

Capacitive reactance has no need for matter to bring itself into being. All it needs is empty space between two stellar objects, such as between the Sun and our planet Earth. That is enough to create a charge – in the emptiness of space – storing the voltage difference between these two stellar bodies.

Remove this volume of empty space from between the Sun and the Earth, and replace it with fresh new space, and this new space will have no charge at all. Likewise, remove this space (between us and our Sun) to a new location between two metallic plates of equivalent surface areas as that of each side of the Sun and our Earth which face each other, and this new location (of transferred space) will register the same voltage potential difference upon these two metallic plates as was measured before.

Radiant energy is reactive power which comes in two forms of disorientation: capacitive reactance and inductive reactance. This is what radiant energy amounts to: two distinct quarters of an A/C cycle which are enumerated via complex numbers (imaginary square roots of negative one mixed with some real numbers). Conventional electrodynamics has been staring at so-called radiant energy for all of its century long career and has relegated it to a status of uselessness. The only benefit to renaming it radiant is to take away its dire innuendos and fluff it up with a feeling of self respect. Yet, it is still the same configuration of energy regardless of whether we pin a metal of honor upon its breast or not.

Professional electrical engineers have all the knowledge which is necessary to ascertain the various inventions of free-energy enthusiasts without any difficulties whatsoever. Yet, they ignore the entirety of their knowledge claiming that these inventions occupy the niche inside their knowledge which is useless and improbable to achieve. Yet, their knowledge theoretically allows for the possibility of "more energy out than in" within the realm of [infinite Quality factor](#) and dimensionless moments excluding any duration of bandwidth.

Calling radiant energy "reactance" of a coil or of a capacitor is making use of subtle psychological

manipulation of the ignorant mass of humanity to discourage them from taking free energy seriously when, in fact, this so-called reactance is the dominant energy format for the cyclically alternating conditions throughout the universe.

It is this reactance which I create, and then blend to convert it into an almost usable format of a standing wave of alternating current, namely: current is traveling backwards by conventional standards, ie. away from an area of little or no voltage towards an area of higher voltage. This could be interpreted as being equivalent to current traveling backwards in time: another mathematical analogy. But this current is not really traveling backwards *despite it could be said that it is*. Instead, this current is not even traveling at all for it, along with its voltage, are standing still when viewed from the point of view of their **wattage of zero amplitude**.

Making these various distinctions are not intended to create confusion. They are intended to point how various interpretations of this behavior are each born of their own unique perspectives. I held perspective to be very significant as a young child due to how powerful a change in perspective can affect one's conclusions about something.

Entertaining multiple perspectives one at a time gives new insights into explaining what is one and the same phenomenon.

It is not intended to confuse, nor is it intended to compete with any other perspective or conclusion, but to merely enlarge upon the various factional perspectives and conclusions to enrich our overall view of this topic. For electrodynamics is filled with technicalities to which I always endeavor to get "a handle on" by taking alternating points of view – both traditional as well as avant-garde – to enrich my perspective and hopefully integrate the apparent attempt to compete with either of these two seemingly opposing camps of humans – each of whom is forever trying to discredit the other.

"wattage of zero amplitude"

To use a mathematical equivalence ...

Zero wattage implies no movement. This type of wave is standing still. This is another way to look at it. Only movement would register a measurement of wattage using values within the set of real numbers (as compared to the complex number set measuring radiant energies, ie. reactances of either type).

This reminds me of a fellow over at [energeticForum](#) who qualified radiant energy as something which firstly has to be "captured" and then secondly it must be converted into usable format by passing through a coil, before we can put it to good use.

This tells me that this type of radiant energy (which he is referring to) is also known as capacitive reactance (the easiest radiant type of energy to produce by the way). This capacitive reactance has its current leading its voltage by 90° . Passing it through a coil (once it has already been captured) will push back its current by 90° (making good use of a coil's natural tendency to create back EMF) and, thus, realign both components of A/C so as to be able to use it.

BTW, using a coil to process radiant energy (in the previous example) is making use of inductive reactance to invert capacitive reactance so as to eliminate reactance, overall.

And this capacitive reactance IS THE DOMINANT REACTANCE existing in our universe resulting from the huge capacitively, insulative distances existing across the vast expanses of space separating stellar objects such as between our Sun and our planet Earth.

See where I'm going with this? Do you see how I am integrating these seemingly divergent perspectives of fictional separation between free energy enthusiasts and conventionally established

thought?



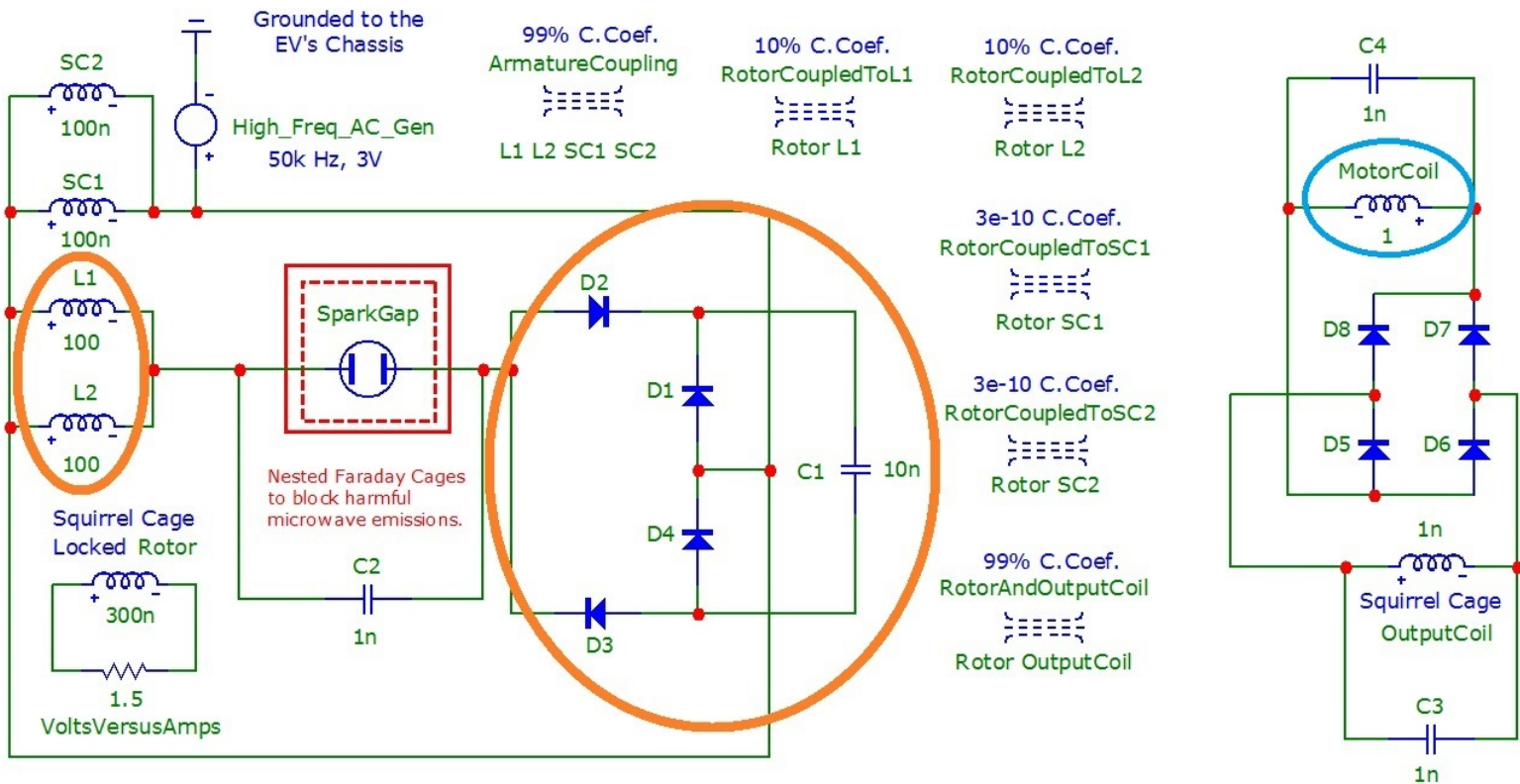
As we know from our equations governing the calculation of capacitance as a ratio between the thickness of its dielectric versus the square area of its dielectric material, this vast distance which separates stellar objects reduces the Farads between them to infinitesimal quantities. This reduction of capacitance (I have found from my previous three years of simulating Eric Dollard's analog computer in Longitudinal Magneto-Dielectric mode in an attempt to use it as a free energy, power supply booster) destabilizes this capacitance since it reaches its saturation ever-so-readily causing it to want to discharge just as readily. Hence, there is no need for anything to travel from our Sun to the Earth for the Earth will readily respond to the dielectric of empty space wanting to readily discharge its stored potential into the Earth's atmosphere.

It's hard to call this energy transference a "traveling wave of anything". And it's hard to call empty space filled with something and call this something the Aether.

Mathematically speaking, my analogy holds up as being equivalent to our stellar circumstances.

You could think that my circuit might neutralize its attempt to create a daughter wave of negative power factor since its two parent waves of opposed reactances are both inside the same circuit?

Yet, for most of the time (except during an arcing at the spark gap), it is the spark gap which acts as a dielectric boundary separating the main motor coils on the left from the capacitor fed by a full bridge rectifier on the right (circled with orange ovals). These voltage-oriented coils (on the left-hand side of this schematic) are labeled, here, as: L1 & L2, and are circled in orange in the schematic attached below. Voltage will predominate over current within these coils: L1 & L2 making them a perfect voltage-oriented counterpoising companion to the capacitor on their immediate right.

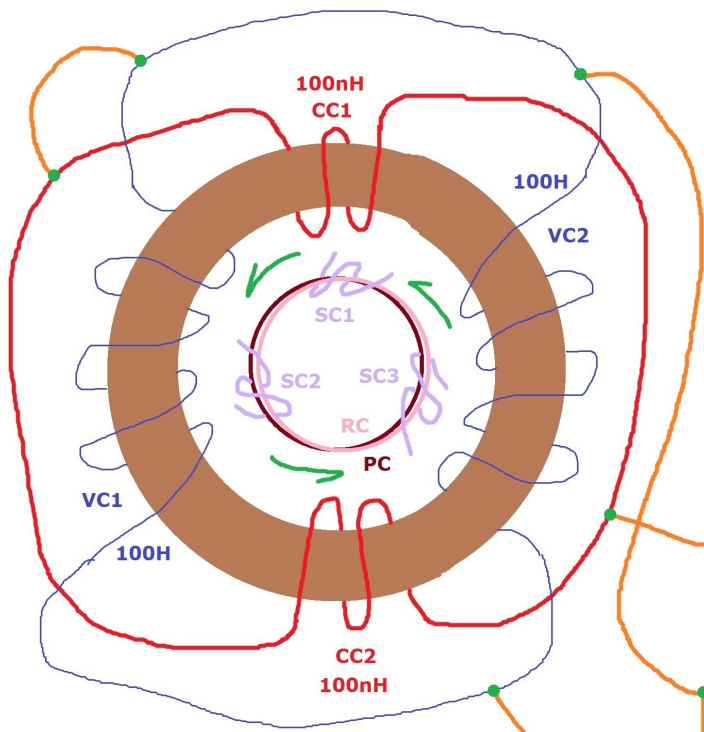


Negative unity, power factor accumulates here on this side of this circuit...

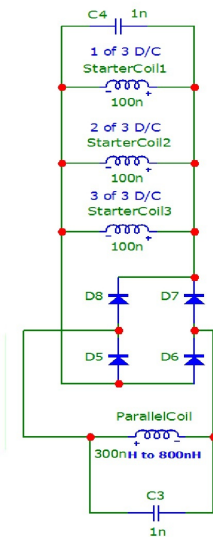
There are several transformer relationships occurring, here, some of which are in isolation.

...while a positive unity, power factor accumulates on this side of the circuit.

ARMATURE OF A SINGLE-PHASE INDUCTION MOTOR



If the Voltage Coils are wound CW, then the Current Coils and the Starter Coils are wound CCW as shown in this diagram.



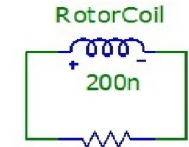
Starter Coil(1, 2, 3) = SC1, SC2, SC3

ParallelCoil = PC

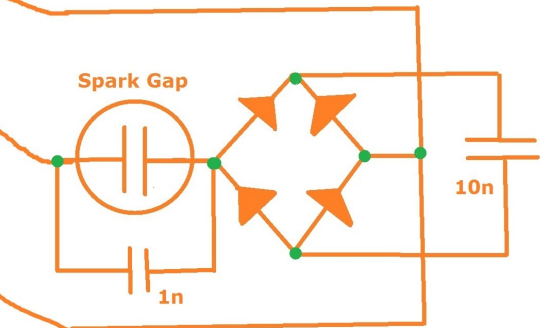
VoltageCoil(1, 2) = VC1, VC2

CurrentCoil(1, 2) = CC1, CC2

200n
RotorCoil = RC



VoltsVersusAmps



It is erroneously taught in school that the charge inside a capacitor is held within its plates. Yet, Eric Dollard teaches that a capacitor's charge is held within its dielectric material. For if the dielectric were to be removed and a new set of plates placed along either of its two sides, the same potential difference between these two new plates will arise.

This shows that the voltage difference between the Sun and Earth is held within the dielectric of empty space between them.

Not all dielectrics within capacitors are empty. Yet, sometimes they can be composed of air, or a vacuum inside a tube. And these different material circumstances can render different values of capacitance. The greater values will be in solid material while the lesser values of capacitance will be in air and still less in a vacuum. So, I can only conclude that no aether is invoked since the mathematical proportionality among these three examples of dielectric separation comprising: glass (for instance), versus air, versus a vacuum all point toward the use of solid glass before choosing a vacuum if we want this capacitor to hold a large charge. But if we don't want it to hold a charge of any magnitude, but - instead- be more inclined to discharge it, then we should choose a vacuum.

See how easy it is to fabricate a fantasy that something travels through space to get to us from the Sun?

And we all agree to the same fantasy?

Common sense? Or, collectively misguided?

I have a problem with your mental picture of "the universe". What makes you think that Earth is a planet? What makes you sure that "space" exists (if it does, then it is the same as everywhere else but without air). What makes you think that the Sun is far away?

From the standpoint of the dielectric of empty space, the lesser is the capacitance of space (by comparison to the capacitance of solid glass or mica), then the closer is the distance in the counter-space of this dielectric condition. Space and counter-space are mathematical reciprocals of each other equivalent to the condition of the number one divided by their spatial distance.

This reciprocal condition is a mathematical fiction born of our need to understand the mechanics occurring inside a dielectric separator. If we should call this mathematical condition "The Aether", then so be it!

What makes you think that there are nuclear processes in the Sun which generate energy?

I never claimed nuclear processes occurring inside our Sun. I claimed that both the Sun and the Earth are totally capable of synthesizing their own energy independently of each other except for one very important distinction: the Earth lacks self-motivation to do so. So, the Earth uses the Sun as a source of motivation. I am herein defining the distinctions between a planet and a star as being the difference between the incapacity (within a planet) to self-motivate the synthesis and decomposition of electrical energy versus the capacity (within a star) to do the same.

BTW, all spheroidal and ellipsoidal stellar objects are hollow with something at their center operating in direct opposition to their egg-thin shells (buoyed by both gravity and levity to find the happy middle position for the shell to float between these two opposing forces). It is this intrinsic dipole which makes possible the synthesis or the decomposition of electricity.

I further hold that – functionally speaking – these stellar processes are not unlike my device. Ergo, my device is a cosmological model.

The only distinction is this: whereas my device needs to have an external stimulus of a teensy sine wave generator (just like the Earth needs a stimulus from the Sun) to perform their miracle of energy synthesis, the Sun does not need any external stimulus unless I'm overlooking a stimulus coming from our Galactic center? If this latter condition is the case, then the obvious question is: where do these chains of stimuli all begin?

Would these things perhaps be in your mind because these "scientists" with their logic of "all dogs have four legs. My cat has four legs, so my cat is a dog" said so? They say that Earth is a sphere of about 25,000 miles in circumference, and they tell us what is inside this sphere even though the deepest hole ever drilled is only 8 miles deep, i.e. only one thousandth of the way to the centre? How do they know what is there and does it also say "woof"? They also still say that Americans have walked on the Moon but they fail to explain how stars can be seen through the dark sections of the Moon. Really, what level of silliness will we accept?

As interesting as the Moon is, I'm trying to remain focused on what, among conventional thought, is relevant to my study. The moon is topic enough for some other discussion once we get done with this one unless some direct relevance can be found. For you have opened up a whole 'nother can of worms!

Isolation is the key to understanding the synthesis or the decomposition of electricity – from, or back into, its constituent ingredients of time, magnetism and dielectrical forces (aka, electrostatic). For it is the lack of isolation which forms a master-slave relationship between whatever is the stronger and whatever is the weaker elements in an electrical relationship. It is this master-slave relationship of little to no isolation which makes our socially engineered collective ignorance possible. Ergo, we've been living in cities for too long forgetting the independence of thought our farming community once possessed in the early days of any culture (England, America, etc). Yet, the Amish are good examples of independent

thinking in more ways than one.

It is space, empty space, which cosmologically isolates us.

Using space, empty space, as a cosmological model for capacitance renders space into a two dimensional arena since, mathematically speaking – and perceptually as a mathematical consequential equivalence – there are only two dimensions to our relationship with the Sun, namely: distance and whatever is the mathematical equivalent square area of each sphere which faces each other. For it is these two mathematical values of distance and square area which defines spatial capacitance between these two stellar bodies. And it is this mathematical relationship which is the dominant source for energetic relationships across the cosmos, namely: capacitive reactance, aka. merely one of two varieties of radiant energy. Thus, is born the Flat Earth societies whose sole existence is the aforementioned salient feature of the cosmos.

For all things in operation are largely electrically definable. The nuclear physicist, and the quantum physicist, are the minor consequences to electrodynamics.

Physics has politicized electrodynamics by placing the latter under the auspices of the former. Yet, the opposite condition is the case: physics could not exist except as a consequence to electrodynamics.

Let's take chemical explosions, for instance ...

The chemistry of every explosive bomb can be translated into a series of electrical events. Remove the chemistry, keep the electricity, and it will be possible to induce an explosion to the exact same specifications as its chemical analog with the same resulting explosive force.

I hold that the atom is a fiction born of the cross-interference of two lines of dielectric force. Around this intersection circulates an electromagnetic ring which has the ability to radiate at close range, only. Mass and gravity are also short range influences. Only the dielectric lines of force are infinite since they don't have to travel. They are merely differences in voltage between two points across empty space. Yet, it is the capacitance of empty space which makes electrostatic communication possible far faster than the speed of light could possibly catch up to match.

In fact, I further hold that this fictional mass is born of taking the mathematical square of both sides of the following equation ...

The dielectric force equals magnetism times a number which just happens to be the speed of light.

Square both sides, and we get ...

1. The dielectric becomes energy.
2. Magnetism becomes mass.
3. And, the speed of light numeric value gets squared.

So, all energy — even mechanical energy — is ultimately sourced from the dielectric, aka capacitive reactance.

We take the square because we are crossing two dielectric lines of force to create matter. Thus, is born the mathematical fiction of a flat universe, and a flat Earth, etc.

The dielectric force of capacitance is a uni-dimensional relationship between two poles/terminals of voltage. Yet, matter can only exist as a two dimensional mathematical relationship occurring between two uni-dimensional dielectric lines of force becoming entwined.

This interaction of two dielectric lines of force I liken to how we tie a string around a package ...

We begin by bending a string around one face of a box shaped package. Then, we cross the two ends of our string on the opposite side of our package. When we cross these two ends, we give each of them a quarter turn to proceed across the other two sides of our package which we haven't yet covered with string to meet up back at the beginning side and can then tie it off.

It is this quarter turn which may be how matter gets created?

It is not enough for two lines of dielectric forces to come close enough together to almost cross. They have to also want to sling-shot past one another not unlike the mathematics of hypothetically sling-shotting an imaginary Voyager satellite around the Sun to give it extra momentum to leave our solar system.

We can travel through space if we want to waste the energy to do so. But this doesn't mean that electrostatic forces have to. Why should they be so dumb?

Tesla was really big on efficiency. Why shouldn't creation also be efficient at the microscopic level of electrical forces?

So, if [the Moon walk never happened](#), I would NOT be surprised.

Fictional Aether? Or, Fictional Self? Which is Real?

My Youtube: Your title says the Aether is a mathematical fiction.

Are you suggesting it is a fiction? Tesla said differently on several occasions and illustrated Aether by name and use in several patents. Who should we believe? Suggest you and your viewers download and read [Secrets of the Cold war Technology](#), by Gerry Vassilatos and read chapter one very carefully. – {Mirrored: [here to read and download](#). Also, mirrored: [here to read](#) versus [download it from here](#).}

Now that I have your attention ...

The aether is cosmologically a mathematical result born of what we see and measure despite its electrostatics is the first cause. All electromagnetic radiations comprising the entire spectrum, and mass, gravity, flat Earth societies, are cosmologically spawned from this mathematical resultant born of empty space and any two voltage differences no matter what distance lies between them.

Does it sound like I'm contradicting myself when I say that a cosmological mathematical resultant/fiction is the parent to all other forces of nature? Yes!

For all of these other forces we can see and measure yet are illusory in that they cannot cause anything to come into being.

Yet, the aether causes all of it. And, seemingly: contradictorally, the aether mathematically results into complex numbers from the real numbers.

This is vaguely similar to the Heisenberg uncertainty principle, but gets worse: we who call ourselves the observers are also not the first cause. We are the result born of this aether since the mass of our bodies couldn't exist without the aether causing our mass to come into being by crossing two dielectric lines of force in empty space.

So, it's largely a question of perspective. We can't believe that the square root of negative one is the parent to negative one. We feel compelled to call the former an imaginary number born of performing an impossible mathematical function of taking the square root of negative one. Yet, we easily may square this imaginary number to achieve a real number and enumerate it as the negative value of a very real number one.

So, couldn't it be said that - somehow or another - imaginary numbers come into being, first before all else, and then can easily be squared to produce real numbers?

We can't imagine the aether being the progenitor to all energies. So, we call it counter-spatial (courtesy of Eric Dollard) while at the same time relegating space as our perceptual point of reference. Yet, we have it totally backwards!

This is the dilemma facing physics: we are the fiction. We are the Maya. And that which we cannot measure, but merely infer via our mathematical oddity, of imaginary and complex numbers, is reality.

In the Vedas, it is similar ...

The three gunas are the first cause, yet they cannot be seen. They are: sattwa, rajas, and tamas, also known as purity, maintenance, and destruction.

Their blends result into the three doshas of vata, pitta and kapha also metaphorically known as: snake, frog and swan. These doshas make up our body and senses. It is these doshas which are illusory being that they are merely the result born of their parental causative gunas. Without the three gunas, these doshas could not exist.

Yet, we cannot see the gunas. They may merely be inferred. It is the doshas we can see since we may take a person's pulse (using our hands plus a special technique taught by Ayurvedic medicine which is largely intuitive and looks for these three metaphorically, psychological inner-impressions of snake, frog and swan within the patient's pulse) to diagnose any imbalances to the doshas which may exist in that person's physiology.

It is very appropriate that Plato called us: "Shadow people living in a shadow world". We are shadows, he said, cast upon the wall of perception in our mind. The light which casts this shadow is real. The shadows are not real.

The aether is this light. We and all of matter and all other energies are not real. But we'll never know this spiritual twist to our illusory physical existence so long as we seek physical answers to what is largely a non-physical situation. In other words, until we correctly phrase our questions, we'll never understand the answer waiting for us right in front of our noses.

So, I begin my quest to impart knowledge by throwing smoke in your eyes and by turning our preferred orientation upside down and inside out.

I didn't lie. We already lie to ourselves.

The truth is found by negation of whatever we take to be real.

As the Brahma sutras, among the Vedic literatures, proclaims: reality is not this, not that.....a long litany of what reality is not. Only after this list is exhausted may we begin to suspect what reality is.

Truth discovered by way of innumerable contradictions.

So, you're right by catching me with my proverbial pants down. Oops!



The Five Elements Render a Nice Hierarchy to the Manifestation of the Cosmos

[Charlie Lutes](#) used to say that this spiritual knowledge is best – not kept secret, yet – not advertised on every street corner!

There's a lot of similarities between what I'm presenting and traditional knowledge on the topic of Cosmological manifestation. Compare what I'm saying versus what Eastern wisdom has to say about the Sanskrit term for "life force", also known as: the whole range of vibratory consciousness or: [prana](#). Also similar is what Western esoterica has to say about the analogous [five elements](#).

Warning: I don't intend to confuse you, but I'm going to use the term of 'aether' to mean something other than what traditional nomenclature has usually defined it at the links within the prior paragraph.

1. **Akasha**: Absolute Pure Consciousness; fully enlightened soul; access to the "akashic records" wherein is recorded every single action of everything in Creation; Transcendental and without equivocation.
2. the **Eternal Moment** of the "NOW": a dimensionless point (of zero dimensions) locating the

spiritual heart of everything in Creation; the life-force before it materializes as a creature's breath.

3. the **Aether**: uni-dimensional, bidirectional time-line of past, present, and future; dielectric line of force; electrostatics; [capacitive reactance](#); heavenly abode of the astral plane wherein all Earthly dreams are satisfied.
4. planar, ie. two dimensional, [antakaranah](#): a Sanskrit term indicating a bridge between physicality and the astral plane of heaven; flat Earth society; vital force which animates all living creatures and vacates them upon their death; the ghost in the cemetery which "hangs out" near its associated corpse and degrades itself at the same rate as the degradation rate of the physical corpse.
5. three dimensional **physicality**: matter, mass, gravity, inertia, electromagnetic radiation and its associated spectrum (X-rays, light, heat, microwaves, radio waves, etc).

These four elements of manifestation, plus their fifth transcendental element, are metaphorically similar to the [pyramidal shapes](#) occurring in [various places around the world](#).

