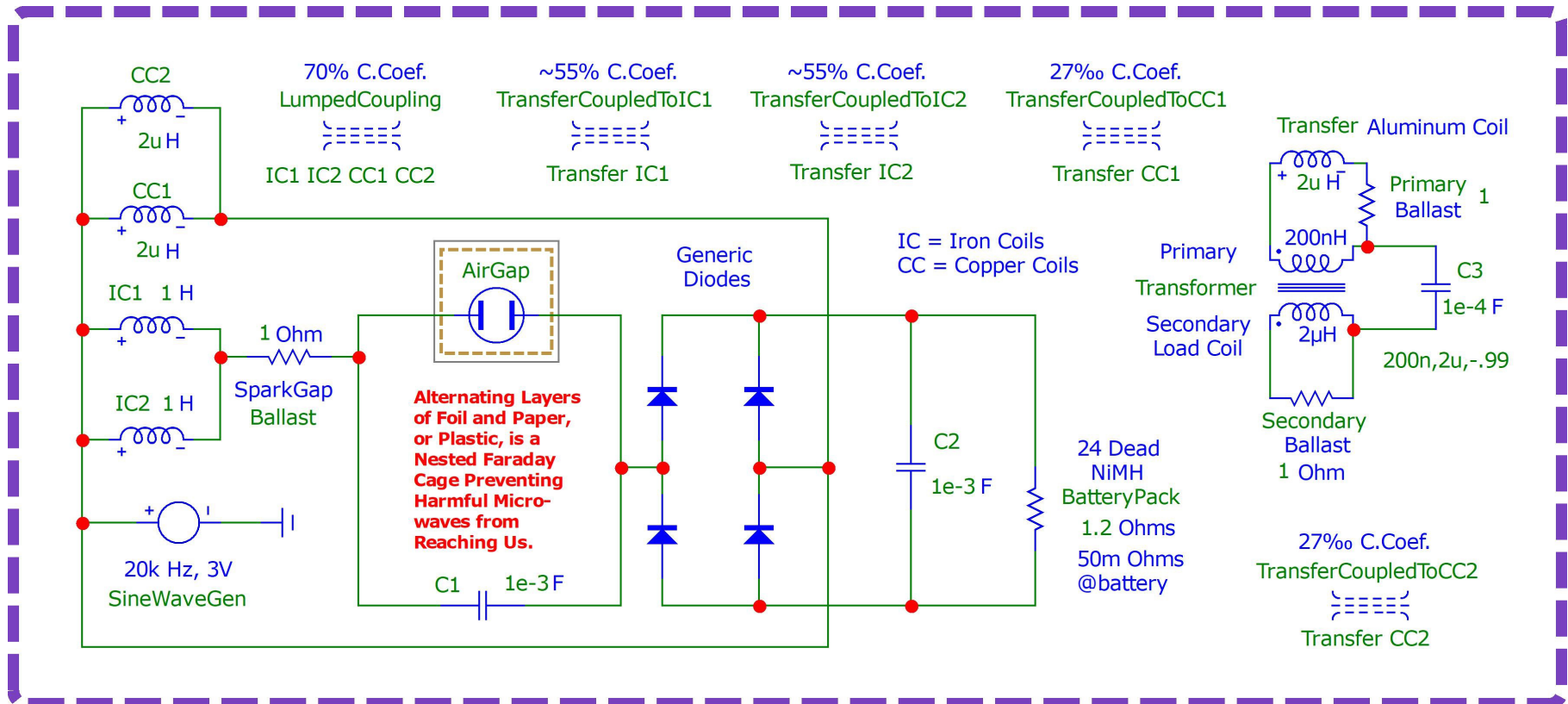


Instructions for an Output which is similar to an Ossie Callanan Circuit ^{1 2 3}

Schematic



Pick a magnetic coupling between a maximum of 99% and a minimum of the Golden Ratio (62.8%), for “LumpedCoupling”. In this example, I chose 70%. Subtract this (70%) from 100% yields 30%. Take the square root of 30% yields approximately 54.77225575% for “TransferCoupledToIC1+2”. Take the cube power of 30% (0.3³) yields precisely 27ppt, or 27‰ (2.7%) for “TransferCoupledToCC1+2”.

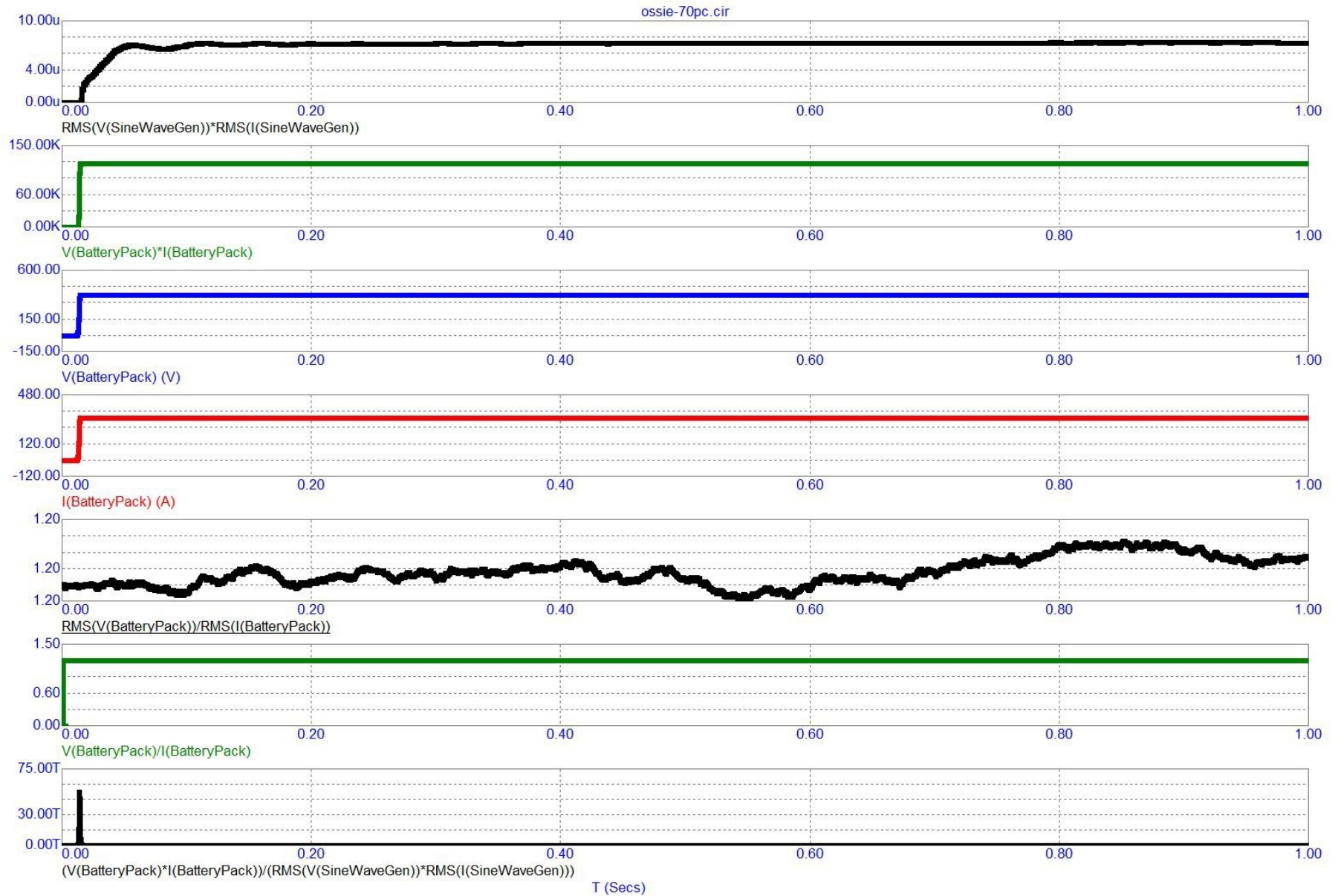
The data for Micro-Cap's perfect “Transformer” is *not ideal*. This instance is defined as: “200n,2u,-.99” indicating that its primary coil is 200nH, its secondary coil is 2μH, and its magnetic coupling is a counter winding of negative 99% mutual inductance (-.99). Had this trans-

1 [What Can Be Said Of The Golden Ratio? \(vinyasi.info\)](http://vinyasi.info)

2 [Eliminating Electrostatic Buildup in an Overunity Circuit by Mutually Shorting Its Nodes! \(vinyasi.info\)](http://vinyasi.info)

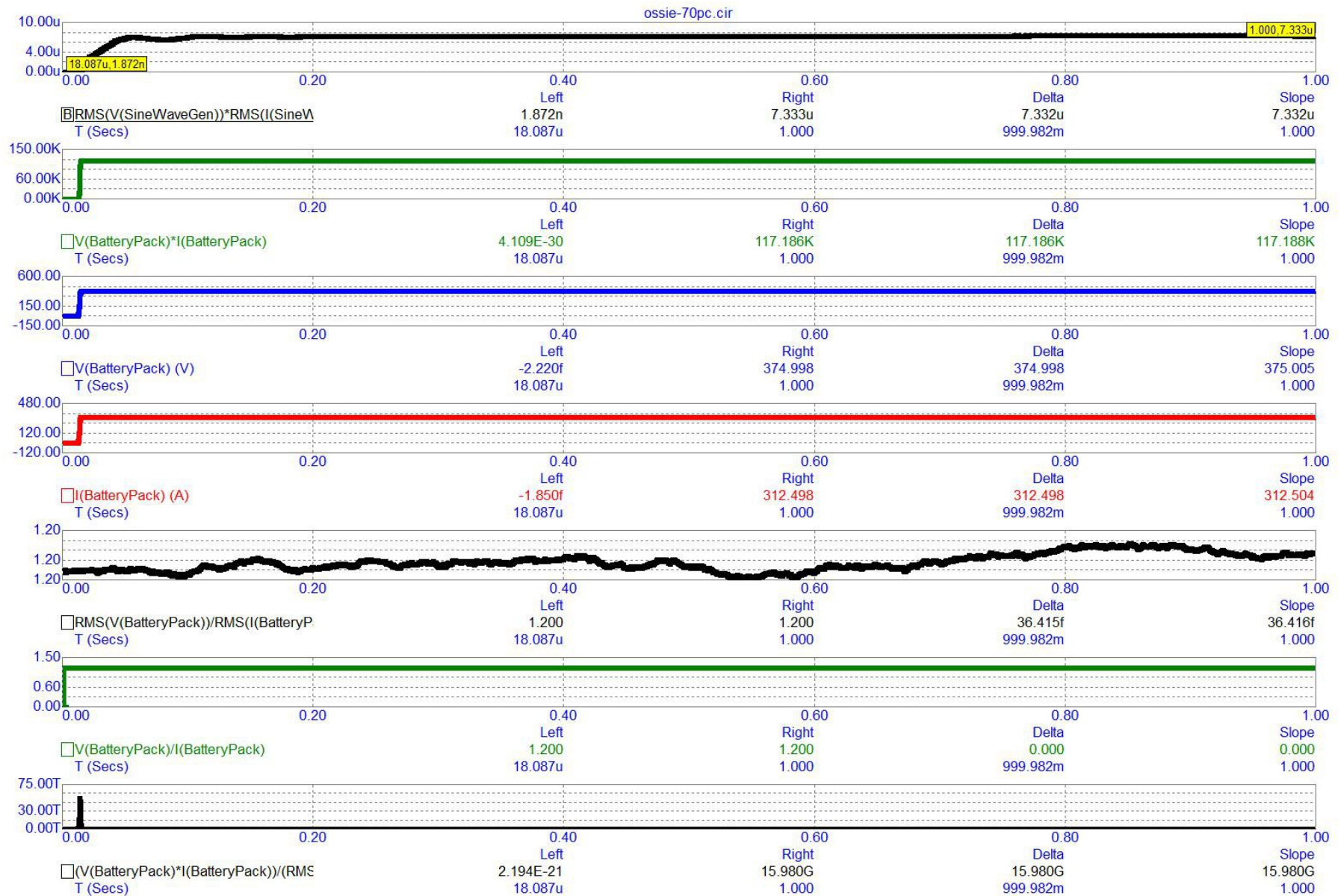
3 [The Beta Electric Motor Carriage Collection \(tzev.com\)](http://tzev.com)

Graphic Output for One Second



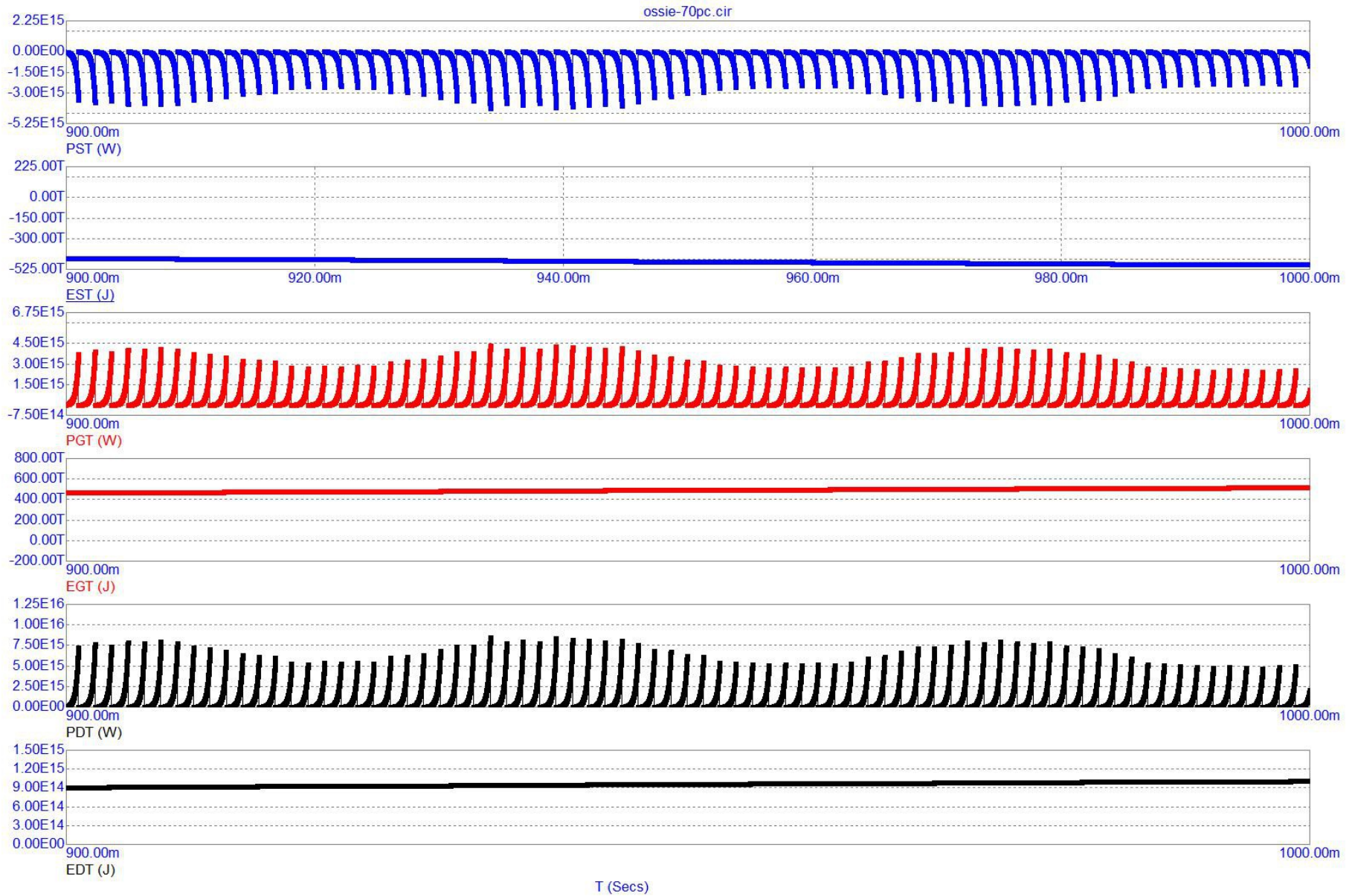
former been ideal, it would be coil/s of insulated iron windings, self-shortened with a weld, instead of a core (Tesla's patent) – infinite power.

Numeric Output for One Second



117.2kW, 375V, and 312.5A is sent [through the](#) “BatteryPack” to the motor controller of my [2002 RAV4EV](#) at a COP of 16 Giga to One.

Power versus Energy from 900 milli-seconds to One second



PST & EST generate negative Watts/Joules in caps & coils. PGT, EGT, PDT & EDT consume positive Watts/Joules in everything else.