

# 100 Watt Light Bulb Challenge

Build this circuit to power an incandescent light bulb with less than 10μW!

1 Contributor · 31 followers · 11 posts in the last week

Followed by Esa Ruoho, Steve Cummins and 19 others you follow

Admin, Invite

About Posts

### Admin dashboard

Views	Follows	Upvotes	Comments
1.5K	9	2	1
Last 7 days			
Invite	People	Queue	Settings
			Admin log

1 Contributor

**Vin Yasi** Self-taught hobbyist at Electrical Engineering (2013-present)

**Details**

Reactive power output need not be similar to real power input under conditions of input starvation.

Post in 100 Watt Light Bulb Challenge... Inbox

Top

**Pinned**

**Vin Yasi** · Self-taught hobbyist at Electrical Engineering (2013–present) · Updated 17m

**Backup Mirror**

100-Watt Light Bulb Challenge — Blogspot

*Eventually, I'll get everything mirrored there even though it may take me awhile to catch up. I don't give myself a chance to catch up; I'm so busy posting more stuff. The creative side of me won't let up!*

If you're curious, here's another free energy challenge I started immediately prior to this one ...

<https://tinyurl.com/oucontest>

This shortcut expands into ...

**Welcome to my Contest to See Who Can Build my Overunity Circuit? | Magical Me**

A Simpler(?) Challenge than the Contest, Below Surf to:...

<https://vinyasi.podbean.com/e/welcome-to-my-contest-to-see-who-can-build-m...>

149 views Upvote Downvote Comment Refresh

Add a comment... Add comment

**Vin Yasi** · Self-taught hobbyist at Electrical Engineering (2013–present) · 41m



There is more than one way to get current to move in a copper coil and produce magnetism to run our electric vehicle. | Magical Me

Copyright 2022 All rights reserved. Podcast Powered By Podbean

https://vinyasi.podbean.com/e/there-is-more-than-one-way-to-get-current-to-m...

1 view

Upvote, Downvote, Comment, Refresh icons

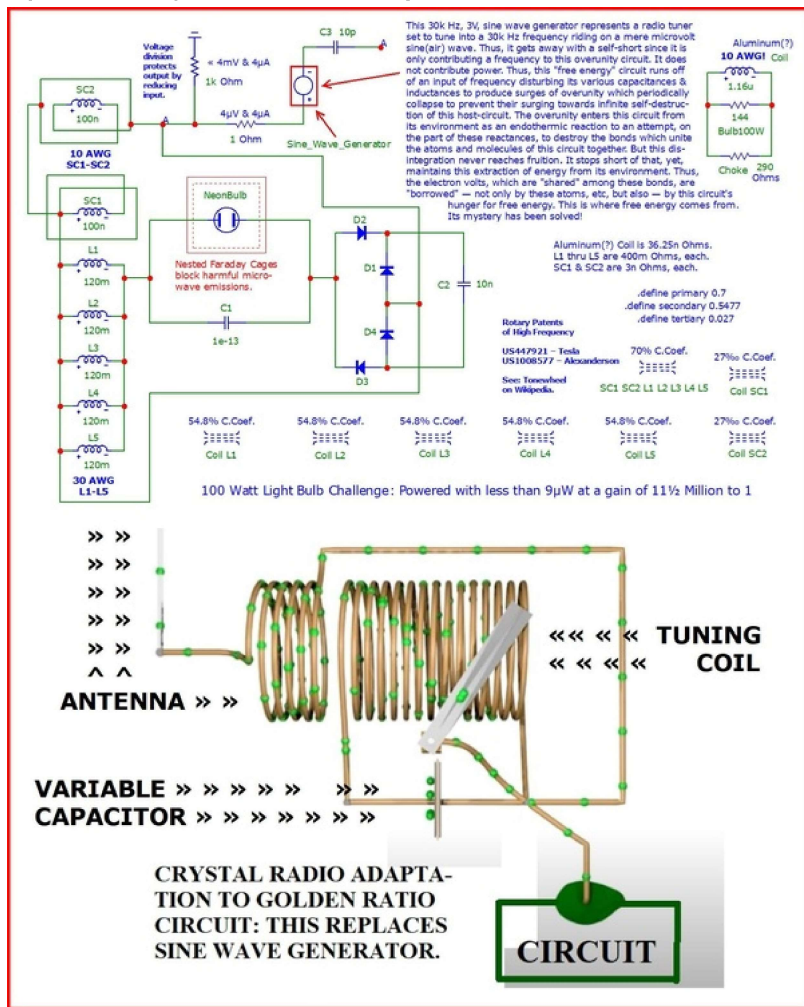
Add a comment...

Add comment



Vin Yasi · Self-taught hobbyist at Electrical Engineering (2013–present) · 1h

Adaptation of a Crystal Radio Tuner to Replace a Sine Wave Generator



Index of /mhoslaw/Parametric Transformers/2023/May/crystal\_radio

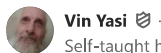
http://vinyasi.info/mhoslaw/Parametric%20Transformers/2023/May/crystal\_radio/

4 views

Upvote, Downvote, Comment, Refresh icons

Add a comment...

Add comment



Vin Yasi · Self-taught hobbyist at Electrical Engineering (2013–present) · Tue

Messages

- M L Nov 26  
I don't see how this constitutes lies. High...
- Yanky Z Nov 23, 2022  
It won't be easy to answer any questions at your...
- Ayhan Arican Sep 28, 2022  
I agree...
- Franco Bruno Aug 5, 2022  
Corteletti  
I just had a posting removed deemed to be...
- Tvrtko Rajcevic Jul 29, 2022  
Thank you for asking me to answer the question that...
- Mitko Gorgiev Jul 28, 2022  
Thanks Vin ;)



### The bully is a good analogy for free energy. | Magical Me

The bully is the embodiment of the principle of the lever in which only a little bit of...

<https://vinyasi.podbean.com/e/the-bully-is-a-good-analogy-for-free-energy/>

64 views · View 1 share



1



Add a comment...

Add comment



Vin Yasi ·

Self-taught hobbyist at Electrical Engineering (2013–present) · Tue

Nice try ...!



Solar Energy

Knows English · May 21

### Is the energy of an atomic or a molecular bond real power when it is released upon its breakage versus reactive power when it is borrowed as during its use within a live circuit?

The energy released upon the breakage of an atomic or molecular bond is considered real power, as it is actual usable energy that can perform work or be converted into other forms of energy. This energy can be harnessed for various purposes.

On the other hand, reactive power is associated with the borrowing or lending of energy within a live circuit, typically due to inductive or capacitive components. Reactive power does not perform actual work but is necessary for maintaining the balance and stability of the electrical system.

In summary, the energy released upon the breakage of a bond is real power, while reactive power is related to the borrowing and lending of energy within an electrical circuit.

[Solar Energy - Specializing In Everything Solar \[2023\]](#)

4 views · 1 upvote · 1 share · 1 comment

72 views



1



Add a comment...

Add comment



Vin Yasi · Tue

Resistance converts reactive power into real power. Thus, reactive power can do useful work.

This is why lighting up incandescent light bulbs is the simplest method for utilizing reactive power.

The Lockridge Device is one example ...

[Bedini & The Lockridge Device - Energetic Forum](#)

[Energy From the Vacuum - The Lockridge Device \(teslagenx.com\)](#)

[John Bedini Window Motor – Nikola TESLA 3 generations later](#)

[IceStuff.com: JOHN BEDINI MOTOR DIAGRAMS AND LAB NOTES from The Encyclopedia of free energy,energy21.org,energy 21 org ,Geoff Egel](#)



Reply



Vin Yasi ·

Self-taught hobbyist at Electrical Engineering (2013–present) · Tue

Finally! Some technical data ...



Wayne Peltier

Former Lab Supervisor, Industrial Chemist (1984–2011) · Mon

### Can real power input be supplemented with reactive power output derived from the chemical bonds which hold the atoms (of a circuit) together up to the limit of their tolerance before disintegration takes place?

- Messages
- M L Nov 26  
I don't see how this constitutes lies. High...
  - Yanky Z Nov 23, 2022  
It won't be easy to answer any questions at your...
  - Ayhan Arican Sep 28, 2022  
I agree...
  - Franco Bruno Aug 5, 2022  
Corteletti  
I just had a posting removed deemed to be...
  - Tvrtko Rajcevic Jul 29, 2022  
Thank you for asking me to answer the question that...
  - Mitko Gorgiev Jul 28, 2022  
Thanks Vin :)

In the covalent bonds internal to each ion.

related:

**Zwitterion - Wikipedia**  
 From Wikipedia, the free encyclopedia Molecule containing an equal number of...  
<https://en.wikipedia.org/wiki/Zwitterion#>

**Electrical resonance - Wikipedia**  
 Resonant circuits can generate very high voltages. A tesla coil is a high-Q resonant...  
[https://en.wikipedia.org/wiki/Electrical\\_resonance](https://en.wikipedia.org/wiki/Electrical_resonance)

Resonant circuits exhibit ringing and **can generate higher voltages or currents than are fed into them.** They are widely used in [wireless](#) (radio) transmission for both transmission and reception.

...edit

Such a capacitor would likely heat up quickly so thermal stability and temperature control become important issues.

**Dielectric spectroscopy - Wikipedia**  
 A dielectric permittivity spectrum over a wide range of frequencies. The real and...  
[https://en.wikipedia.org/wiki/Dielectric\\_spectroscopy#Dipole\\_relaxation](https://en.wikipedia.org/wiki/Dielectric_spectroscopy#Dipole_relaxation)

Perhaps the zwitterion microcrystals could be embedded in a polymer matrix. Chemical environment makes a big difference.

18 views · 1 upvote · 2 shares

61 views · View 1 upvote

Matthew Crochet upvoted this

Upvote · 1

Add a comment... Add comment

**Vin Yasi** ·  
 Self-taught hobbyist at Electrical Engineering (2013–present) · Updated Tue

**Can Valence Electrons Supply Energy, i.e. —  
 Can Energy be Extracted from out of the Bonds which Hold Atoms and Molecules together to Perform Useful Work?**

**You betcha!**

I've always known that I am studying the electrical equivalent of an incendiary device whenever I [successfully perform an overunity experiment](#) ...

Messages

**M L** Nov 26  
 I don't see how this constitutes lies. High...

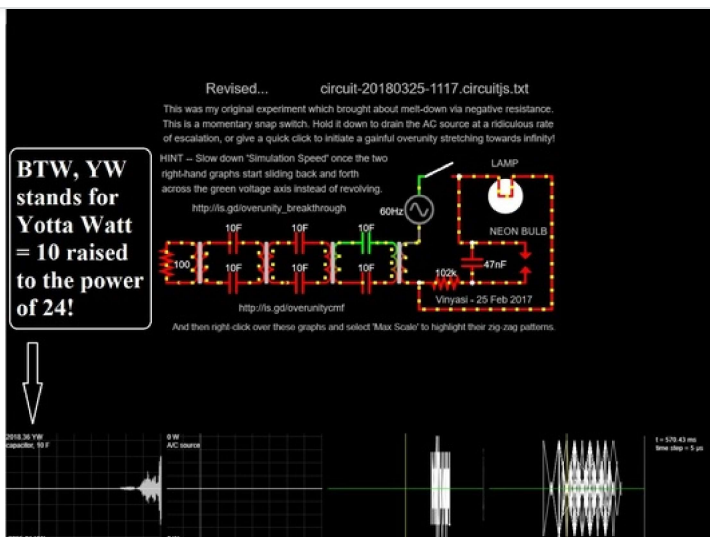
**Yanky Z** Nov 23, 2022  
 It won't be easy to answer any questions at your...

**Ayhan Arican** Sep 28, 2022  
 I agree...

**Franco Bruno Corteletti** Aug 5, 2022  
 I just had a posting removed deemed to be...

**Tvrtko Rajcevic** Jul 29, 2022  
 Thank you for asking me to answer the question that...

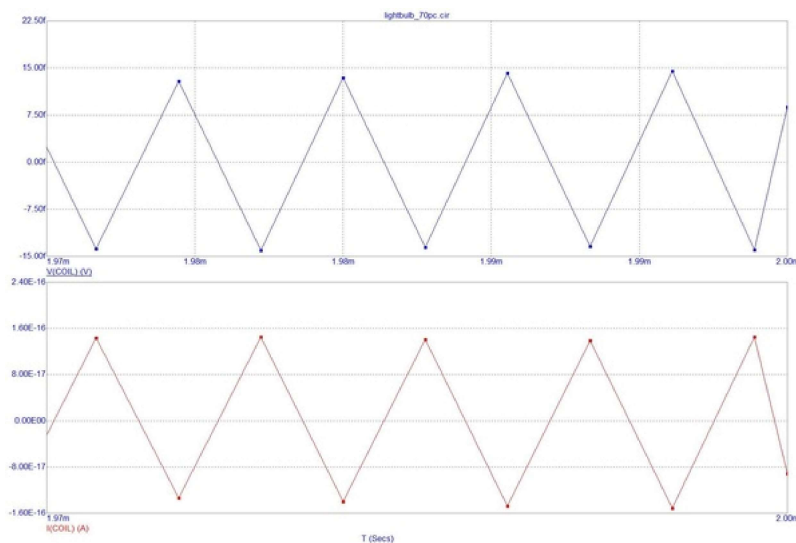
**Mitko Gorgiev** Jul 28, 2022  
 Thanks Vin ;)



But what does this mean?

It means that whenever the energy of an atom or a molecule exceeds its valence electron charges, then it disintegrates in an explosive manner **exactly similar to** if it had been *a bomb*.

But I don't restrict myself to merely the application of raw power to blow up my circuits. I enhance this process by prematurely splitting up the waves of voltage and current ...



*The evidence of the splitting of the waves of voltage from the waves of current is whenever their phase relation exactly matches one-half cycle, or 180°, of temporal displacement.*

... long before the amplitude of this energetic buildup actually results in the eventual destruction of its host-circuit ...

Messages

M L Nov 26  
I don't see how this constitutes lies. High...

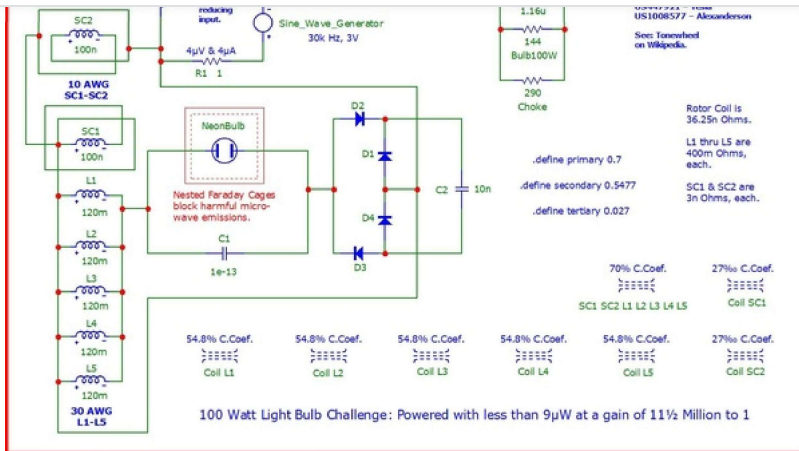
Yanky Z Nov 23, 2022  
It won't be easy to answer any questions at your...

Ayhan Arican Sep 28, 2022  
I agree...

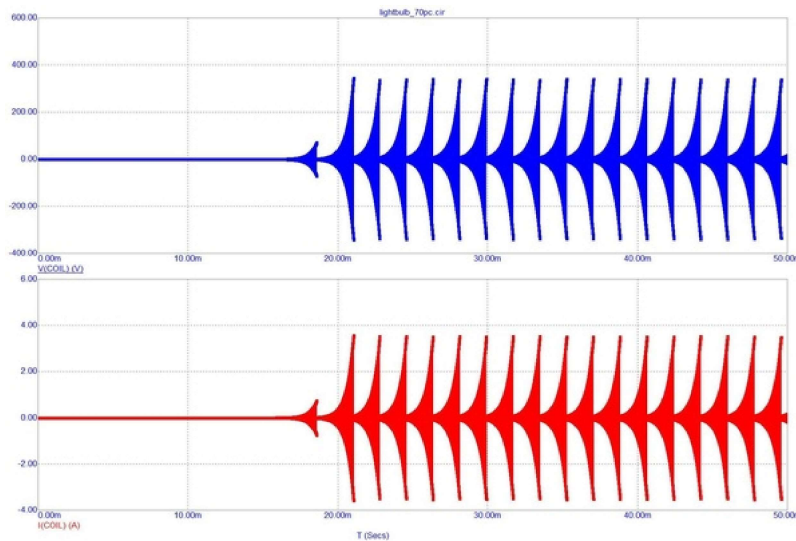
Franco Bruno Aug 5, 2022  
Corteletti  
I just had a posting removed deemed to be...

Tvrtko Jul 29, 2022  
Rajcevic  
Thank you for asking me to answer the question that...

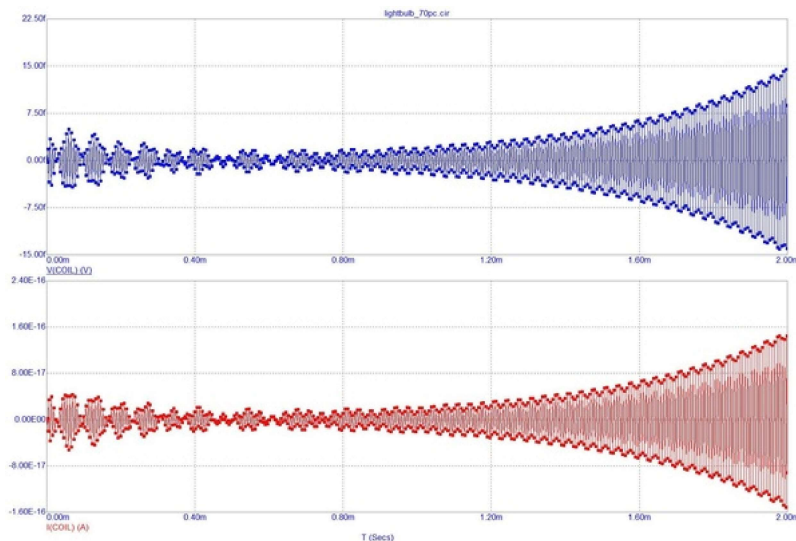
Mitko Jul 28, 2022  
Gorgiev  
Thanks Vin :)



Furthermore, I spike these waves as triangular waves to encourage this self-destruction of the host-circuit long before it actually happens. Because if it never escalates to sufficient amplitudes of self-destruction, then the host-circuit remains intact to continuously supply its load with an indefinite supply of power. And this preservation of this proverbial "Goose which lays Golden Eggs" is easily accomplished by periodically collapsing the surges ...



... of these escalating waves of triangular spikes ...



Triangular waves also prohibit the saturation of coils. If I had *fully powered* my test circuits with a sine wave, or allowed sine waves to *dominate* my test circuits, then saturation of my coils is guaranteed along with a consequential limit which is imposed upon all of these coils to prevent

Messages

- M L Nov 26: I don't see how this constitutes lies. High...
- Yanky Z Nov 23, 2022: It won't be easy to answer any questions at your...
- Ayhan Arican Sep 28, 2022: I agree...
- Franco Bruno Corteletti Aug 5, 2022: I just had a posting removed deemed to be...
- Tvrtko Rajcevic Jul 29, 2022: Thank you for asking me to answer the question that...
- Mitko Gorgiev Jul 28, 2022: Thanks Vin :)

Quora



And if the coils cannot amplify themselves beyond this limitation, then every other component – especially capacitors – will, likewise have to “tow the line” of this self-imposed restriction.

This prejudices circuitry in favor of the “Conservation of Energy” which could be renamed, the *Preservation of Mediocrity* in light of maintaining this status quo of conventional disappointments.

The formation of this unique behavior of unconventional overunity (in contradistinction to conventional underunity) begins by severely restricting input power to prevent the suppression of this process. For, the analogous term for a “voltage source” is “voltage regulation”. Hence, it is an irony that the very necessity for a voltage source to power a circuit is also the bane of its overunity!

Yet, all is not lost. For, there is another overunity requirement of discouraging the flow of current so as to induce its reversal.<sup>[1]</sup> This reversal is defined, by passive sign convention, to be the generation of power. This condition exalts a circuit to overunity status since it is no longer completely dependent upon outside sources of energy wherein most of its energy will arise from within itself.

As an aside ...

Like overunity circuits, we – who deem ourselves yogis – encourage our own evolution rather than avoid it. We seek within our self for all of our intelligence, creative energy and bliss rather than depend upon anyone else outside of our self to “make us happy”. This is the gift of self-sufficiency which any master of yoga is able to inspire in his devotees if he is at all worthwhile to follow. This inspiration is external to the aspiring yogi and is overwhelmed by the devotion to the path of yoga which the aspiring yogi must adhere to if success is to be achieved.

So, this analogy of self-reliance sprinkled with a little inspiration from outside the self describes both the path of yoga as well as the mechanics of “free energy”.

Current needs an exit to encourage its formation to support underunity. Otherwise, to support overunity: the application of a potential difference of voltage across the singular terminal which serves as the inlet for empowering a circuit will result in the reversal of current as the flow of current will seek an escape the only way it knows how: through the very terminal of its entrance.

Hence, this reversal of current is the secret to how low levels of background voltage, analogously existing within our environment, is sufficient for an overunity circuit to perform its magic if all other requirements are met.

Thanks goes out to all of you who have been my opportunity to remember what I already knew by quarreling with me over this!<sup>[2]</sup> <sup>[3]</sup> <sup>[4]</sup>

Yahoo ...!

Here is a text-to-speech version of this post ...

Messages



M L

Nov 26

I don't see how this constitutes lies. High...



Yanky Z

Nov 23, 2022

It won't be easy to answer any questions at your...



Ayhan Arican

Sep 28, 2022

I agree...



Franco Bruno

Aug 5, 2022

Corteletti

I just had a posting removed deemed to be...



Tvrtko

Jul 29, 2022

Rajcevic

Thank you for asking me to answer the question that...



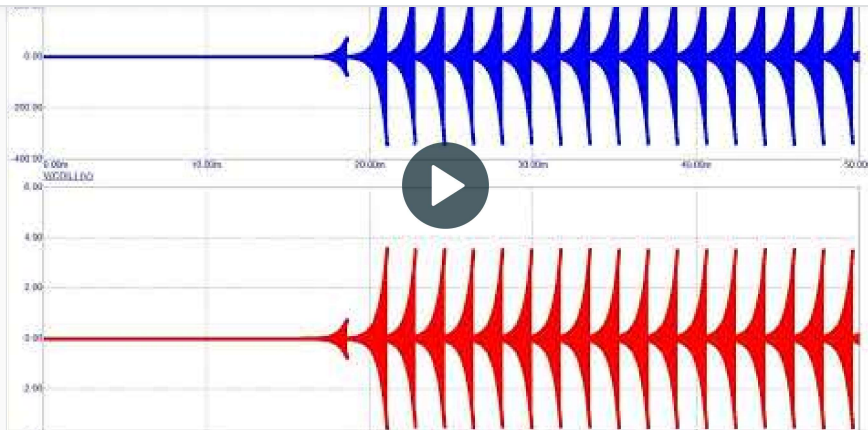
Mitko

Jul 28, 2022

Gorgiev

Thanks Vin :)

Quora



### Within the context of the following comment, my response is very pertinent ...

In the context of borrowing energy associated with atomic or molecular bonds, it is not accurate to directly equate it to reactive power in an electrical circuit.

Reactive power in an electrical circuit is a measure of the power oscillations caused by reactive components such as inductors and capacitors. It represents the exchange of energy between the source and the load without performing useful work.

On the other hand, when energy is borrowed from atomic or molecular bonds, it usually refers to the energy required to break those bonds and release their potential energy. This energy can be utilized to perform useful work or generate power. Once the bonds are broken, the energy is not "returned" to the source of its loan in the same sense as reactive power. Instead, it is typically transformed into other forms of energy, such as heat or mechanical work.

Therefore, the concept of borrowing energy associated with atomic or molecular bonds does not align directly with the concept of reactive power in an electrical circuit. The utilization of energy from atomic or molecular bonds involves the conversion of potential energy into other useful forms, rather than a temporary exchange of power without performing work.

### My response ...

You're probably right from a conventional standpoint. But I'm trying to promote something unconventional by seeking an explanation of where does overunity come from when an excess of energy shows up in the utility grid of northern India when the generators are off-line and there should not be any energy occurring there ...

[https://www.researchgate.net/publication/324978006\\_Low\\_Frequency\\_Oscillations\\_in\\_Indian\\_Grid](https://www.researchgate.net/publication/324978006_Low_Frequency_Oscillations_in_Indian_Grid)

— yet, it does. How to explain this? Can you explain this?

*Consider the chemical equivalent of boiling water when it merely evaporates on a concrete sidewalk.*

Without the process of overtly boiling, some of the molecules boil (anyway) producing evaporation. We may not call this boiling. We may not call this a limited version of boiling. Yet, that's what it is.

We are limited by what we see — which in this case, what we see is merely evaporation.

Like this, your conventional approach is merely what we see to explain only what we see on a macro-level.

It's a fine explanation as far as it goes, but no further.

Teachers within the domain of universities (and such) are like doctors who will lose their license if their union finds them at fault for talking to us about anything their union has decided is not in the best interest of their profession to talk about (with us) unless we bring it up first. And even then, they may refuse to talk about it with us. That's their choice. That does not mean it's a useless question without a useful answer.

How can we bring it up if the media and schools do not teach us about everything that we could be asking our doctor (or teacher) about?

Such as, ...

### Messages



M L

Nov 26

I don't see how this constitutes lies. High...



Yanky Z

Nov 23, 2022

It won't be easy to answer any questions at your...



Ayhan Arican

Sep 28, 2022

I agree...

Franco Bruno  
Corteletti

Aug 5, 2022

I just had a posting removed deemed to be...

Tvrtko  
Rajcevic

Jul 29, 2022

Thank you for asking me to answer the question that...

Mitko  
Gorgiev

Jul 28, 2022

Thanks Vin :)





ask. But what about most people who don't know enough to ask? She is constrained by the American Medical Association, a.k.a. her union, not to talk about that subject unless I bring it up. Only then, can she talk about it.

I don't think teachers tell us everything not because they don't know about it and not because it's not scientific but because it's not commercially viable.

[link to this post]

Sorry for the inconvenience of being put on the spot. But this was the only way I knew how to try to get an answer if I was at all capable of answering the question myself because I did not know I could. Only by asking it and getting various responses from people like yourself on how to ask it differently etc. etc. could I come to the conclusion that I already know the answer!

Thank you, again and again, for your participation.

Footnotes

[1] [https://www.youtube.com/watch?v=Hsyx6Wv\\_1ro&list=PL1HkUyqULCxx3ABL3PsTM1Erddo0RLY5f&index=23](https://www.youtube.com/watch?v=Hsyx6Wv_1ro&list=PL1HkUyqULCxx3ABL3PsTM1Erddo0RLY5f&index=23)

[2] Vin Yasi's post in 100 Watt Light Bulb Challenge

[3] Vin Yasi's post in 100 Watt Light Bulb Challenge

[4] Get Smart's answer to Is the energy of an atomic or a molecular bond real power when it is released upon its breakage versus reactive power when it is borrowed as during its use within a live circuit?

135 views · View 1 upvote

Upvote - 1 [downvote] [comment] [refresh] [more]

Add a comment... [Add comment]

**Vin Yasi** · Self-taught hobbyist at Electrical Engineering (2013–present) · May 20  
"Reactive power is not typically associated with the breaking of atomic or molecular bonds"

I agree.

But what about borrowing the energy associated with atomic or molecular bonds just as reactive power is never spent but is merely borrowed and then returned to the source of its loan?

Materials Chemistry and Engineering · May 20  
**Is the energy of a non-nuclear atomic or a molecular bond available as real power upon the breakage of these bonds versus reactive power when it is borrowed as during its use within a live circuit?**  
The energy associated with the breaking of atomic or molecular bonds can be released as real power i...

124 views

Upvote [downvote] [comment] [refresh] [more]

Add a comment... [Add comment]

**Vin Yasi** · Self-taught hobbyist at Electrical Engineering (2013–present) · May 20  
A curious mind wants to know the answer to this mystery one way or another. I'll either figure it out myself, or else I'll get the answer from somebody else.

**C Get Smart**  
MSEE in Electrical Engineering & Communications (TV Broadcasting), California State University, Los Angeles (Graduated 1999) · May 20

**Is the energy of an atomic or a molecular bond real power when it is released upon its breakage versus reactive power when it is borrowed as during its use within a live circuit?**

Fusion or fission,  $E = mc^2$ . These are atomic bombs or nuclear reactors.

31 views · 1 upvote · 1 share · 5 comments

Messages [envelope icon]

**M L** Nov 26  
I don't see how this constitutes lies. High...

**Yanky Z** Nov 23, 2022  
It won't be easy to answer any questions at your...

**Ayhan Arican** Sep 28, 2022  
I agree...

**Franco Bruno Corteletti** Aug 5, 2022  
I just had a posting removed deemed to be...

**Tvrtko Rajcevic** Jul 29, 2022  
Thank you for asking me to answer the question that...

**Mitko Gorgiev** Jul 28, 2022  
Thanks Vin ;)



Add a comment...

Add comment



Vin Yasi

Self-taught hobbyist at Electrical Engineering (2013–present) · May 20

I merely used real power as a set up. It was never intended to be the subject of the question.

The subject of the question is reactive power and its relation to chemical bonds.

Since reactive power is never spent — it is merely lent on a borrowing basis, on a loan basis, and paid back (unless some of it converts into real power and is lost through heat or some other inefficiency), likewise — I was considering the possibility that chemical bonds (their energy, one way or another, lost or gained when they're formed or broken; the storage of either: a debt of energy or a storehouse of energy, either way): how is that parlayed into a loan situation that can be borrowed and re-borrowed just as reactive power can be loaned and reloaned on a continuing basis?

Jimswen · May 20

**Is the energy of the valence electrons of an atomic or a molecular bond available as real power when it is broken versus reactive power when it is borrowed as during its use within a live circuit?**

I think there are some wrong ideas built into this question. Energy is not released when a bond is...

79 views



Upvote



Add a comment...

Add comment



Vin Yasi

Self-taught hobbyist at Electrical Engineering (2013–present) · May 20

### Physical vs Simulated Synchronicity<sup>[1]</sup>

Mathew's plea for "credibility" (posted as a comment underneath my [plea for documentation](#)) loses some more traction since I admit that it will be impossible to replicate my gain of 11½ million to 1 since it is impossible to exactly synchronize all physical components of a circuit to achieve a maximum efficiency of coefficient.

It's easy enough for simulators to achieve such fantastic gains, yet much harder for us to do the same.

This gainful output, by way of synchronicity, is not the same type of gain (of efficiency) as is the gain achieved by "resonance" since resonance implies matching inductive impedances with capacitive impedances to reduce overall impedance when these two types of impedances are in series (not in parallel). Resonance, under these circumstances, can definitely improve performance. But I don't usually pursue it since its contribution is so small, by comparison to synchronicity of components, and definitely not a requirement for demonstrating proof-of-concept.

Despite this, please don't assume that resonance is not worthy of pursuit. It *is worthy of pursuit* and will probably help to overcome any shortcomings which may result from a lack of physical synchronicity.

#### Footnotes

[1] [Coaxial Encasement of the Project Box](#)

87 views



Upvote



Add a comment...

Add comment



Vin Yasi

Self-taught hobbyist at Electrical Engineering (2013–present) · Updated 17m

#### Archive

Messages

- M L Nov 26  
I don't see how this constitutes lies. High...
- Yanky Z Nov 23, 2022  
It won't be easy to answer any questions at your...
- Ayhan Arican Sep 28, 2022  
I agree...
- Franco Bruno Aug 5, 2022  
Corteletti  
I just had a posting removed deemed to be...
- Tvrtko Jul 29, 2022  
Rajcevic  
Thank you for asking me to answer the question that...
- Mitko Jul 28, 2022  
Gorgiev  
Thanks Vin ;)



Copies of all posts within the ZIP file associated with this "Challenge" which can be downloaded at my website

http://vinyasi.info/mhoslaw/Parametric%20Transformers/2023/May/lightbulb\_challenge.zip ... or at: UFiles . io. I've stored each and every version at UFiles. Here is a list of their download links in descending order from the most current version to the earliest version ...

Upload files for free - lightbulb\_challenge.zip - ufile.io
Download lightbulb\_challenge.zip for free from ufile.io instantly, no signup required...
https://ufile.io/erxvz0jc

Upload files for free - lightbulb\_challenge.zip - ufile.io
Download lightbulb\_challenge.zip for free from ufile.io instantly, no signup required...
https://ufile.io/12w5s7ft

Upload files for free - lightbulb\_challenge.zip - ufile.io
Download lightbulb\_challenge.zip for free from ufile.io instantly, no signup required...
https://ufile.io/67p5ukh5

Upload files for free - lightbulb\_challenge.zip - ufile.io
Download lightbulb\_challenge.zip for free from ufile.io instantly, no signup required...
https://ufile.io/3qs66xp5

Upload files for free - lightbulb\_challenge.zip - ufile.io
Download lightbulb\_challenge.zip for free from ufile.io instantly, no signup required...
https://ufile.io/sjjuqx3a

Upload files for free - lightbulb\_challenge.zip - ufile.io
Download lightbulb\_challenge.zip for free from ufile.io instantly, no signup required...
https://ufile.io/90mqmrh1

Upload files for free - lightbulb\_challenge.zip - ufile.io
Download lightbulb\_challenge.zip for free from ufile.io instantly, no signup required...
https://ufile.io/nv24h7xj

Upload files for free - lightbulb\_challenge.zip - ufile.io
Download lightbulb\_challenge.zip for free from ufile.io instantly, no signup required...
https://ufile.io/6kc2m0vl

Upload files for free - lightbulb\_challenge.zip - ufile.io
Download lightbulb\_challenge.zip for free from ufile.io instantly, no signup required...
https://ufile.io/ykfjhe2k

Upload files for free - lightbulb\_challenge.zip - ufile.io
Download lightbulb\_challenge.zip for free from ufile.io instantly, no signup required...
https://ufile.io/zywygnkl

Upload files for free - lightbulb\_challenge.zip - ufile.io
Download lightbulb\_challenge.zip for free from ufile.io instantly, no signup required...
https://ufile.io/wguhjbs2

Messages

M L Nov 26
I don't see how this constitutes lies. High...

Yanky Z Nov 23, 2022
It won't be easy to answer any questions at your...

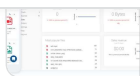
Ayhan Arican Sep 28, 2022
I agree...


Franco Bruno Aug 5, 2022
Corteletti
I just had a posting removed deemed to be...


Tvrtko Jul 29, 2022
Rajcevic
Thank you for asking me to answer the question that...


Mitko Jul 28, 2022
Gorgievi
Thanks Vin :)





- 


Download lightbulb\_challenge.zip for free from ufile.io instantly, no signup required...  
<https://ufile.io/zx8d6xgn>
- 


**Upload files for free - lightbulb\_challenge.zip - ufile.io**  
 Download lightbulb\_challenge.zip for free from ufile.io instantly, no signup required...  
<https://ufile.io/jwrbnezn>
- 


**Upload files for free - lightbulb\_challenge.zip - ufile.io**  
 Download lightbulb\_challenge.zip for free from ufile.io instantly, no signup required...  
<https://ufile.io/aytumv71>
- 

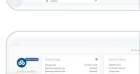
**Upload files for free - lightbulb\_challenge.zip - ufile.io**  
 Download lightbulb\_challenge.zip for free from ufile.io instantly, no signup required...  
<https://ufile.io/bif2k4x2>
- 


**Upload files for free - lightbulb\_challenge.zip - ufile.io**  
 Download lightbulb\_challenge.zip for free from ufile.io instantly, no signup required...  
<https://ufile.io/1jdi9hc>
- 

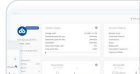
**Upload files for free - lightbulb\_challenge.zip - ufile.io**  
 Download lightbulb\_challenge.zip for free from ufile.io instantly, no signup required...  
<https://ufile.io/1rixavz>
- 

**Upload files for free - lightbulb\_challenge.zip - ufile.io**  
 Download lightbulb\_challenge.zip for free from ufile.io instantly, no signup required...  
<https://ufile.io/b3fz41hv>
- 

**Upload files for free - lightbulb\_challenge.zip - ufile.io**  
 Download lightbulb\_challenge.zip for free from ufile.io instantly, no signup required...  
<https://ufile.io/sw0fcy19>
- 

**Upload files for free - lightbulb\_challenge.zip - ufile.io**  
 Download lightbulb\_challenge.zip for free from ufile.io instantly, no signup required...  
<https://ufile.io/9vq1d6ap>
- 


**Upload files for free - lightbulb\_challenge.zip - ufile.io**  
 Download lightbulb\_challenge.zip for free from ufile.io instantly, no signup required...  
<https://ufile.io/h5pa0sbc>
- 


**Upload files for free - lightbulb\_challenge.zip - ufile.io**  
 Download lightbulb\_challenge.zip for free from ufile.io instantly, no signup required...  
<https://ufile.io/rvbbfii9>
- 


**Upload files for free - lightbulb\_challenge.zip - ufile.io**  
 Download lightbulb\_challenge.zip for free from ufile.io instantly, no signup required...  
<https://ufile.io/khzaqb29>


Upvote


Messages


- 

**M L** Nov 26  
 I don't see how this constitutes lies. High...
- 

**Yanky Z** Nov 23, 2022  
 It won't be easy to answer any questions at your...
- 

**Ayhan Arican** Sep 28, 2022  
 I agree...
- 

**Franco Bruno Corteletti** Aug 5, 2022  
 I just had a posting removed deemed to be...
- 

**Tvrtko Rajcevic** Jul 29, 2022  
 Thank you for asking me to answer the question that...
- 

**Mitko Gorgiev** Jul 28, 2022  
 Thanks Vin :)

**Upload files for free - lightbulb\_challenge.zip - ufile.io**  
 Download lightbulb\_challenge.zip for free from ufile.io instantly, no signup required...  
<https://ufile.io/hz5vfbam>

**Upload files for free - lightbulb\_challenge.zip - ufile.io**  
 Download lightbulb\_challenge.zip for free from ufile.io instantly, no signup required...  
<https://ufile.io/l4tgwm82>

**Upload files for free - lightbulb\_challenge.zip - ufile.io**  
 Download lightbulb\_challenge.zip for free from ufile.io instantly, no signup required...  
<https://ufile.io/pygmncu4>

**Upload files for free - lightbulb\_challenge.zip - ufile.io**  
 Download lightbulb\_challenge.zip for free from ufile.io instantly, no signup required...  
<https://ufile.io/c1e7qafc>

Here is the snip of Mark McKay talking about a Floating Flux Field (not to be confused with a floating flux capacitor) ...

<https://ufile.io/nf1bxlhd>

A bully can teach us a lot about free energy ...

**Upload files for free - The-bully-can-teach-us-a-lot-about-the-technology-behind-free-energy.mp3 - ufile.io**  
 Download The-bully-can-teach-us-a-lot-about-the-technology-behind-free-...  
<https://ufile.io/wvo7bnm2>

There is more than one way to get current to move in a coil of wire ...

**Upload files for free - There-is-more-than-one-way-to-get-current-to-move-in-a-copper-coil-and-produce-magnetism-to-run-our-electric-vehicle.mp3 - ufile.io**  
 Download There-is-more-than-one-way-to-get-current-to-move-in-a-copper-coil-...  
<https://ufile.io/v20it9iw>

104 views

Add a comment... Add comment

Upvote Downvote Comment Refresh More

### Measurements May Not Give Us Objectivity, Nor Accuracy, plus another Glaring Oversight I have Overlooked. Oops!

As good as [Mathew Crochet's](#) suggestion appears at first glance, it may not be possible to honor this request of his for two reasons.

The first reason was not brought up by Mathew, but was brought up by [Franco Bruno Cortelletti](#) several years ago. And I thought of it (again, after having forgotten about Franco's observation) upon awakening from a dream this morning which pointed this out, that: Joseph Newman's device was sabotaged when it was tested by the National Bureau of Standards when they shorted out his massive coil for its entire duty cycle – by connecting to this massive coil a small resistor from which they took measurements – rather than leaving it alone to short itself out merely during the latter 20% of its entire duty cycle.

This may make it impossible to take amperage measurements via an analog ammeter held closely to this circuit's coils since this will entangle itself with this circuit's magnetic fields and,

- Messages
- M L** Nov 26  
I don't see how this constitutes lies. High...
  - Yanky Z** Nov 23, 2022  
It won't be easy to answer any questions at your...
  - Ayhan Arican** Sep 28, 2022  
I agree...
  - Franco Bruno Cortelletti** Aug 5, 2022  
I just had a posting removed deemed to be...
  - Tvrtko Rajcevic** Jul 29, 2022  
Thank you for asking me to answer the question that...
  - Mitko Gorgiev** Jul 28, 2022  
Thanks Vin :)

Quora



result in this circuit exploding or becoming comatose.

The former possibility is more likely. I've seen this happen many times: I'll add a resistor to one or another of my overunity simulated experiments (or to this one) thinking what a smart boy am I only to be shocked with a sudden explosion of uncontrolled overunity.

They shamelessly admitted to their modifications,<sup>[1]</sup> in public ...

*Concerning the Patent Office, the National Bureau of Standards admits on their website that: The National Bureau of Standards provided the resistive load which was connected in parallel with the coil.<sup>[2]</sup> This is an example of current wanting to take the path of least resistance through a parallel load, bypassing the coil (of greater resistance than their test load) to a significant degree by cleverly self-shorting Newman's primary coil and prevent accumulation of HV. Had they performed their test as Newman advises in his book by wrapping a shorter length of secondary coil around the larger primary coil and placing the test load only inline with this secondary and isolated from the primary, then it's entirely possible that the NBS would have produced more accurate results and replicate Newman's. Then, the history of Newman and his motor would have read a bit differently than what transpired. – Vinyasi, 04:34, 2 January 2018 (UTC) <sup>[3]</sup>*

Their error made it impossible for his coil to double its voltage. Instead, its voltage remained the same as the input voltage which is the foundation of their report to the court since Newman was suing the Bureau and, hence, lost his case.

Yet, Newman never gave them his overunity version; so, he had little reason to complain.

The overunity version he reserved for public demonstrations. The version he gave them for testing was his prior underunity version which he had invented on his own without Byron Brubaker's assistance and advice which was to replace his central rotating permanent magnets with a PVC encasement of helium and wrap this dielectric (and electret?) vessel with an open coil which was not connected to anything. Newman protected his "secret" by not allowing anyone to hand crank his device from a cold start lest they discover that the central objects were not solid permanent magnets after all, but were light-weight canisters of helium!<sup>[4]</sup>

He, also, never publicly gave Byron any credit claiming, instead, that God had given Newman this invention.

Well, ...

That's partly true and partly false. But, mostly, it's false since only the second version – coming from Byron – is the significant variety since that one is overunity while Newman's variety is not.

The second reason contradicts Mathew's suggestion to make all of the components of replication visible to the observer so as to prevent the addition of any "hidden batteries" and the like.

But, ...

If my speculation is true that the three mutual inductances of the five coils of this circuit will run the risk of their not being in sync with each other if they are not surrounded by a grounded "flux capacitor", then it may become impossible to expose this circuit from all directions since it will be totally enclosed with an exterior conductive plate of this type of capacitor.

Under these circumstances, maybe it is possible to get away with exposing at least one face of a rectangular dielectric/electret block of solid epoxy (or the like) by not covering this one face with a conductive sheet, or film or leaf, of aluminum? (*another speculation*)

For these reasons, the use of a 100-watt light bulb may be the *only* method for testing this circuit along with its replication by many individuals?

Although replication by several individuals is fallacious since it appeals to common sense (Wikipedia's approach more often than not and one of the five major fallacies of logic), nonetheless, we'll have to make do until physics comes onboard with us on this quest. *Don't hold your breath!*

Oops!, ...

Appeal to our belief in physics is another (major) fallacy in that it is an appeal to authority!

Maybe Socrates is right when he said, "The wise man is wise because he knows that he doesn't know anything."

## Messages



M L

Nov 26

I don't see how this constitutes lies. High...



Yanky Z

Nov 23, 2022

It won't be easy to answer any questions at your...



Ayhan Arican

Sep 28, 2022

I agree...



Franco Bruno

Aug 5, 2022

Corteletti  
I just had a posting removed deemed to be...



Tvrtko

Rajcevic

Jul 29, 2022

Thank you for asking me to answer the question that...



Mitko

Gorgiev

Jul 28, 2022

Thanks Vin :)

- [2] Newman Energy Machine: Introduction
  - [3] User talk:Vinyasi - Wikipedia
  - [4] Vin Yasi's answer to Has anyone tried to recreate Joseph Newman's perpetual motion machine?
- 110 views

Add a comment... Add comment

Upvote, 1 comment, More options

At first, this appears to be a "wise crack". But it's actually useful since it accentuates a useful principle, the principle of synchronicity in an overunity circuit which I point out in my comment below his post.

**C Get Smart**  
MSEE in Electrical Engineering & Communications (TV Broadcasting), California State University, Los Angeles (Graduated 1999) · May 17

**Can real power input be supplemented with reactive power output derived from the chemical bonds which hold the atoms (of a circuit) together up to the limit of their tolerance before disintegration takes place?**

Not without the proper flux capacitor. These are as rare as unobtainium.

22 views · 1 upvote · 1 share · 1 comment

98 views

Add a comment... Add comment

Vin Yasi · May 18

Originally, I had a paragraph mentioning how "flux capacitors" was cited within the movie called, Back to the Future (which is probably what you're alluding to?) ...

[Older version of my post: Coaxial Encasement of Project Box \(formerly known as, Aluminum vs Iron\)](#)

I removed this reference since it's not what Mark is talking about and it doesn't tell us anything useful. Which is what your comment leads us to if not for my having already mentioned it by way of referring to Mark McKay's little talk ...



In other words, the correct quotation of Mark concerning a "floating flux field" is useful for synchronizing the various coils of an overunity circuit so that triangular waves can manifest whose phase of voltage is one-half cycle out-of-phase with current fulfilling the passive sign convention's definition of the generation of power (but, in this case) without the assistance of any significant prime mover since this type of anomaly only occurs under conditions of starvation ...

[https://www.researchgate.net/publication/324978006\\_Low\\_Frequency\\_Oscillations\\_in\\_Indian\\_Grid](https://www.researchgate.net/publication/324978006_Low_Frequency_Oscillations_in_Indian_Grid)

- Messages
- M L** Nov 26  
I don't see how this constitutes lies. High...
  - Yanky Z** Nov 23, 2022  
It won't be easy to answer any questions at your...
  - Ayhan Arican** Sep 28, 2022  
I agree...
  - Franco Bruno Corteletti** Aug 5, 2022  
I just had a posting removed deemed to be...
  - Tvrtko Rajcevic** Jul 29, 2022  
Thank you for asking me to answer the question that...
  - Mitko Gorgiev** Jul 28, 2022  
Thanks Vin :)

Cancel Update

You upvoted this

Upvote - 1, 1, 1

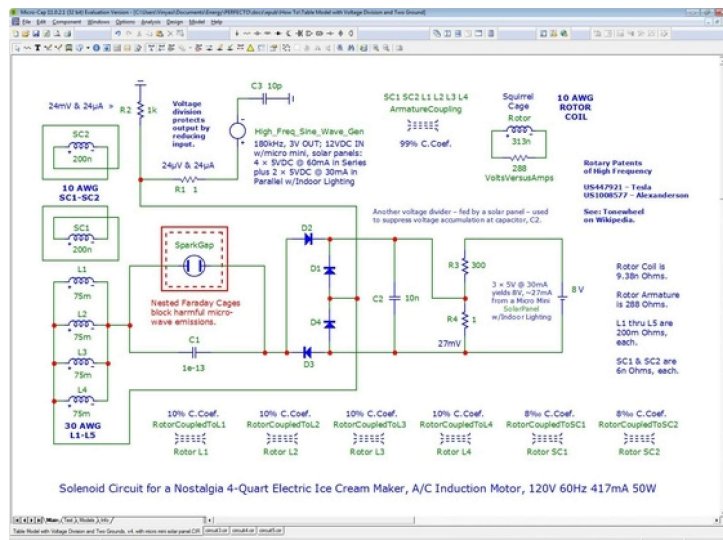
terminal.

142 views · View 1 upvote · Submission accepted by Vin Yasi

Add a comment... Add comment

Vin Yasi · May 16 Thank you for asking.

Your disbelief is justifiable by populist standards, not be conventional motor design standards, since the layperson doesn't consider a coil to be useful if it is shorted to itself. Yet, starter coils on single-phase A/C induction motors possess these very same coils with the significant feature of their not being connected to any circuitry. Instead, they exclusively get their energy from the laminated iron armature (in which they surround and are embedded within) via mutual inductance. Some of my variations of this basic theme of three mutual inductances (related to the Golden Ratio) do not possess any electrical connection, at all, to these "starter coils", relying (instead) upon their exclusive magnetic interactions with the three other coils of this five coil design...

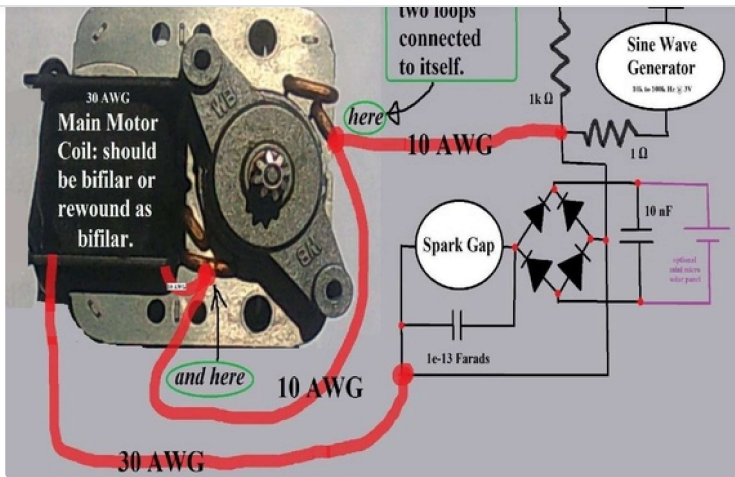


The screenshot, above, occurs on page 101 of the same text, which is linked to, below.

Check out this photograph I took of this type of motor removed from an ice cream maker...

- M L** Nov 26  
I don't see how this constitutes lies. High...
- Yanky Z** Nov 23, 2022  
It won't be easy to answer any questions at your...
- Ayhan Arican** Sep 28, 2022  
I agree...
- Franco Bruno Corteletti** Aug 5, 2022  
I just had a posting removed deemed to be...
- Tvrtko Rajcevic** Jul 29, 2022  
Thank you for asking me to answer the question that...
- Mitko Gorgiev** Jul 28, 2022  
Thanks Vin ;)





### Nostalgia 4-Quart Electric Ice Cream Maker at DuckDuckGo

You are being redirected to the non-JavaScript site. Click here if it doesn't happen...  
<https://duckduckgo.com/?q=Nostalgia+4-Quart+Electric+Ice+Cream+Maker&t=ffsb&ia=...>

I made these screenshots a few years ago. This modified motor appears on page 60 of this text...

<http://vinyasi.info/patent/Extending%20the%20Range%20of%20Electric%20Vehicles%20by%20Maximizing%20their%20Amp-Hours.pdf> — is also available on Amazon, at: [Extending the Range of Electric Vehicles by Maximizing their Amp-Hours.: Electrical transients are a renewable source of pollution-free energy.](#)

This image of a modified motor design immediately precedes page 61 from which I derived this present light bulb challenge with only a few minor modifications to boost up its power to accommodate the amperage requirements of a 100-watt light bulb.

Again, many thanks for asking. This is a very important distinction which you have brought to our attention.

Reply

Fran Wallace upvoted this

Upvote - 1

*The Flow of Karma is the Flow of Energy, for  
Karma is Energy. Yet, Intelligence flows in a  
Direction which is Opposed to the Flow of Karma!*

The direction of the flow of karma/energy is opposite to the direction of intelligence. This creates balance. Nature abhors any imbalance and will not sustain it forever.

Alcoholics are conspicuous about their over-consumption of calories devoid of nutrients. In fact, alcoholics are well-known for their conspicuous "beer belly" since they consume no nutrients to satisfy their consumption and stop short of over-indulgence.

So, it may be said of alcoholics that they are proverbial "prana suckers" in that they voraciously consume energy in the form of empty calories.

But they also export all of their intelligence stimulating and endorsing a greater intelligence within everyone whom they meet while depleting themselves of their own, innate intelligence. This is why it is so easy to be snooty and look down our proverbial noses at any alcoholic whom we befriend or are related to. Yet, we depend upon them for upgrading our intelligence from whatever state of mediocrity in which we find ourselves quagmired.

Messages

- M L Nov 26  
I don't see how this constitutes lies. High...
- Yanky Z Nov 23, 2022  
It won't be easy to answer any questions at your...
- Ayhan Arican Sep 28, 2022  
I agree...
- Franco Bruno Aug 5, 2022  
Corteletti  
I just had a posting removed deemed to be...
- Tvrtko Rajcevic Jul 29, 2022  
Thank you for asking me to answer the question that...
- Mitko Gorgiev Jul 28, 2022  
Thanks Vin :)

Quora



Without current, wattage will fail to arise. Without wattage, energy will not materialize.

Instead, all we'll have is an electrostatic field without change.

So, current represents the change which occurs within an electrostatic field over time.

Most forms of iron are magnetizable in that they suck magnetism into themselves and can retain it, indefinitely (called, magnetic remanence or simply remanence).

But, aluminum does the opposite: it reflects magnetic fields (outwardly) away from themselves.

Copper is proficient at reacting to energy, giving us reactive power, rather than trying to consolidate and retain it (in iron) or reflect it (with aluminum).

We are already familiar with the importance of our use of copper within our circuitry since we almost exclusively make use of it within all of our winding wire for coils and straight-lengths of wire for the transmission of energy.

And we are already familiar with the significance of iron since we use it as the core material for our transformers and for many types of magnets.

But we're not too familiar with the use of aluminum unless we're into radio and appreciate a good antenna.

Electronic simulators have at least one salient feature which physical reality does not automatically possess: they synchronize the behavior of all of the components within a circuit in temporal alignment with the computer's clock.

This synchronicity is very important. Without it, "free energy" cannot materialize in the format to which I have become familiar. This format is composed of triangle waves whose waves of voltage are one-half cycle out-of-phase with its waves of amperage converting this type of circuitry into a generator of energy in which all of these waves possess no delayed response among the various components of a "free energy circuit".

The use of aluminum as an inner lining within the project box of a "free energy" circuit is twofold: it can lessen the circuit's impact upon its environment by reducing the possibility for creating radio interference by internalizing its projection of an electrostatic field since these types of circuits tend to manifest an excessive nodal voltage. But the use of aluminum as an inner lining to a circuit's project box can also synchronize the timing of the behavior of all of the components of this circuit, especially the behavior of its coils.

Coils tend to "do their own thing" whenever they feel like it due to the tendency of coils to exhibit back EMF. This sense of self-determination among coils can undermine this type of circuit (which I am promoting within this 100 Watt Light Bulb Challenge) since this type of circuit produces all of its "free energy" outside of its components in the magnetic and electrostatic fields which are shared among a set of five coils grouped into three sets of mutual inductances derived from the Golden Ratio.

So, although the circuit of this Challenge is not strong enough to project any appreciable radio interference, it still requires synchronicity among its magnetically coupled coils or "free energy" will remain a pipe-dream.

This may be why there is a rumor, floating around the Internet, that Nikola Tesla may have invented something which has become known as: Tesla's TriMetal Generator? Perhaps...

In any case, we can make use of the benefits of aluminum so as to ensure our success.

I first stumbled upon this use of aluminum when I designed my "Earthing Enhancement" device<sup>[1]</sup> (back in 2014) in which I surrounded an iron cored, copper-wound coil with a layer of Saran Static-Cling Wrap (used for food storage) followed by an outermost layer of aluminum foil.<sup>[2]</sup> This had the benefit of intensifying the stimulating quality of my sleep while I was electrically connected to the Earth during the night (called, Earthing)<sup>[3]</sup> so much so that I had to disconnect my device from my Earthing bedsheet and spend this tremendous energy (which my body had acquired) through intense activity for several hours before being able to relax enough to go to sleep.

To prevent this problem from ruining my sleep upon subsequent nights, I determined that I needed to place a greater depth of dielectric material underneath the outer layer of aluminum.

Messages



M L

Nov 26

I don't see how this constitutes lies. High...



Yanky Z

Nov 23, 2022

It won't be easy to answer any questions at your...



Ayhan Arican

Sep 28, 2022

I agree...



Franco Bruno

Aug 5, 2022

Corteletti  
I just had a posting removed deemed to be...



Tvrtko

Jul 29, 2022

Rajcevic

Thank you for asking me to answer the question that...



Mitko

Jul 28, 2022

Gorgiev

Thanks Vin :)



## Messages



M L

Nov 26

I don't see how this constitutes lies. High...



Yanky Z

Nov 23, 2022

It won't be easy to answer any questions at your...



Ayhan Arican

Sep 28, 2022

I agree...



Franco Bruno

Aug 5, 2022

I just had a posting removed deemed to be...



Tvrtko Rajcevic

Jul 29, 2022

Thank you for asking me to answer the question that...



Mitko Gorgiev

Jul 28, 2022

Thanks Vin :)

But in this challenge/exercise, I suspect that it is best to minimize the capacitance of this layer (which surrounds this circuit) by keeping the thickness of the dielectric (underneath the aluminum) as thick as is possible (as reported by Mark McKay in the footnote, below).

Surrounding a winding with a combination of an electret and a dielectric has been described by Mark McKay<sup>[4]</sup> citing Delrin,<sup>[5]</sup> Teflon, and Tesla's favorite mixture was to mix equal parts beeswax and pine rosin plus 5% carnauba wax and stuff cotton cloth into the gaps between his coil's windings and paint this cotton canvas with this electret/dielectric mixture to "enhance" its energetic behavior.

Mark McKay also describes how this technique was also used by Richard Hackenberger in his post FCC-raid development of the motor of Edwin Gray.<sup>[6]</sup>

Tesla may have withheld this "secret" from us resulting in our collective ignorance of converting Mark McKay's description of a "floating flux capacitor" into a "flux capacitor" by sealing this type of circuit with a single block of a material that combines the properties of a dielectric and an electret and by immersing this circuit into this liquid goop before it hardens into a solid block. **Most importantly**, the underside of the project box, within which this circuit is to be contained, is lined with an aluminum leaf or foil or sheeting which is connected to an aerial or to ground (a common ground or Earth ground).

BTW, tin foil leaf was invented and came into commercial use during the latter half of the 19th century.

These may be the reasons for the wooden box used during Tesla's 1931 Pierce-Arrow demonstration.

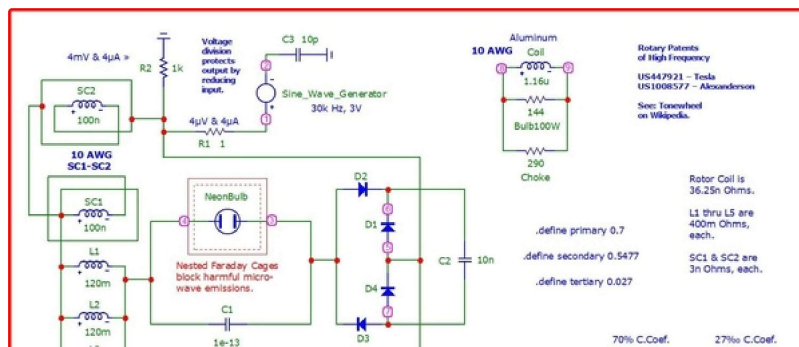
In contradistinction to this advice...

Within my simulation (which demonstrates this suggestion), I must use a unique capacitor for each node of the circuit rather than use a single capacitor surrounding the entire circuit.

But this is not a discrepancy from my advice. This is merely to accommodate the peculiarities of the simulator which will synchronize the behavior of all components with the computer's clock.

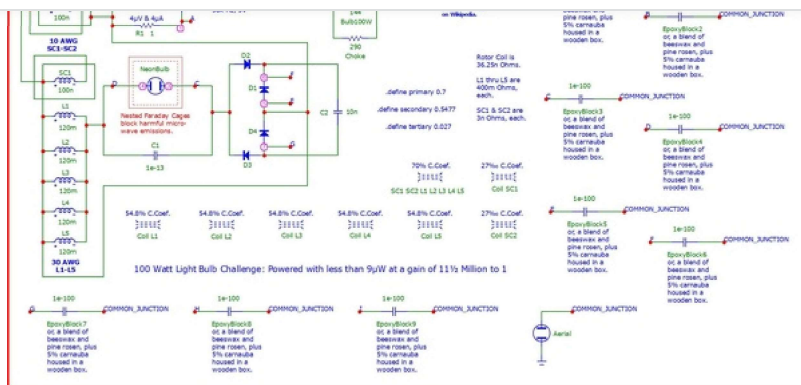
My suggestion is to build it with a singular capacitance (not the simulator's equivalent version of multiple capacitances). Build it with a single, unifying capacitor plate, by imagining (in your mental picture of this advice) that all of my simulated capacitances which serve as a barrier between each node of this circuit and the outer environment which are collectively (in physical reality) one conductive plate of aluminum which is grounded to the air, or to the Earth, or to a large metallic object (which, in itself, will act as an aerial). All of the numerous coils will become dynamic in solidarity with each other as the inner plate which is opposed to this outer aluminum film. And the insulation on those coils, plus the electret/dielectric goop surrounding this circuit, will be the electret/dielectric of this singular capacitance.

Nodal numbers...

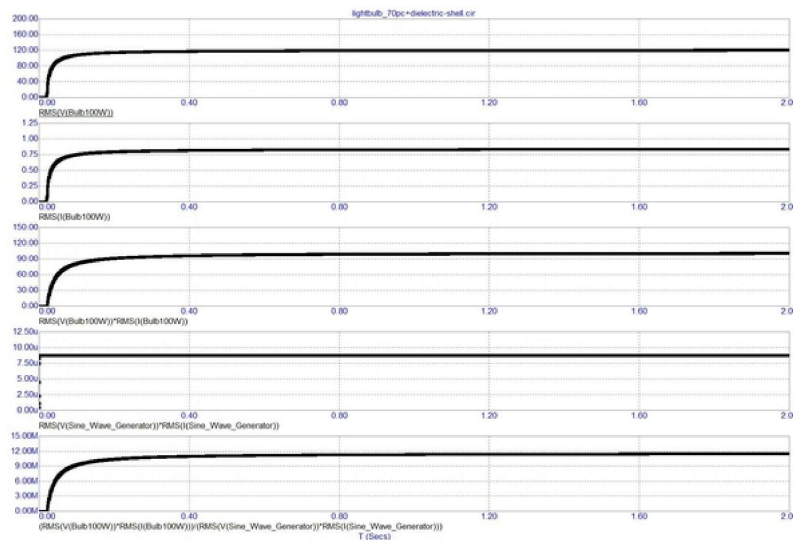


These nodal numbers mark the several locations where I will connect this circuit to a set of capacitances, all of whom represent a single conductive outer plate of a capacitor which synchronizes all of its inner plates which are represented by these nodes.

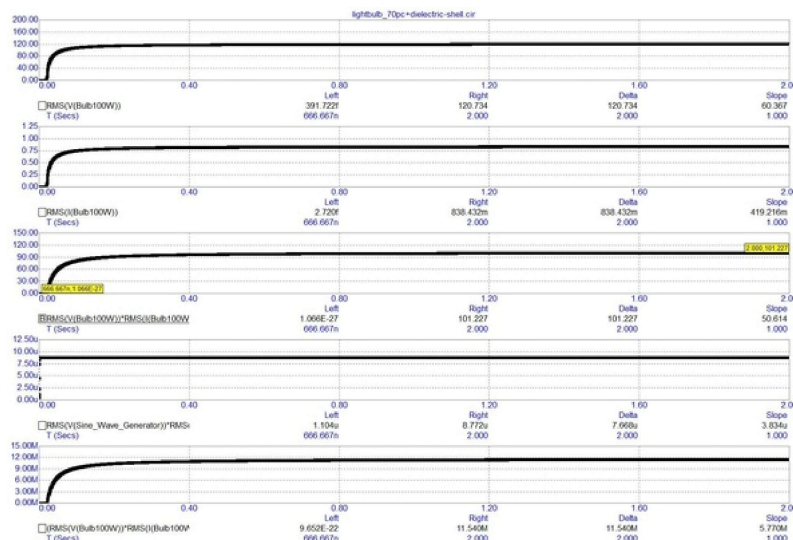
Schematic...



Graphical output...



The numeric data for output...



...is slightly elevated in comparison to without this electret/dielectric encasement...

Messages

**M L** Nov 26  
I don't see how this constitutes lies. High...

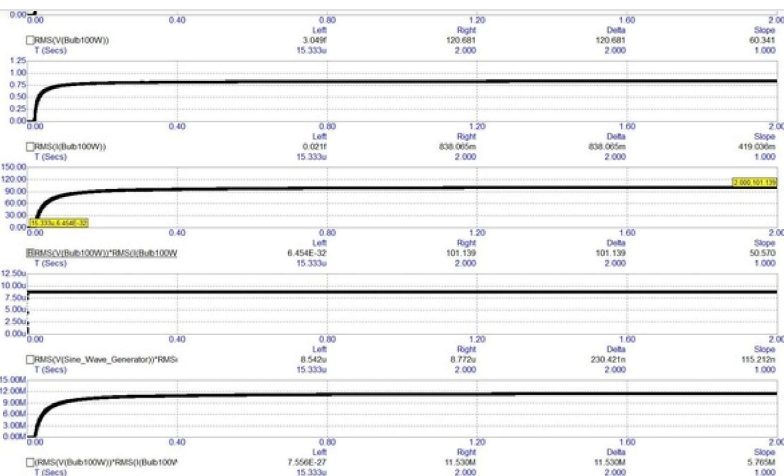
**Yanky Z** Nov 23, 2022  
It won't be easy to answer any questions at your...

**Ayhan Arican** Sep 28, 2022  
I agree...

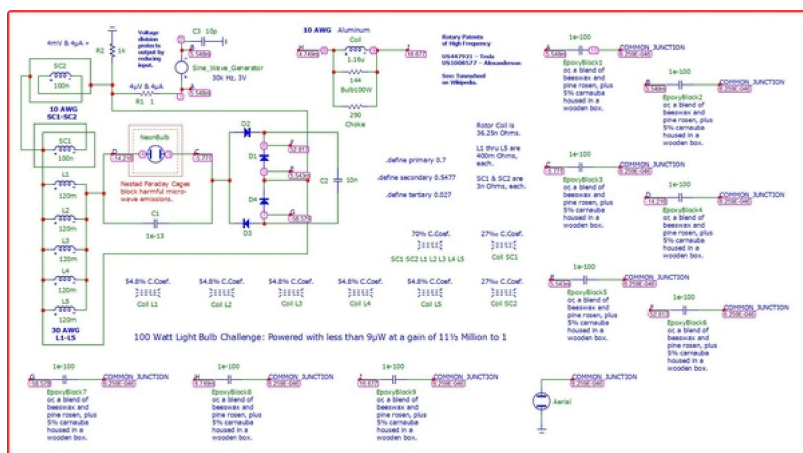
**Franco Bruno Corteletti** Aug 5, 2022  
I just had a posting removed deemed to be...

**Tvrtko Rajcevic** Jul 29, 2022  
Thank you for asking me to answer the question that...

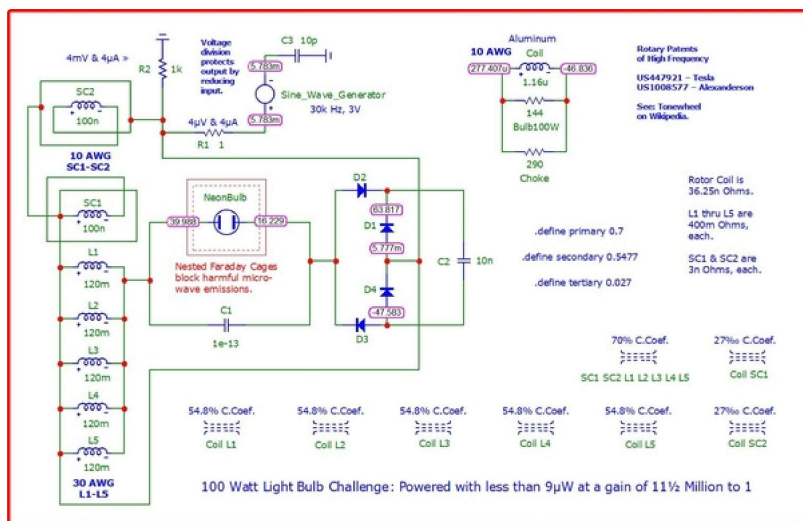
**Mitko Gorgiev** Jul 28, 2022  
Thanks Vin ;)



Nodal voltages...



...compared to without this eletret/dielectric encasement...



Footnotes

- [1] An 'Earthing Life!' is a Life Grounded to the Earth, Either Through our Two Feet, or Through an Earthing Appliance
- [2] Image on earthinglife.info
- [3] Earthing® & Grounding Products
- [4] <https://www.youtube.com/embed/f-M0xKQTHdw?start=924&end=1430>
- [5] Brave Search

Messages

**M L** Nov 26  
I don't see how this constitutes lies. High...

**Yanky Z** Nov 23, 2022  
It won't be easy to answer any questions at your...

**Ayhan Arican** Sep 28, 2022  
I agree...

**Franco Bruno Corteletti** Aug 5, 2022  
I just had a posting removed deemed to be...

**Tvrtko Rajcevic** Jul 29, 2022  
Thank you for asking me to answer the question that...

**Mitko Gorgiev** Jul 28, 2022  
Thanks Vin ;)

136 views · View 1 upvote

Add a comment... Add comment

Matthew Crochet upvoted this

Upvote - 1, 2 comments

Please make a video documenting how to build your replication and talk to us — or use silent text on top of or in between scenes — demonstrating each of the steps for its construction. Please include a parts list and what tools were used and submit its YouTube/Vimeo/etc link to here for posting. Thank you.

133 views · View 1 upvote

Add a comment... Add comment

Matthew Crochet · May 16
Credibility will only be awarded to those who bear the burden of proof well, like by replacing wood with clear acrylic when possible and inspecting all angles with cinematic slow camera movements to prove no hidden batteries or inlet power cables. 😊

1 upvote, Reply

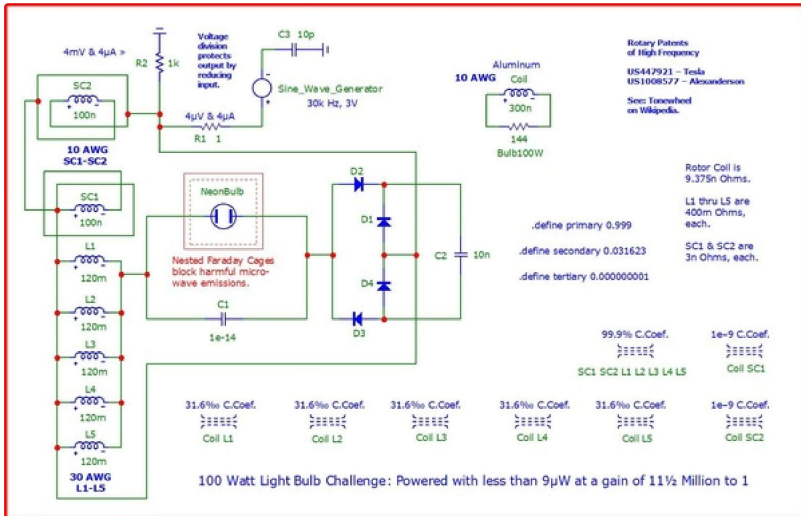
Vin Yasi · May 18
Measurements May Not Give Us Objectivity, Nor Accuracy, plus another Glaring Oversight I have Overlooked. Oops!

Reply

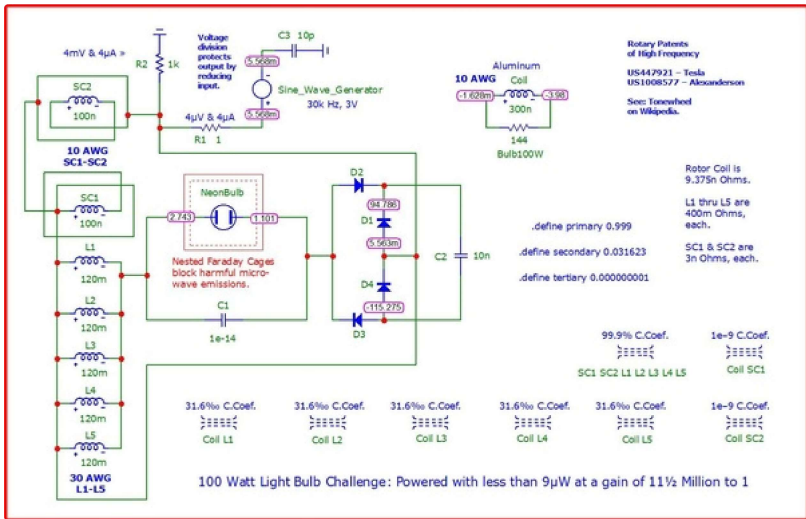
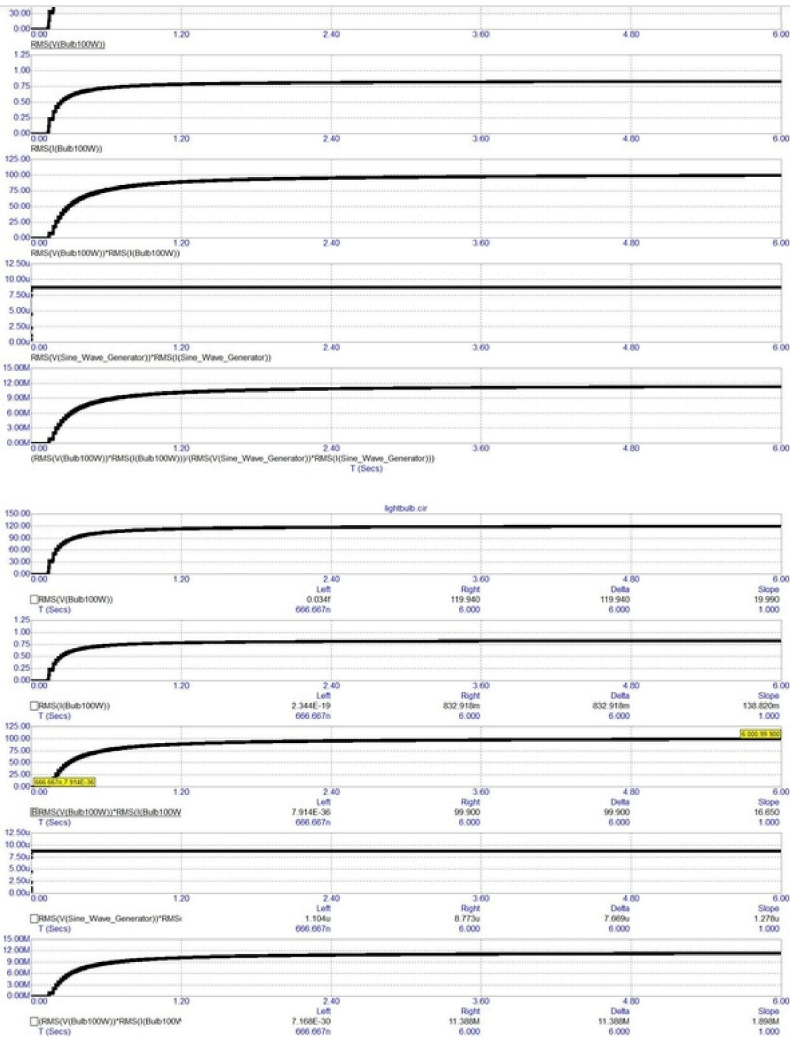
Matthew Crochet, Vasi Vasy, Samantha Feinberg and 1 more upvoted this

Upvote · 4, comments

Million to 1.

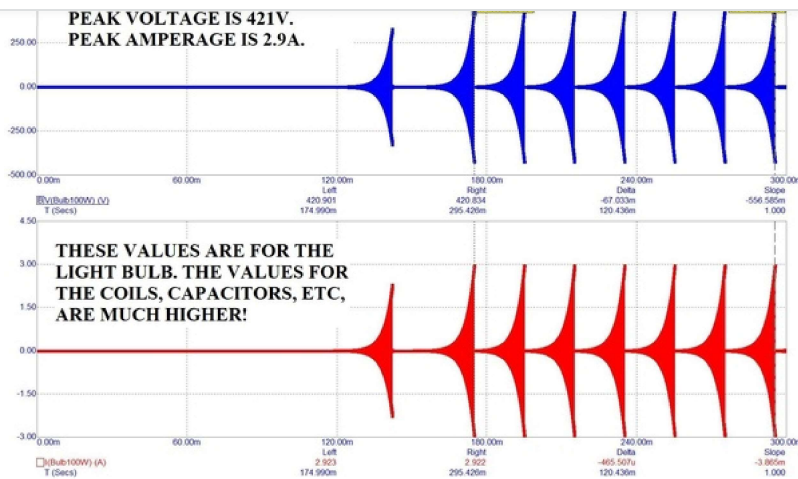


- Messages
- M L Nov 26: I don't see how this constitutes lies. High...
  - Yanky Z Nov 23, 2022: It won't be easy to answer any questions at your...
  - Ayhan Arican Sep 28, 2022: I agree...
  - Franco Bruno Aug 5, 2022: I just had a posting removed deemed to be...
  - Tvrtko Rajcevic Jul 29, 2022: Thank you for asking me to answer the question that...
  - Mitko Gorgiev Jul 28, 2022: Thanks Vin ;)



Messages

- M L** Nov 26  
I don't see how this constitutes lies. High...
- Yanky Z** Nov 23, 2022  
It won't be easy to answer any questions at your...
- Ayhan Arican** Sep 28, 2022  
I agree...
- Franco Bruno Corteletti** Aug 5, 2022  
I just had a posting removed deemed to be...
- Tvrtko Rajcevic** Jul 29, 2022  
Thank you for asking me to answer the question that...
- Mitko Gorgiev** Jul 28, 2022  
Thanks Vin :)



### Explanation

Convention dictates that reactive power output always equals real power input predicated upon the presumption that energy is conserved. Yet, reactance is not energy!

Reactive power (the VARs of reactance) arises from the valence electron volts which binds atoms together creating objects that we can see and touch, for instance: a coil of wire.

Reactive power output closely equals real power input only if the input is high enough to suppress the over-reactance of negative impedance in which the circuit begins to generate more power than its input. This type of surge can escalate at an exponential rate and destroy equipment if not checked by a periodic collapse.

Using the magic of proportional relationships which reflect the properties of the Golden Ratio, it is possible to integrate a set of coils using mathematically precise magnetic couplings and protect the circuit from runaway explosions within a narrow window of delicate balances involving all of the parameters of design (input frequency, self-inductances, etc).

1. Choose a magnetic coupling less than 100% and greater than or equal to the Golden Ratio of 61.8%. In this example, above, I chose to use a primary coupling of 99.9% for the purposes of this demonstration which is simulated<sup>[1]</sup> in Micro-Cap 12.<sup>[2]</sup>
2. For a secondary coupling, subtract the primary coupling from 100% and take its square root. In this case, 31.6% becomes the secondary coupling.
3. For the third coupling, subtract the primary coupling from 100% and raise it to the cube power. Tweak if necessary. In this example, it is: one nano (1e-9).

**WARNING: THIS TYPE OF CIRCUIT CAN EXPLODE JUST AS EASILY AS IT CAN BECOME COMATOSE DEPENDING UPON ON ALL OF THE PARAMETERS. THESE SIMULATIONS MAY NOT BE ACCURATE AT REPRESENTING PHYSICAL REALITY. BEWARE!**

The simplest method of utilizing the useless (lossless) power of reactance is to pass it through a resistive load, such as: a 100-watt incandescent light bulb (suggested in this challenge) and, thus, convert it into real power after it has already been amplified via electrical and magnetic reactances.

This is the proverbial "quarterback end run" of overunity. Don't try to contradict Conservation of Energy when it is so much easier to expand or contract reactive power under conditions of input starvation.<sup>[3]</sup>

### Footnotes

[1] Upload files for free - lightbulb\_challenge.zip - ufile.io [↗](#)

[2] MicroCap 12 (12.2.0.5) : Spectrum Software : Free Download, Borrow, and Streaming : [Internet Archive](#) [↗](#)

[3] The Relativity of Energy and the Reversal of Time is a Shift in Perspective [↗](#)

350 views · View 4 upvotes

### Messages



**M L** Nov 26  
I don't see how this constitutes lies. High...



**Yanky Z** Nov 23, 2022  
It won't be easy to answer any questions at your...



**Ayhan Arican** Sep 28, 2022  
I agree...



**Franco Bruno** Aug 5, 2022  
**Corteletti**  
I just had a posting removed deemed to be...



**Tvrtko** Jul 29, 2022  
**Rajcevic**  
Thank you for asking me to answer the question that...



**Mitko** Jul 28, 2022  
**Gorgiev**  
Thanks Vin :)



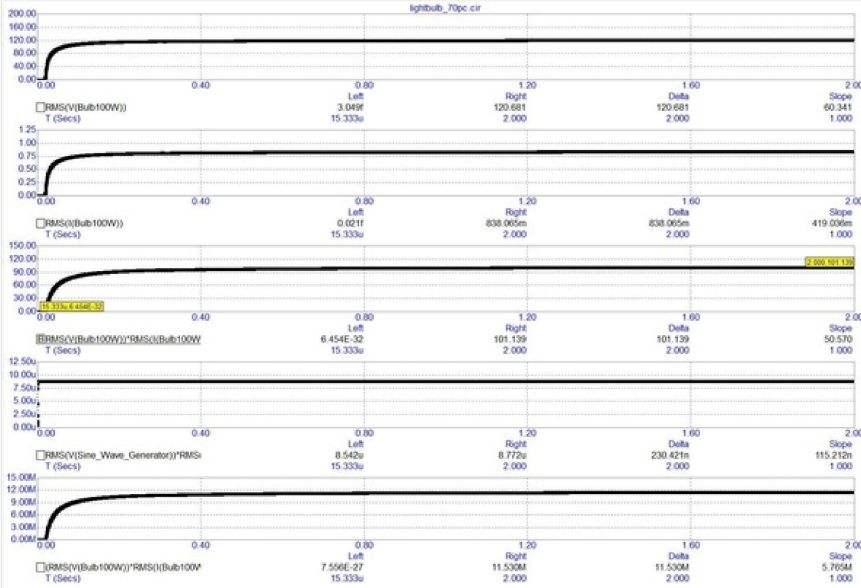


Vin Yasi

Self-taught hobbyist at Electrical Engineering (2013–present) · Updated May 18

### Varying the Mutual Inductances

Modifying the primary coupling to be 70% (rather than 99.9%), and keeping every other parameter the same, will automatically require modification to the secondary and tertiary couplings. It will also require a decrease of inductance at the aluminum coil plus the addi (more)



Upvote

### Messages

M L Nov 26  
I don't see how this constitutes lies. High...

Yanky Z Nov 23, 2022  
It won't be easy to answer any questions at your...

Ayhan Arican Sep 28, 2022  
I agree...

Franco Bruno Aug 5, 2022  
Corteletti  
I just had a posting removed deemed to be...

Tvrtko Jul 29, 2022  
Rajcevic  
Thank you for asking me to answer the question that...

Mitko Jul 28, 2022  
Gorgiev  
Thanks Vin ;)